

Product Specification of:

O₂ - Medical Sensor:

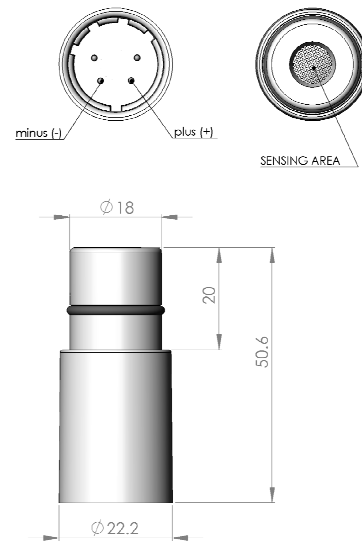
Type: SS-05

Part. No.:

Key Features: High output voltage cell featuring low cross interferences to anesthesia gases combined with superior linearity over the entire range

All characteristics are based on conditions at 25°C, 50% RH and 1013 hPa

Electrical Connector:	4-pin male socket
Measurement Range:	0 to 100 Vol.%
Nominal Sensor Life:	> 500, 000 Vol.% h
Expected Operating Life:	< 3 years @ ambient air
Output Signal:	250 to 650 nA @ dry ambient air
Response Time t_{90} :	< 15 s
Drift:	± 1.5 % volume O ₂ / month @ air
Operating Temperature:	0 to 40°C
Linearity Error:	≤ 5% @ 100% O ₂ applied for 5 min
Repeatability:	± 1% volume O ₂ @ 100% O ₂ , applied for 5 min
Influence of Humidity:	-0.03% rel. O ₂ reading per % RH
Temperature Compensation:	NTC
Warm-Up Time:	< 30 s
Interferences:	according to DIN EN 12598 and ISO 7767
Weight:	approximately 26 g
Housing Colour:	white
Material in contact with media:	PVC, PTFE, stainless steel



Tolerance: ± 0.15 mm

Storage Conditions

Temperature Range:	recommended: 5 to 30°C
	maximum: - 20 to 50°C
Humidity:	up to 100% RH
Shelf Life:	< 4 months
Warranty Period:	12 months