

Touchless Mop System



Don't Touch a Dirty Microfiber Pad Again!

The Touchless Mop System is the smartest patented microfiber mopping tool for easy touch-free pad pick-up and touch-free pad POP off!

The innovative pump action handle ejects the used microfiber pad from the mop head for convenient collection and reduces the risk of contamination.

The Touchless Mop System makes cleaning easier and more efficient, leaving the dirty work behind.

Touchless Mop System

- Lightweight and agile, with a full 360° swivel head
- Strong molded hooks hold microfiber pads in place
- Works with large 16 or 18" microfiber pads
- Telescopic Handle extends from 49-63" and features ColorFlags for HACCP Compliance

ITEM #	DESCRIPTION	CS PK	CS CB	WT LBS
TFMH-15	Touchless Microfiber Mop System	4	2.15	8.93

For more information, contact O'Dell at 800.342.2843 or sales@odellcorp.com
Visit www.odellcorp.com for more product information.

O'Dell Corporation | PO Box 540 | Ware Shoals, SC 29692 Ph: 800.342.2843 | F: 800.445.1533

Printed on recycled paper with low VOC vegetable-based inks.



100% Green Power Supplied



#TFMH-15

Touchless
Mop
System

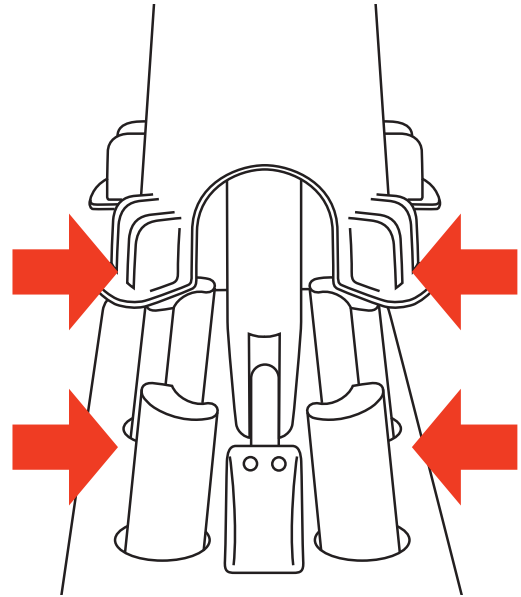
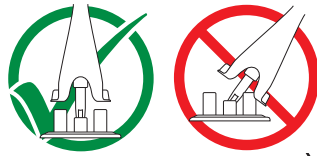


Touchless Mop System Instructions

To remove the used microfiber pad from your new Touchless Mop System follow these steps:

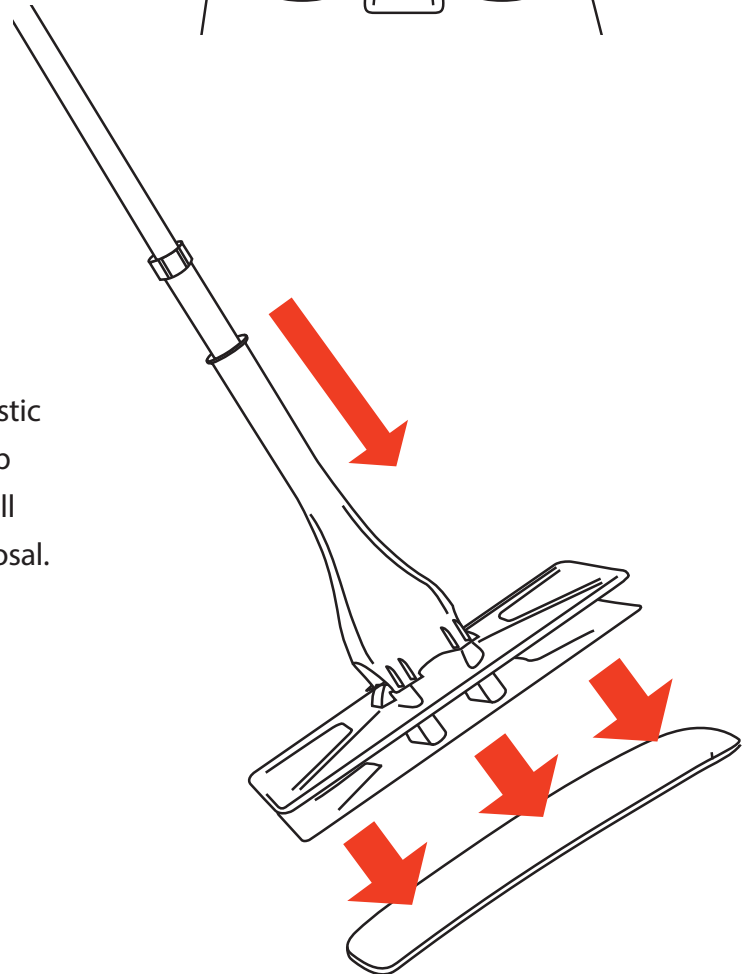
Step 1

After cleaning with your Touchless Mop system align the plastic housing on the handle to the 4 contact posts on the mop head.



Step 2

Once the housing is aligned to the 4 posts, push down on the plastic housing, using a pump action, and the pad will POP off for quick disposal.



Ware Shoals, SC | USA
W. www.odellcorp.com
E. custserv@odellcorp.com
T. 800.342.2843
F. 800.445.1533

