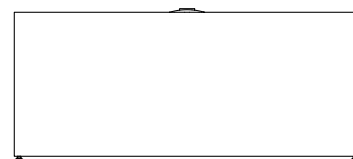
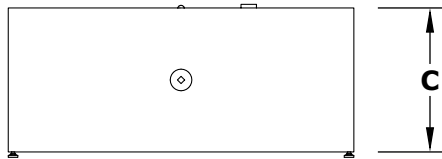
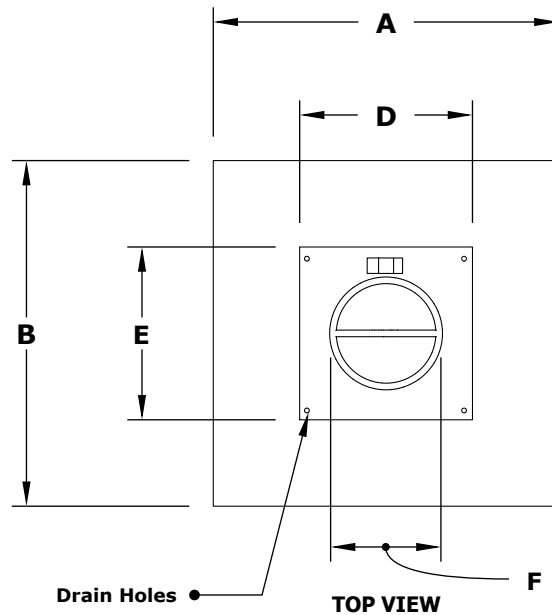
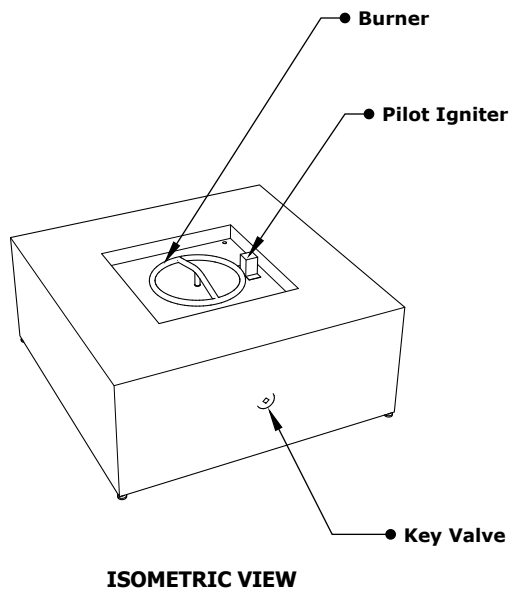


QUAD METAL FIRE PIT

Hammered Copper, Corten Steel, Stainless Steel, Powder Coat



Hammered Copper	Corten Steel	Stainless Steel	Powder Coat	A	B	C	D	E	F	BTU
OPT-QDCPR36	OPT-QDCS36	OPT-QDSS36	OPT-QDPC36	36"	36"	15"	18"	18"	12"	65,000
OPT-QDCPR42	OPT-QDCS42	OPT-QDSS42	OPT-QDPC42	42"	42"	15"	24"	24"	18"	65,000

Fire Pit Material: Various Metals
Pan Material: 304 Stainless Steel
Burner Material: 304 Stainless Steel

Standard 2" Depth on all pans

110V ELECTRONIC IGNITION

ANSI Z21.97-(2017) / CSA 2.41-(2017)



Match Lit Unit Includes: Pan, Burner, Gas Orifice, Gas Hoses, Key Valve, Key,

110v Ignition Unit Includes: Pan, Burner, Gas Orifice, Gas Hoses, Key Valve, Key, Plug & Play Electronic Valve, Pilot Igniter.

Proprietary & Confidential: The information contained in this drawing is the sole property of **The Outdoor Plus**. Any reproduction or as a whole without written permission of **The Outdoor Plus** is prohibited.