

FIG. A - PLAN VIEW CUT-OUT

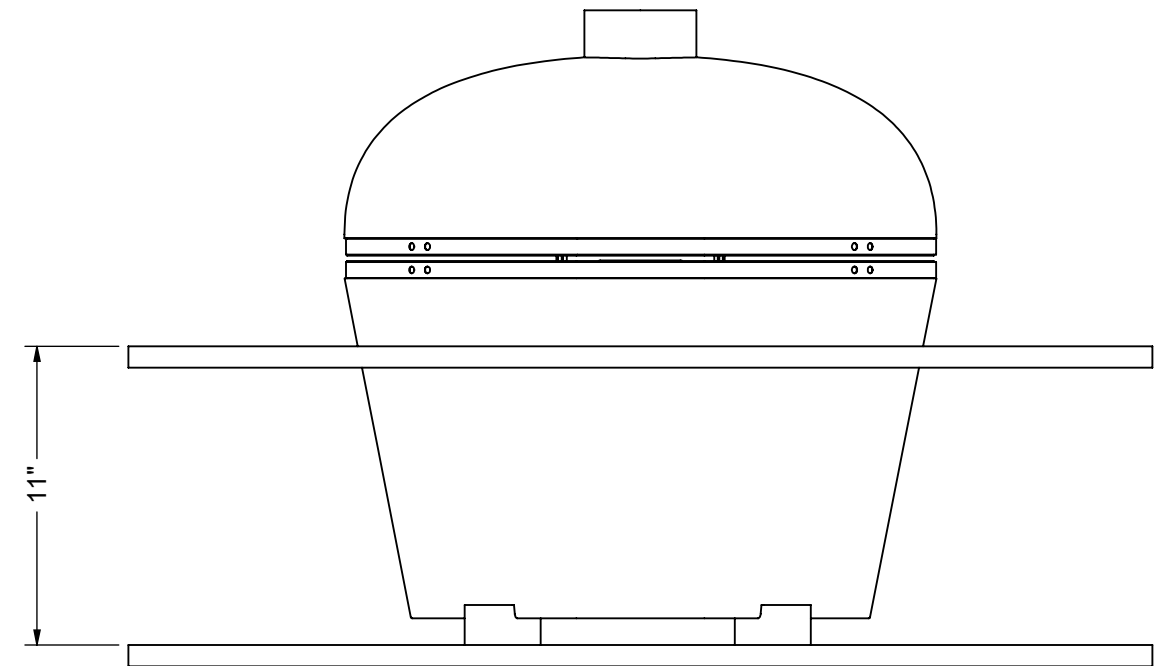


FIG. B - ELEVATION - HT. FROM TOP SURFACE TO SUPPORTING SHELF

THE HINGE NOTCH CUT-OUT IS THE ONLY CUT-OUT RECOMMENDED DUE TO THE REDUCED HEIGHT OF THE JR PRIMO GRILL

ECO NUMBER	LTR	REVISION	ENG	DRAFT	DATE	5/4/21	MAX. TOLERANCE UNLESS OTHERWISE SPECIFIED FRACTIONS: ±1/64" DECIMALS: ±.015 ROUND HOLE Øs (EXCEPT PORTS): ±.005 ROUND PORT Øs: ±.001 ANGLES: ±2° ALL BENDS 90°	MAT'L. - DESCRIPTION: CUT-OUT, JR WITH NEW HINGE USED ON:	DO NOT SCALE DRAWING SHEET: 1 OF 1	EMPIRE COMFORT SYSTEMS, INC <b>NO. JR CUT-OUT NEW HINGE</b>
------------	-----	----------	-----	-------	------	--------	--	---	---------------------------------------	--