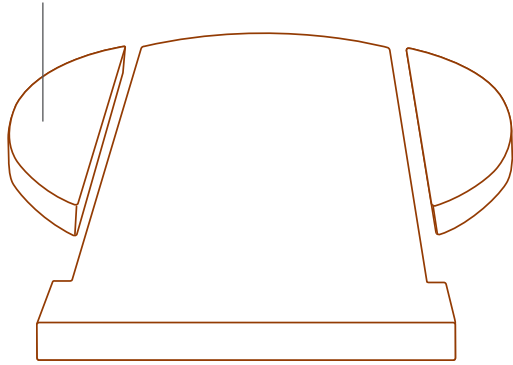


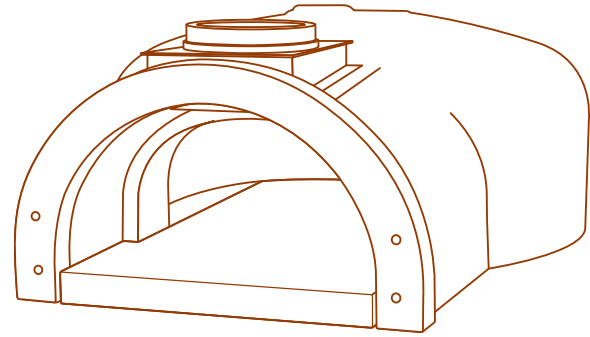
# CBO-1000 Bundle Specifications



Wings Weight: 23 lbs. each

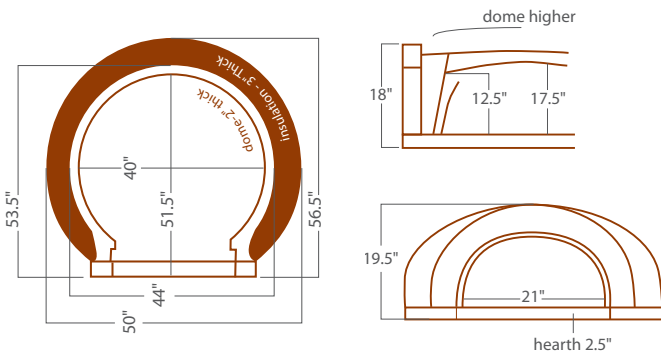
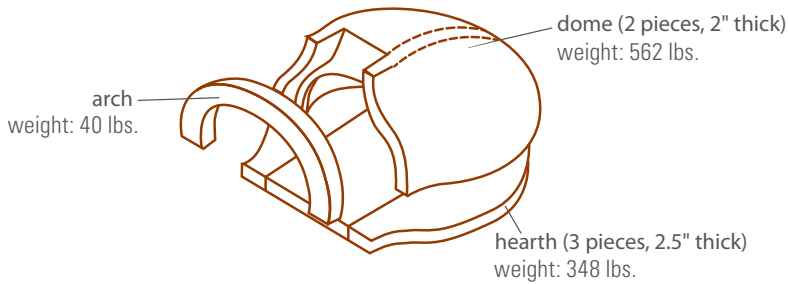


Weight: 302 lbs.



Weight: 950 lbs.  
Flue Pipe Dimensions: 27.25"H X 22.25"W

## Model-1000 Bundle Specifications



Weight: 950 lbs.

## CBO-1000 Bundle Accessories

- 6-piece refractory oven (2-piece Dome, Hearths, Arch), Insulating Door, DuraVent Flue Anchor Plate #9641
- Install Kit (Insulating Board, Insulating Blanket, Steel Plate, Steel Binding Plate, Mortar)
- Hardware (4 Bolts & Washers for Anchor Box Assembly SS 1/4-20 X 1/2", 4 Bolts & Washers for Dome Binding Plate SS 1/4-20 X 1/2", 4 Bolts & Washers for Arch SS 5/16-18 X 2 1/2")
- Cooking Kit (Brush, Infrared Thermometer Gun)
- Venting Pipe and Termination Cap NOT INCLUDED
- DuraVent pipe 8" dia X 24" H, Stainless Steel Class "A" Double Wall Pipe



**CHICAGO BRICK OVEN**