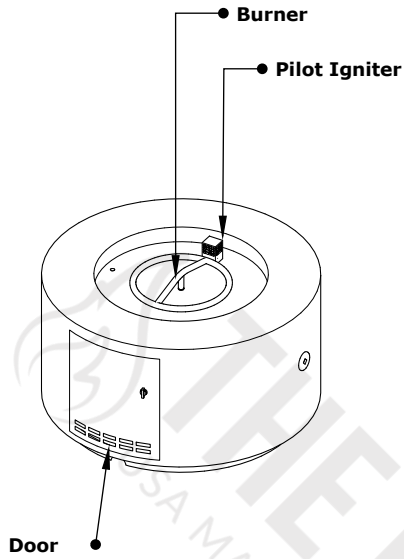
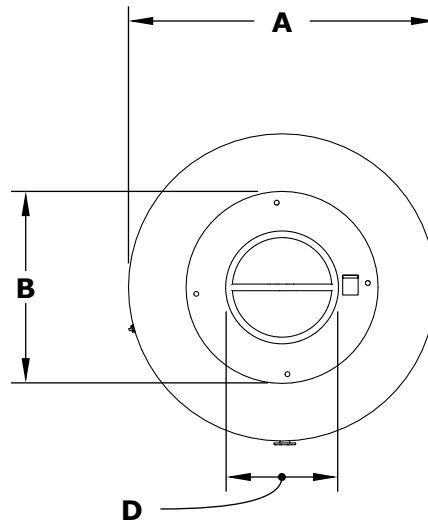


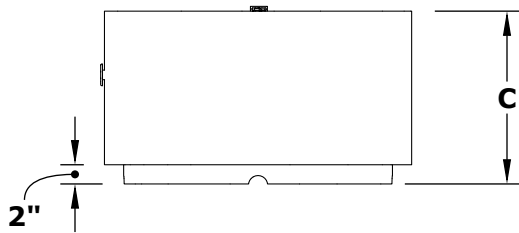
# 32" FLORENCE FIRE PIT



**ISOMETRIC VIEW**



**TOP VIEW**



**RIGHT SIDE VIEW**



**FRONT SIDE VIEW**

PART NUMBER	A	B	C	D	BTU
OPT-FL3218	32"	24"	18"	12"	65,000
OPT-FL32118EKIT	32"	24"	18"	12"	65,000

Fire Pit Material: GFRC Concrete  
Pan Material: 304 Stainless Steel  
Burner Material: 304 Stainless Steel  
Standard 2" Depth on all pans  
**110V ELECTRONIC IGNITION**  
ANSI Z21.97-(2017) / CSA 2.41-(2017)



Match Lit Unit Includes: Pan, Burner, Gas Orifice, Gas Hoses, Key Valve, Key,  
110v Ignition Unit Includes: Pan, Burner, Gas Orifice, Gas Hoses, Key Valve, Key, Plug & Play Electronic Valve, Pilot Igniter.

<b>Drawn By</b>	Murguia M.
<b>Date Created</b>	June 24, 2021