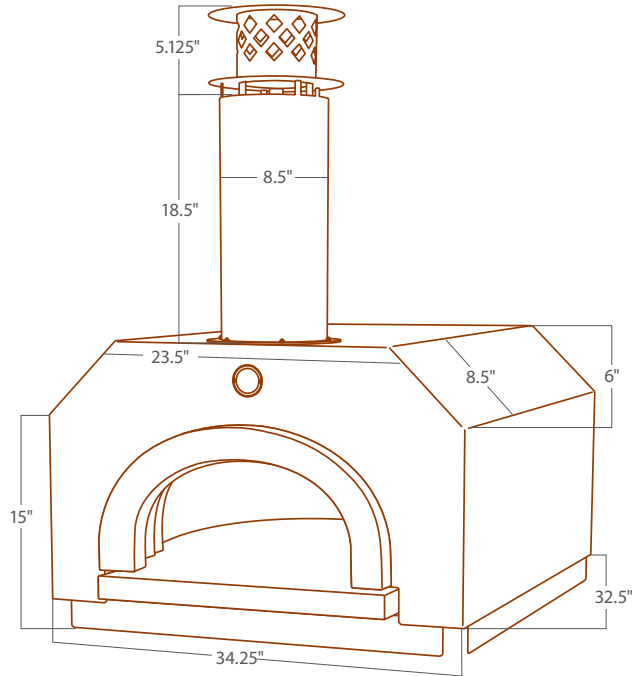


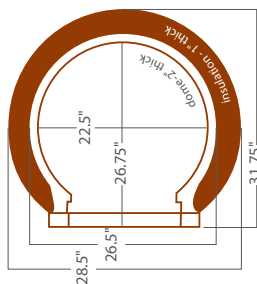
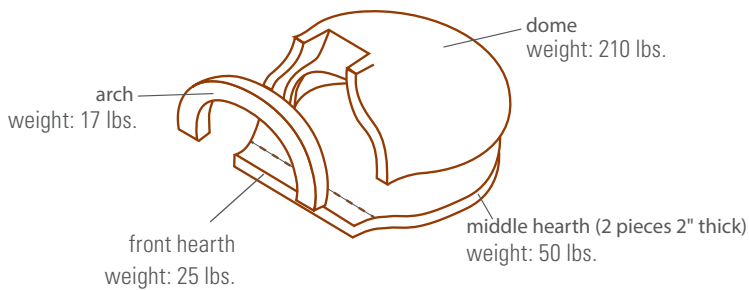
# CBO-500 Countertop Shroud Specifications



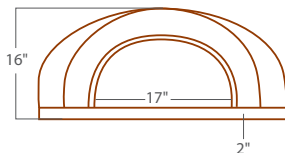
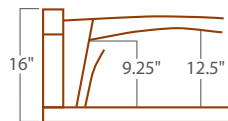
Weight: 450 lbs.

Flue Pipe Dimensions: 27.25"H X 22.25"W

## CBO-500 Bundle Specifications



Weight: 325 lbs.



## CBO-500 Bundle Accessories

- 4-piece refractory oven (Dome, 2-piece Hearth, Arch), Decorative Door, DuraVent Flue Anchor Plate #9441
- Install Kit (Insulating Board, Insulating Blanket, Steel Plate, Mortar)
- Hardware (4 Bolts for Anchor Plate SS 1/4-20 X 1/2", 4 Bolts for Door/Arch SS 1/4-20 X 2 1/2" and 2 Bolts for top of Arch SS 1/4-20 X 1 3/4")
- Cooking Kit (Pizza Peel, Brush, Infrared Thermometer Gun)
- Venting Pipe and Termination Cap NOT INCLUDED
- DuraVent pipe 6" dia X 24" H, Stainless Steel Class "A" Double Wall Pipe
- Please refer to manual for installation clearances



**CHICAGO BRICK OVEN**