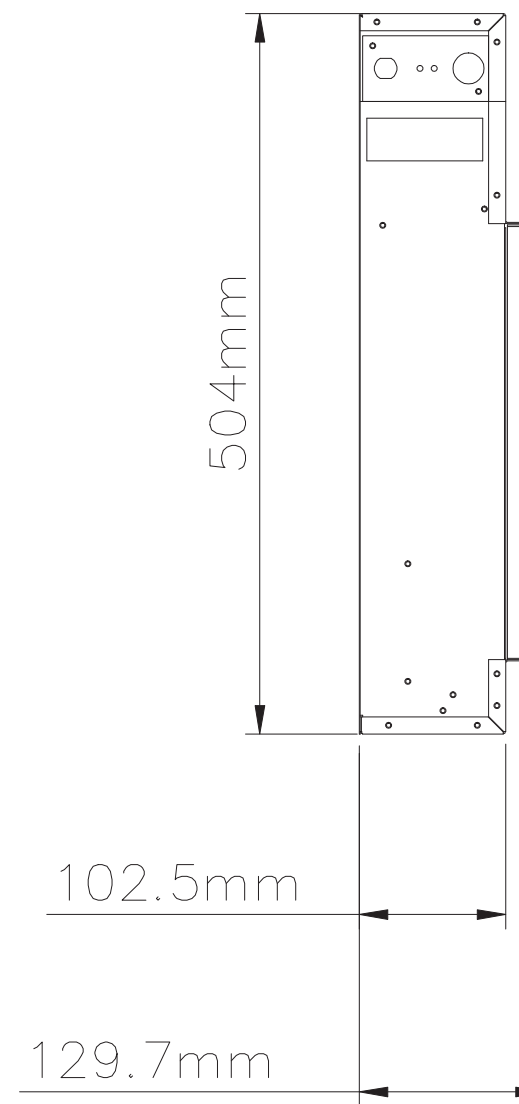
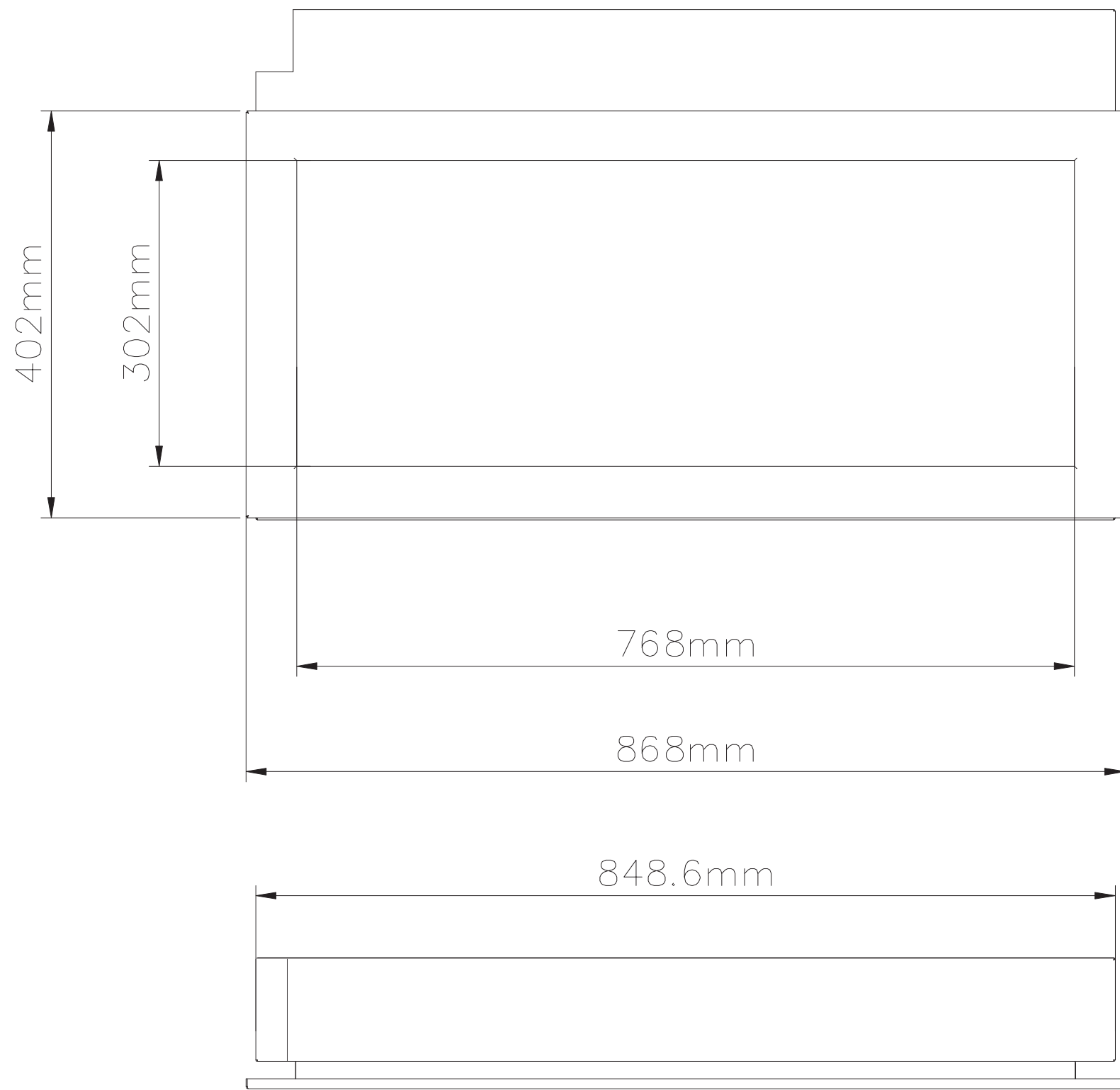



TECHNICAL SPECIFICATIONS	
VOLTAGE	120 AC 60 Hz
WATTS	1465 W Max
NO HEATER	25 W
MOTOR HEATER	19 W
APPLIANCE WIDTH	34 1/8"
APPLIANCE HEIGHT	19 7/8"
APPLIANCE DEPTH	4"
GROSS WEIGHT	46.3 lbs
PLUG LOCATION	Left side
CORD LENGTH	70 7/8"
ROUGH WALL OPENING	34" X 20 3/8"
BTU	5000




SERIES Built-In	MODEL BI-35-XTRASLSIM		REV 1
SCALE 1" = 1'-0"	DATE: 11/16/2017		SHEET 1 OF 1



TECHNICAL SPECIFICATIONS	
VOLTAGE	120 AC 60 Hz
WATTS	1465 W Max
NO HEATER	25 W
MOTOR HEATER	19 W
APPLIANCE WIDTH	99.5 cm
APPLIANCE HEIGHT	50.4 cm
APPLIANCE DEPTH	10.25 cm
GROSS WEIGHT	21 kgs
PLUG LOCATION	Left side
CORD LENGTH	180 cm
ROUGH WALL OPENING	86.4 cm X 52 cm
BTU	5000



SERIES Built-In	MODEL BI-35-XTRASLSIM		REV 1
SCALE 1" = 1'-0"	DATE: 11/16/2017	SHEET 1 OF 1	