

### Parts List

---

1\_Pegboard Menu

3\_Female Cleats

2\_Male Cleats

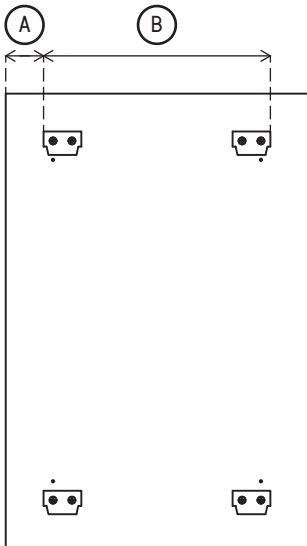
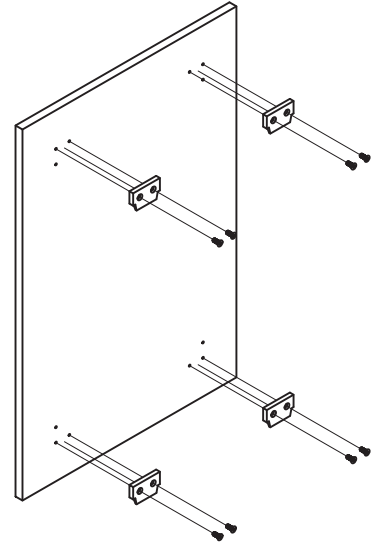
4\_Mounting Screws [board]



# Pegboard Menu

## Mounting Instructions

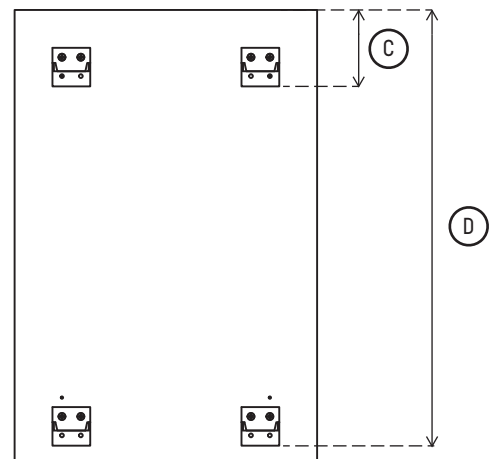
1: Choose orientation of menu; portrait or landscape. Screw male cleats using hardware supplied to back of board with tapered portion pointing to the floor.



2: Measure from edge of board to edge of male cleat [A]. Then measure from the outside of one male cleat to the outside of the other male cleat [B].

3: Insert female cleats into male cleats but do not fasten. Measure from bottom of female cleat to top of board [C]. Repeat for bottom female cleats [D].

Please note: bottom female cleats are optional on boards smaller than 600x1200mm

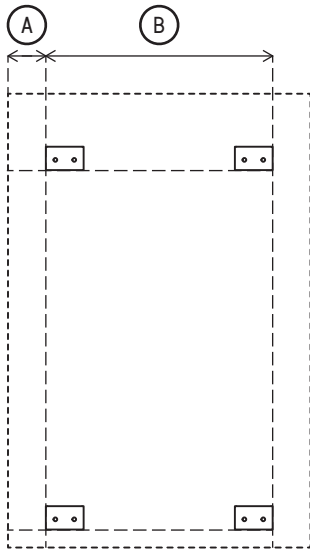
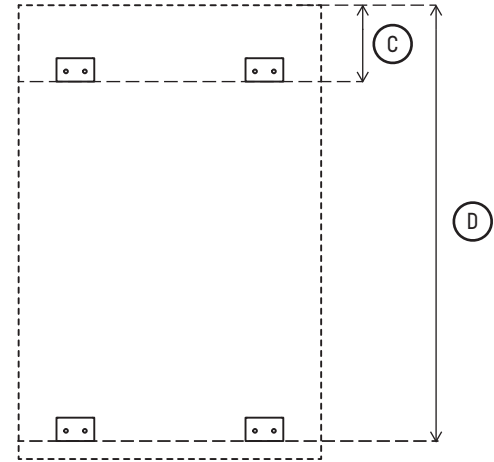




# Pegboard Menu

## Mounting Instructions

4: Decide location of menu board, then on wall, measure down using dimension [C]. Use a level to draw a line. Repeat for dimension [D] if using lower female cleats.



5: Measure along line and mark at [A].

Then measure along line and mark at [B].

Use a level to mark a line down for bottom cleats if using.

Then screw female cleats to wall [hardware not supplied].

6: Hold board against wall, and lower board onto cleats.

