

# Assembly Instructions

## INDS4 Industrial Shelving Unit / INDS4 BK Add-On Bay Kit

### Tools required:

- Hammer or Rubber Mallet.

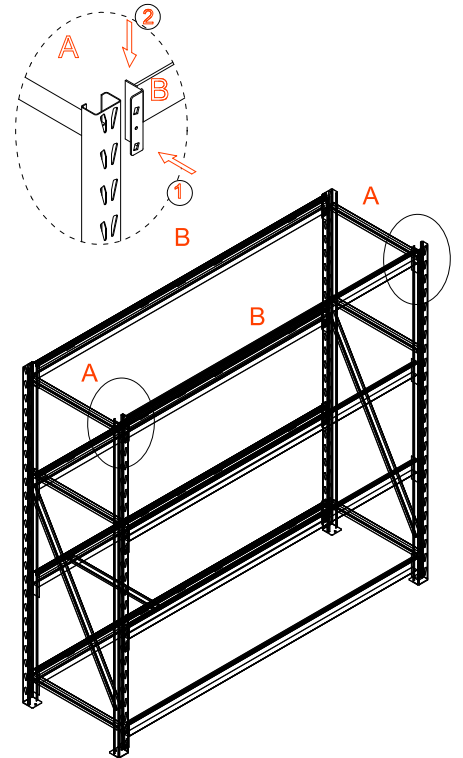
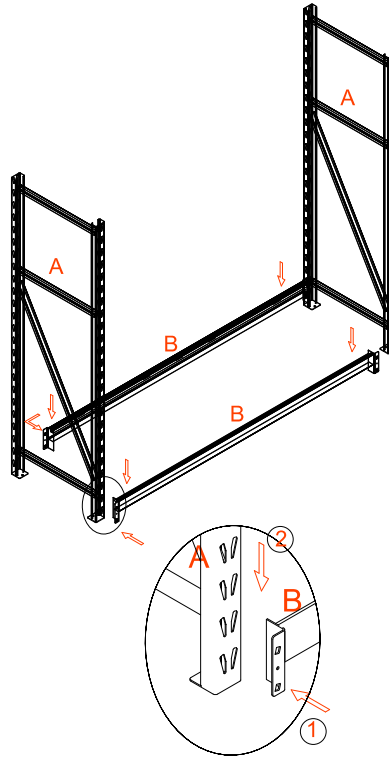
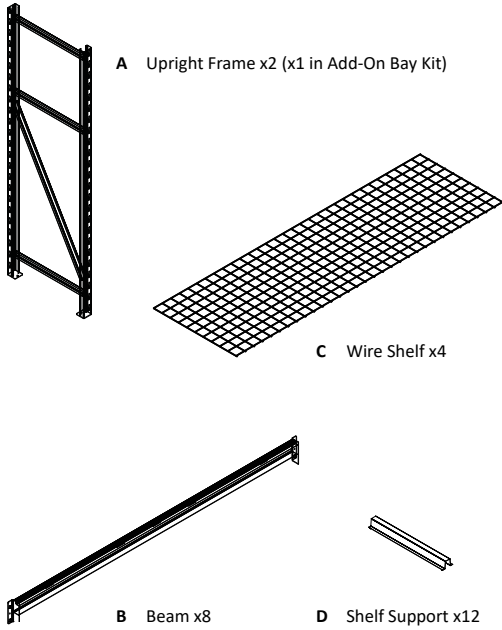
### Recommendations:

- Use a cloth or wooden block to protect components when hammering.
- Hammer gently to avoid component damage.
- Assembly is recommend with two people.

### Caution:

- Wear gloves during assembly.
- Handle components with care due to possible sharp corners.
- Assemble the unit on a solid, level surface.

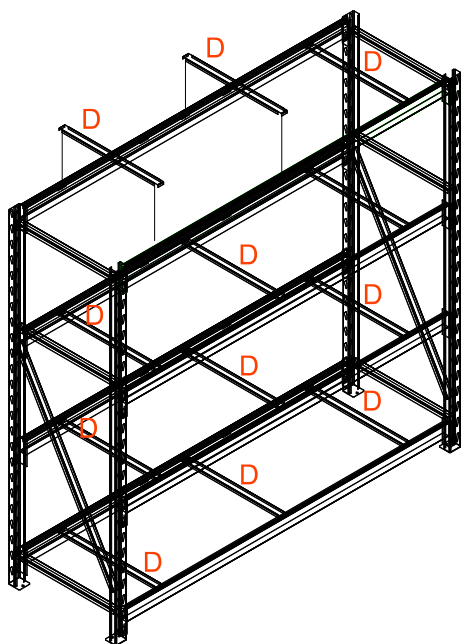
### Parts List



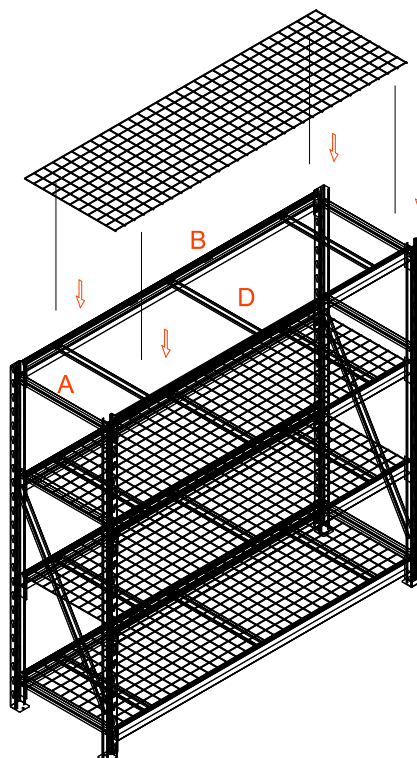
Please read completely through these instructions and verify that all parts are present before beginning assembly.

**Step 1** - Join lower beams to uprights per diagram. If Add-On Bay kit join to one end to existing INDS4 Industrial Shelving Unit.

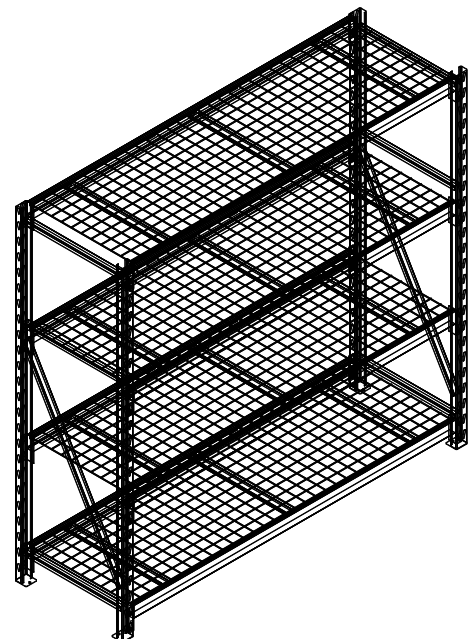
**Step 2** - Finish beam assembly. Beam height is adjustable.



**Step 3** - Insert the shelf supports at each level.



**Step 4** - Beginning at the bottom and working your way up, insert the wire shelves.



**Step 5** - Complete assembly and move unit into place. For added stability shelving should be anchored to a wall.