

Assembly Instructions

Hammer Lok 405 Shelving

750kg Maximum Weight Evenly Distributed

- Boltless technology - no nuts or bolts
- Ready and easy to assemble
- Strong and durable
- Super strong and adjustable 9mm MDF shelves
- Ideal for commercial or domestic purposes
- Floor protectors included
- 750kg maximum weight evenly distributed
- Assembled size: H 1800mm x W 900mm x D 400mm

- PARTS LIST**
- 5 x Shelves (9mm MDF Board)
 - 10 x Long Shelf Beams
 - 10 x Short Shelf Beams
 - 8 x Leg Sections
 - 8 x Leg Joiners
 - 8 x Plastic Feet

TOOLS REQUIRED: ONLY a Hammer OR Mallet.

CAUTION: HANDLE CUT METAL EDGES WITH CARE.

ASSEMBLY - Please read instructions through COMPLETELY before starting assembly.

HELPFUL HINT - Fully assemble the steel framework, then place the timber shelves on the shelf beams.

IMPORTANT - If the slots between the shelf beams are 6 or less, you must place the shelf on each set of beams before continuing assembly.

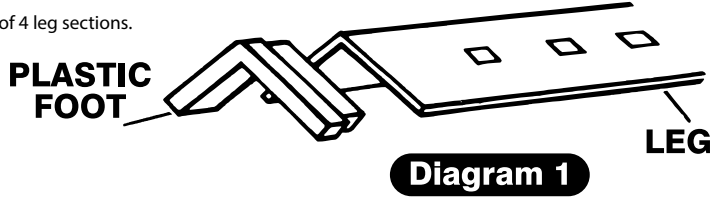
Shelf unit to be secured to the wall with appropriate fasteners (not included).

RECOMMENDATIONS

1. Wear gloves during assembly.
2. Heaviest items to be placed on lower shelves.
3. Loads to be evenly distributed.

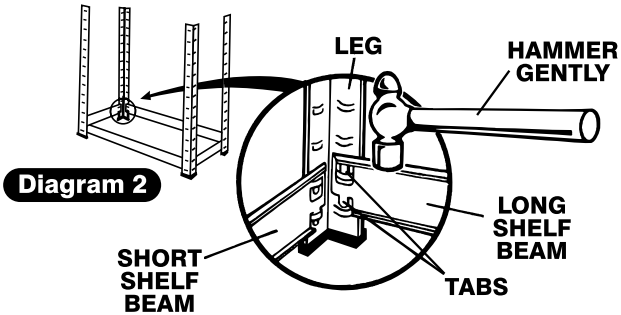
STEP 1

Fix 4 plastic feet to one end of 4 leg sections.



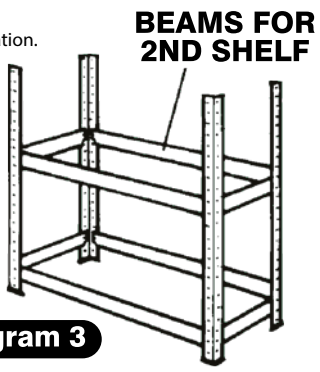
STEP 2

Fix 2 short beams and then 2 long beams to legs as shown. (See Diagram 2). Ensure BOTH tabs are aligned in slots, then HAMMER GENTLY until both tabs are all the way into the leg slots. **IMPORTANT:** Ensure tabs do not push out to the front of the leg.



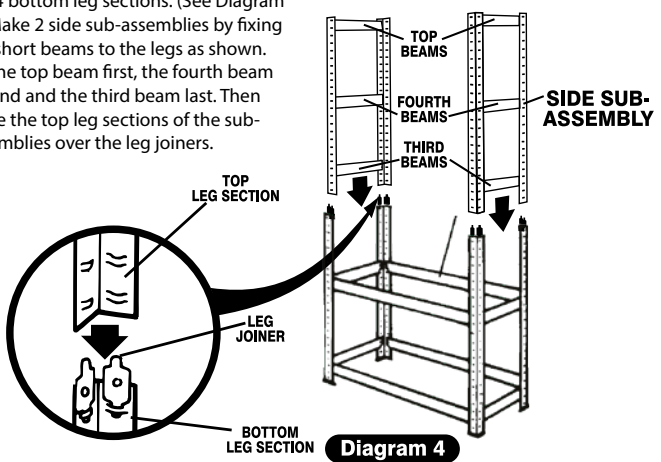
STEP 3

Fix shelf beams for the 2nd shelf at the desired location. (See Diagram 3). See "Recommended Shelf Spacings" below.



STEP 4

Tap the leg joiners into the top slots of the 4 bottom leg sections. (See Diagram 4). Make 2 side sub-assemblies by fixing the short beams to the legs as shown. Fix the top beam first, the fourth beam second and the third beam last. Then place the top leg sections of the sub-assemblies over the leg joiners.



STEP 5

Complete frame assembly by fixing the remaining long shelf beams, starting with the beams which support the third shelf.

STEP 6

Position the MDF shelves on shelf beams.

STEP 7

Install the four remaining plastic feet to the top of the leg sections.

RECOMMENDED SHELF SPACINGS

