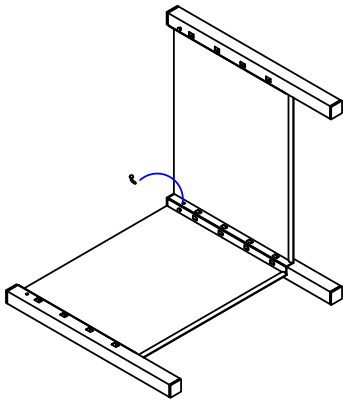
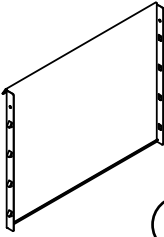
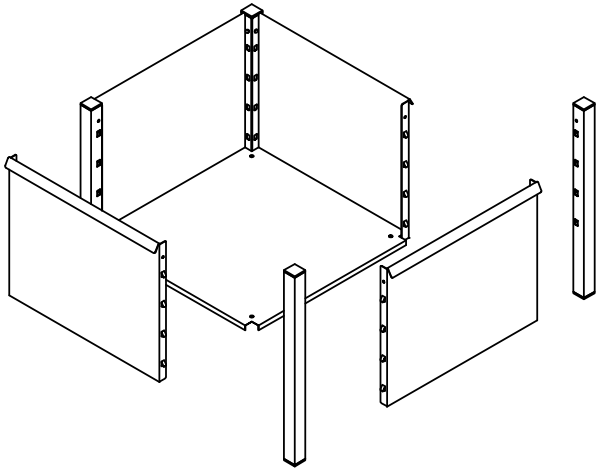
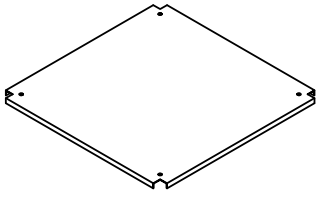

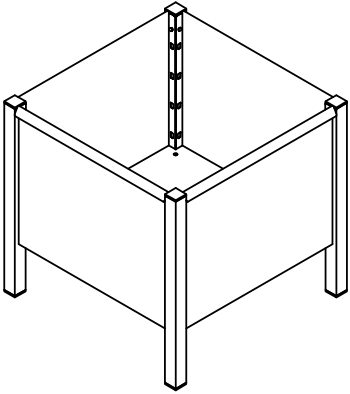
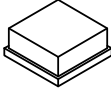



ASSEMBLY INSTRUCTIONS

GREENLIFE® SQUARE LEG PLANTER 600x600x380

	 <p>① X4</p>
	 <p>② X2</p>  <p>③ X4</p>
	 <p>④ X8</p>  <p>⑧ X8</p>

Follow us on Facebook, Twitter and Instagram! Share your garden pictures using the hashtag #GreenlifeAU



/greenlifegardenproducts



/GreenlifeAU



/GreenlifeAU