

ASSEMBLY INSTRUCTIONS

GREENLIFE® RAISED GARDEN PLANTER

Please read instructions **COMPLETELY** prior to assembly

Caution

- Handle components with care due to possible sharp corners or edges.

Recommendations

- Wear gloves during assembly.
- Assemble the unit on a level surface.
- Assembly best suited for two people.
- It is easier to assemble the unit up-side down.

Parts List

- | | | | |
|-------|-------------|--------|--------------|
| • 2 x | Side Panels | • 1 x | Base Panel |
| • 2 x | End Panels | • 16 x | Nuts |
| • 4 x | Corner Legs | • 16 x | Bolts |
| • 1 x | Allen Key | • 4 x | Plastic Feet |

Assembly

Step 1 – Unpack the unit, confirm that you have all the parts listed.

Step 2 – Screw the corners together using the parts in the following order as per diagram 1

End Panel (inside) – Side Panel (middle layer) – Corner Leg (outside)

NOTE: only install the nuts and bolts closest to the top of the unit so the base panel can be inserted in Step 4.

Step 3 – Repeat the process for all corners.

Step 4 – Turn the unit right way up and insert the Base Panel. It sits on the lip created by the side and end panels. Once the base panel has been placed in the unit you can screw in the rest of the nuts and bolts.

Step 5 – Move planter into final location and put the plastic feet under each leg before filling with soil.

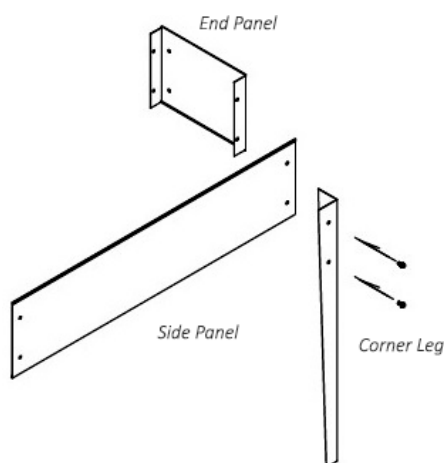
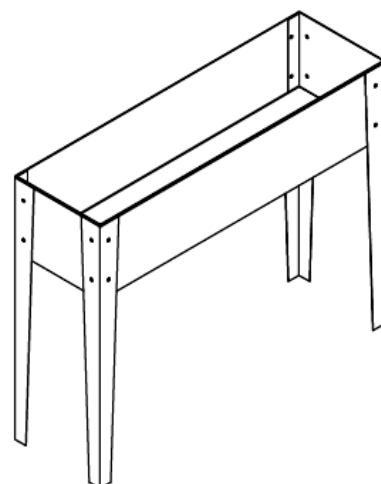


Diagram 1



Completed Unit