

ASSEMBLY INSTRUCTIONS

GREENLIFE® PLANTER TROLLEY

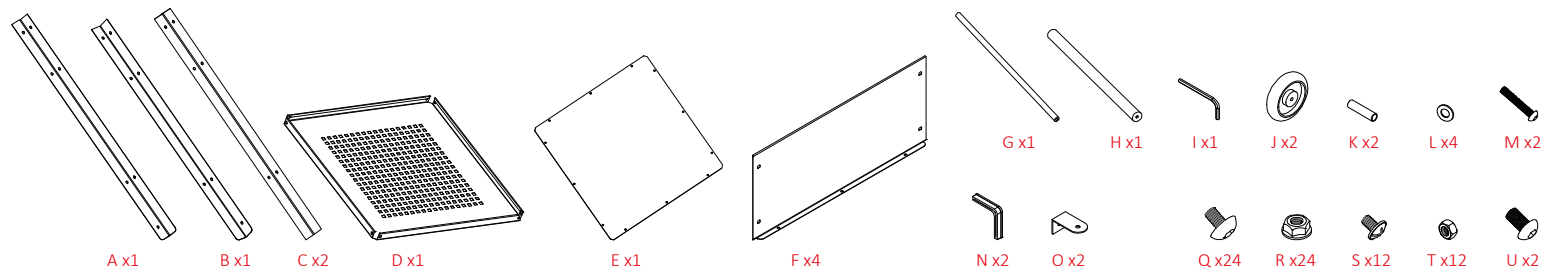
Recommendations

- Wear gloves during assembly.
- Assemble the unit on a level surface.
- Use a towel or sheet to protect the product and the floor surface.
- Assembly is easier with two people.

Caution

- Handle components with care due to possible sharp corners or edges.

Parts List - Confirm you have all the parts listed before assembly.



Step 1 - Screw the corners together using the wheel legs, side panels and end panel as per Diagram 1. The end panel should be on the inside and the legs on the outside.

Only screw in the top set of nuts and don't completely tighten until step 3. Finger tight is enough for now.

The corner of the legs fit under the lip formed by the side panels.

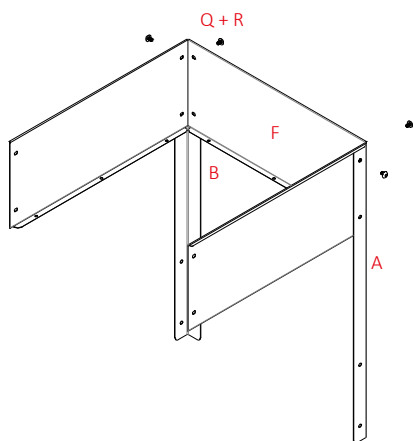


Diagram 1

Step 2 - Repeat for the opposite corners this time using the regular legs. Attach the handle brackets at the same time as per Diagram 2. They should be attached to the end with the regular legs.

Attach the plastic feet to the regular legs and stand the unit upright.

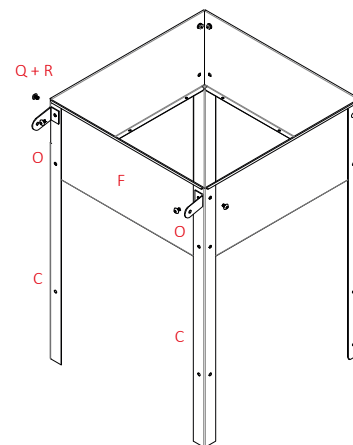


Diagram 2

Step 3 - Insert the planter base and screw in using the small nuts and bolts. Screw in the bottom set of nuts on the corners.

Attach the bottom shelf, trolley handle and wheels as per diagram 3.

Note the different sized screw that is used for the trolley handle.

Completely tighten all nuts and bolts. The planter trolley should be rigid and is now assembled.

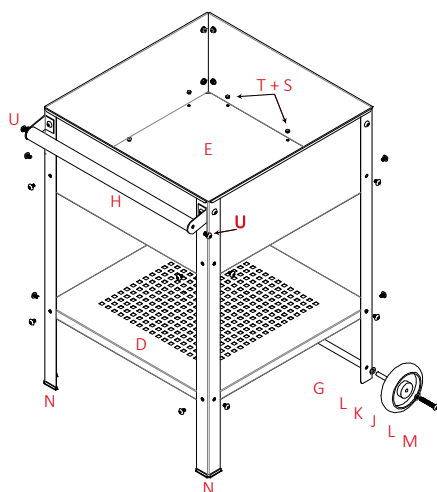


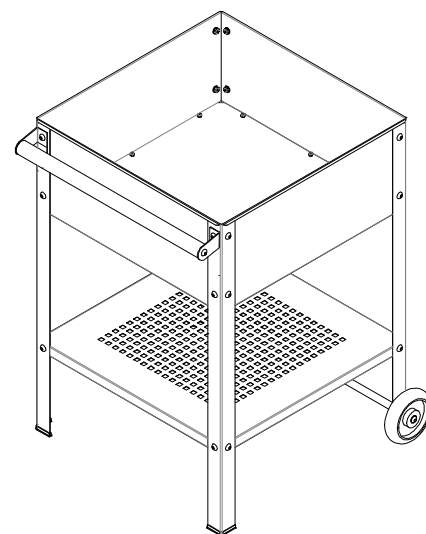
Diagram 3

Step 4 - Move your planter into position, fill with soil and start growing!

Share your photos with us on Facebook, Twitter and Instagram using our hashtag #GreenlifeAU.

To view the rest of the greenlife range please visit our website at:

www.greenlife.com.au



Assembled Unit

Follow us on Facebook, Twitter and Instagram! Share your garden pictures using the hashtag #GreenlifeAU



/greenlifegardenproducts



/GreenlifeAU



/GreenlifeAU