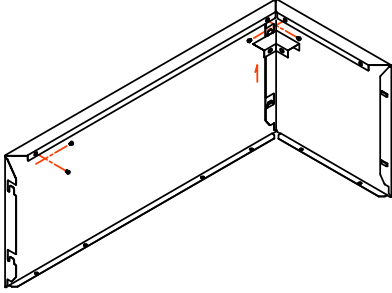
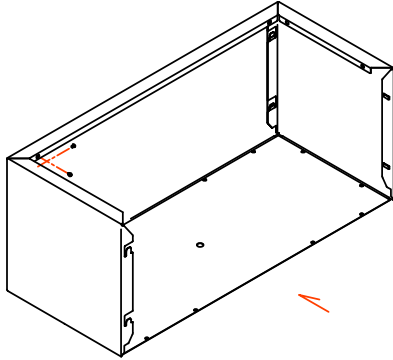
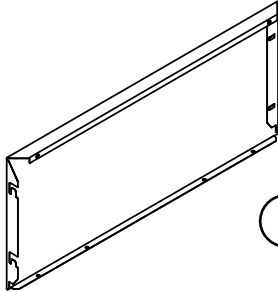
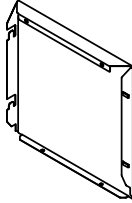
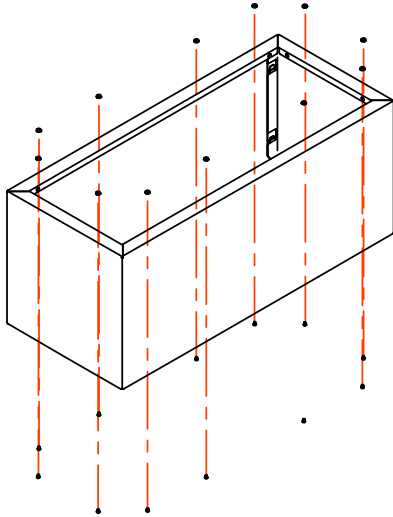
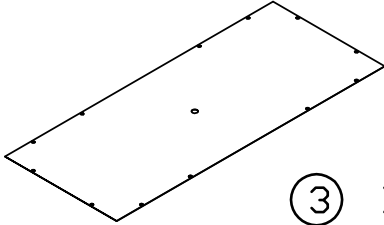
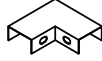
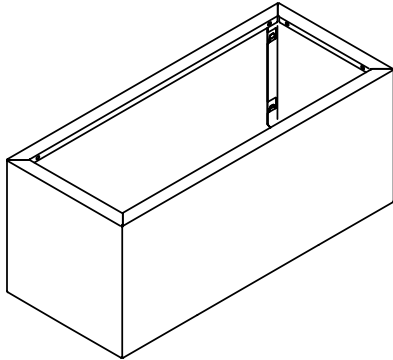




ASSEMBLY INSTRUCTIONS

GREENLIFE® PLANTER BOX

	<p>1200X300X300/900X300X300 1200X340X400/900X340X400</p>
	 <p>① X2</p>  <p>② X2</p>
	 <p>③ X1</p>  <p>④ X4</p>
	 <p>⑤ X12</p>  <p>⑥ X20</p>

Follow us on Facebook, Twitter and Instagram! Share your garden pictures using the hashtag #GreenlifeAU



/greenlifegardenproducts



/GreenlifeAU



/GreenlifeAU