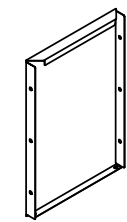
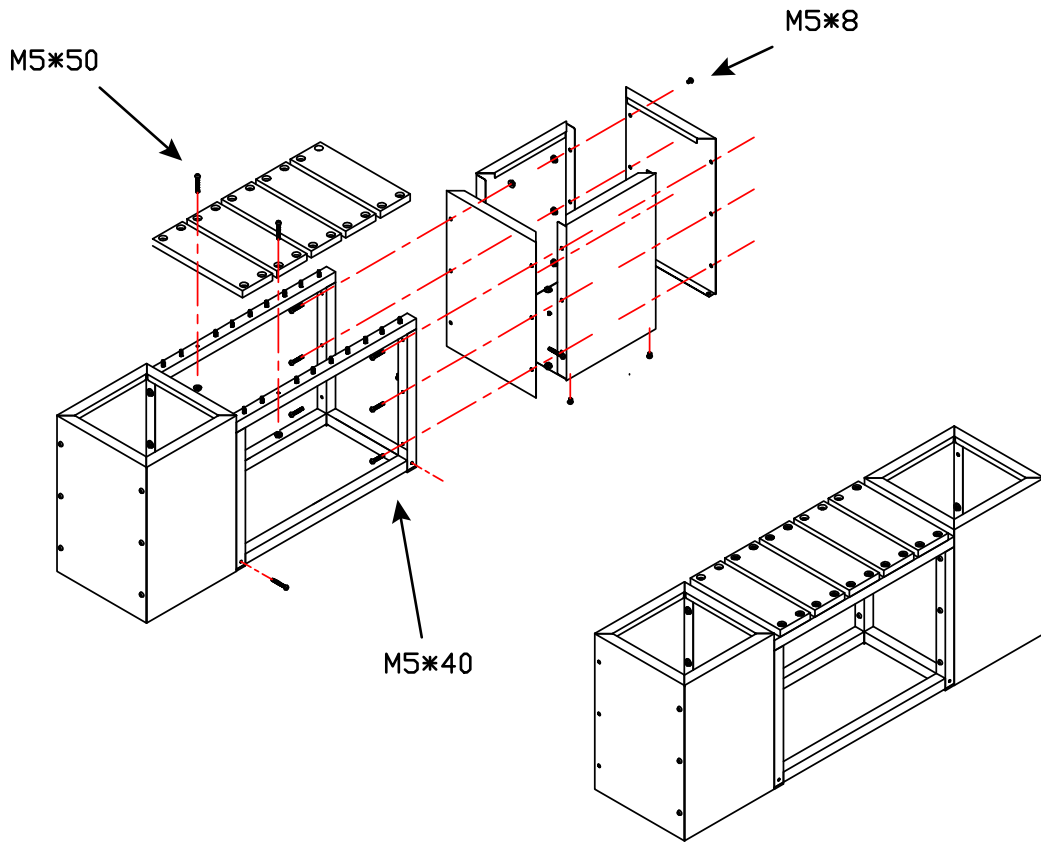


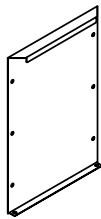
ASSEMBLY INSTRUCTIONS

GREENLIFE PLANTER BOX WITH SEAT

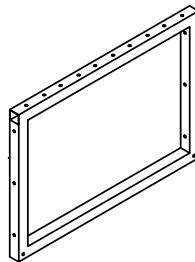
1200*300*450



① X4



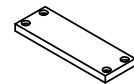
② X4



③ X2



④ X2



⑤ X5



⑧ X20
M5*50



⑨ X16
M5*40



⑩ X20
M5*8



⑪ X56
M5



⑫ X4



⑬ X1

Follow us on Facebook, Twitter and Instagram! Share your garden pictures using the hashtag #GreenlifeAU



/greenlifegardenproducts



/GreenlifeAU



/GreenlifeAU