

ASSEMBLY INSTRUCTIONS

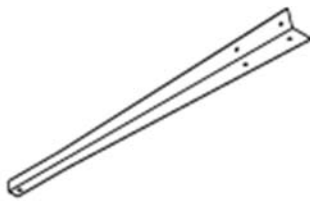
GREENLIFE® POTTING BENCH

Please read instructions **COMPLETELY** prior to assembly

Recommendations

- Read through the entire instructions before assembling
- Assemble the potting bench on a level surface.
- If you are assembling the potting bench on an abrasive surface like concrete you should lay down a protective cover to avoid scratching.
- Assembly of the potting bench is easier with two people.

Parts List



Left Leg Back



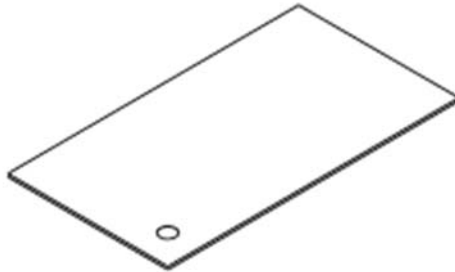
Right Leg Back



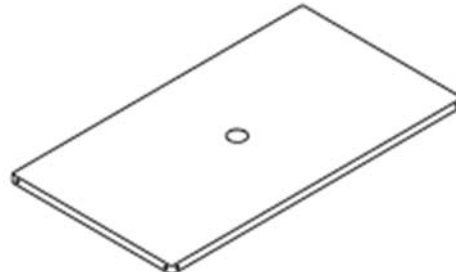
Left Leg Front



Right Leg Front



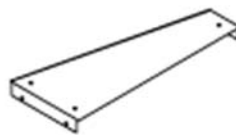
Top Shelf



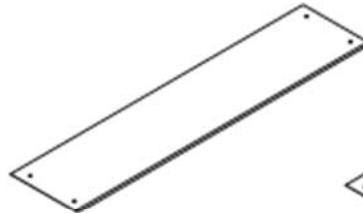
Bottom Shelf



Right Side Panel



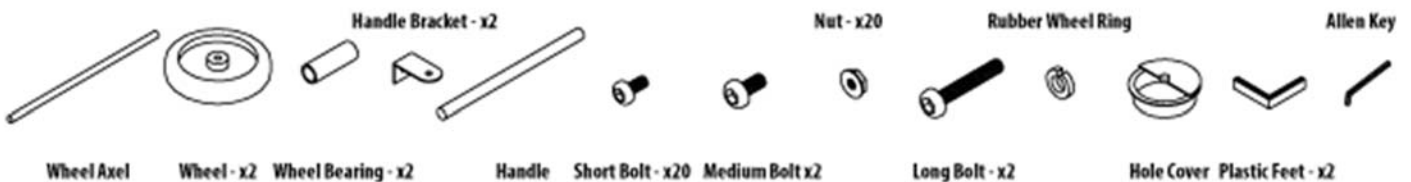
Left Side Panel



Back Panel



Front Panel



Wheel Axel

Wheel - x2

Wheel Bearing - x2

Handle

Short Bolt - x20

Medium Bolt x2

Nut - x20

Long Bolt - x2

Rubber Wheel Ring

Hole Cover

Plastic Feet - x2

Allen Key

Assembly

Step 1 - Unpack the potting bench, confirm that you have all the parts listed.

Step 2 - Start by assembling the back half of the potting bench as per figure 1. Assemble the unit on its side. Only do the nuts up finger tight as you may need to remove some when putting in the top shelf. Ensure the bottom lip on each panel is facing inwards. The legs slot in beneath the top lip.

Note: The back legs are longer than the front legs and the left side legs have a hole drilled at the bottom for the wheels which will be attached later.

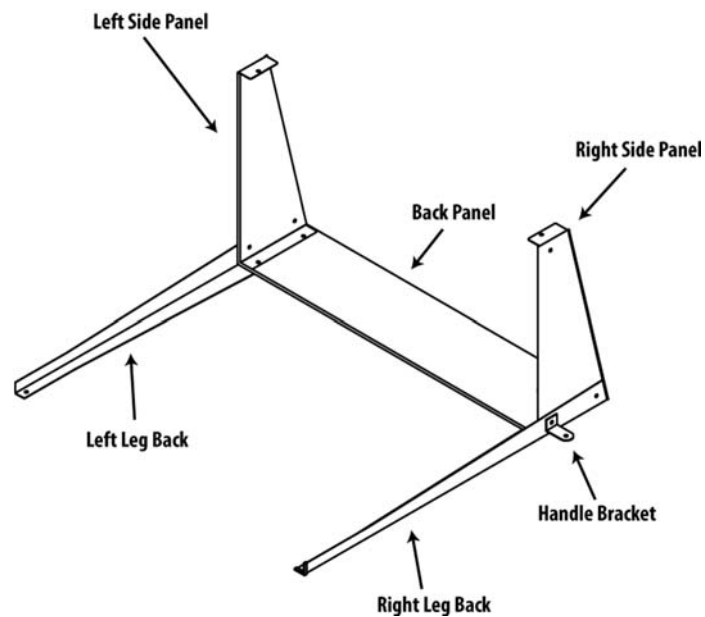


Figure 1

Step 3 – Complete assembly of the front half of the potting bench and bolt in the bottom shelf as per figure 2.

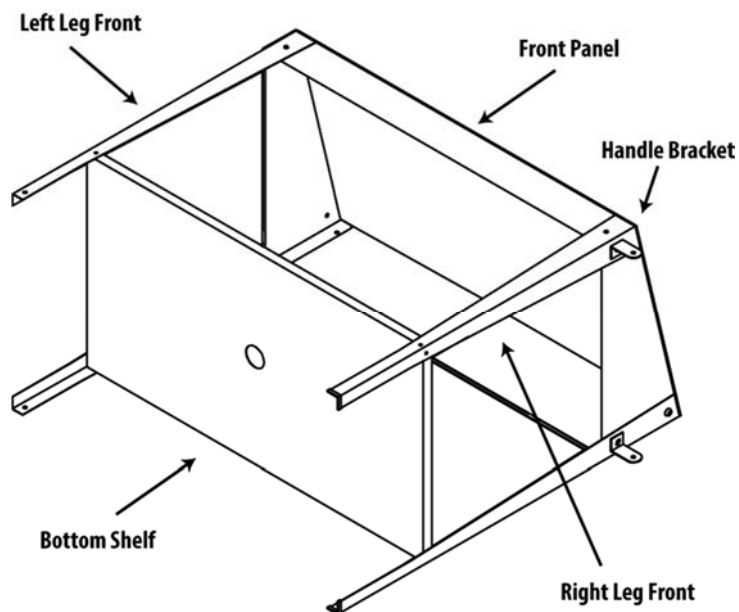


Figure 2

Step 4 – Stand the unit upright and insert the top shelf. You may need to temporarily remove some of the nuts and bolts in order to insert the shelf cleanly. It should sit on the lip created by the surrounding panels.

Bolt on the wheels and handle as per figure 3. Finish off by putting on the plastic feet, inserting the hole cover and tightening all nuts and bolts.

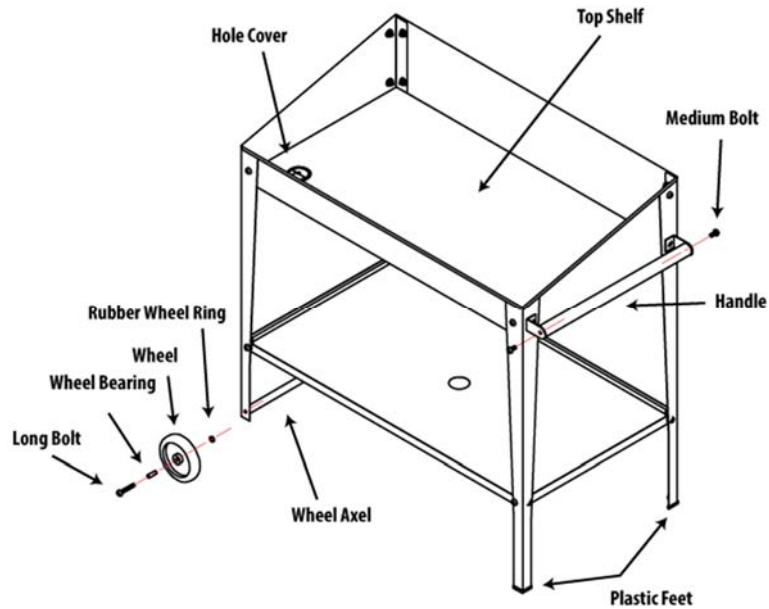


Figure 3

Finished Unit

