

ASSEMBLY INSTRUCTIONS

VEGETABLE GARDEN BED WITH BASE

Please read instructions **COMPLETELY** prior to assembly

Caution

- Handle components with care due to sharp corners.

Recommendations

- Wear gloves during assembly.
- Assemble the unit on level surface.

Parts List

- | | | | |
|-------|-----------------|--------|-------|
| • 2 x | Side Panels | • 32 x | Nuts |
| • 2 x | End Panels | • 32 x | Bolts |
| • 4 x | Corner Brackets | • 1 x | Base |

Assembly

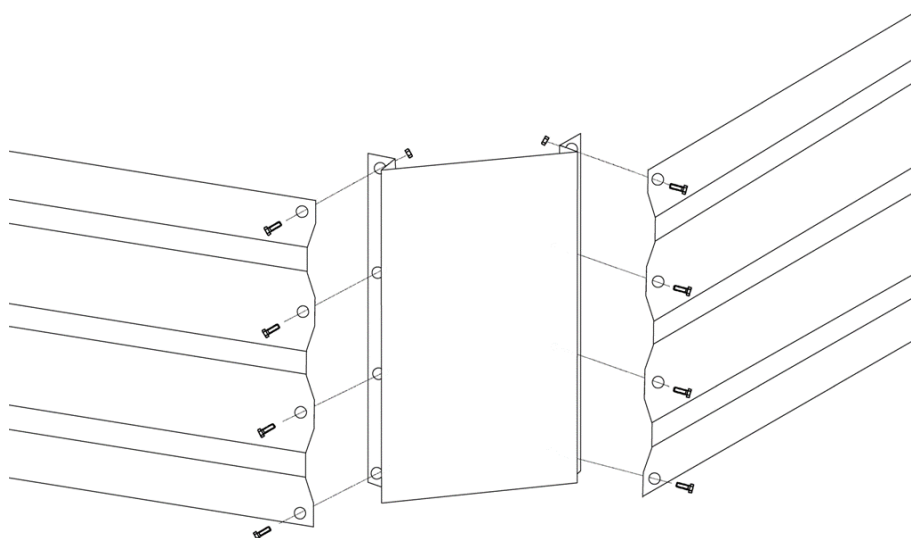
Step 1 - Unpack the unit, confirm that you have all the parts listed.

Step 2 - Fasten the corner brackets to the side and end panels using the nuts and bolts as shown in Diagram 1. Tighten with screw driver.

Step 3 - Place assembled garden bed on top of base and then carefully push down until garden bed sits inside the base.

Step 4 - Position garden bed in desired final location before filling with soil.

Diagram 1.



Follow us on Facebook, Twitter and Instagram! Share your garden pictures using the hashtag #GreenlifeAU



/greenlifegardenproducts



/GreenlifeAU



/GreenlifeAU