

ASSEMBLY INSTRUCTIONS

GREENLIFE GARDEN BED

Please read instructions **COMPLETELY** prior to assembly

Caution

- Handle components with care due to sharp corners.

Recommendations

- Wear gloves during assembly.
- Assemble the unit on a level surface.

Parts List

- **4 x** Side Panels
- **4 x** Corner Brackets
- **32 x** Nuts
- **32 x** Bolts

Assembly

Step 1 - Unpack the unit, confirm that you have all the parts listed.

Step 2 - Fasten the corner brackets to the side panels using the nuts and bolts as shown in Figure 1. Tighten with screw driver.

Step 3 - Position garden bed in desired final location before filling with soil.

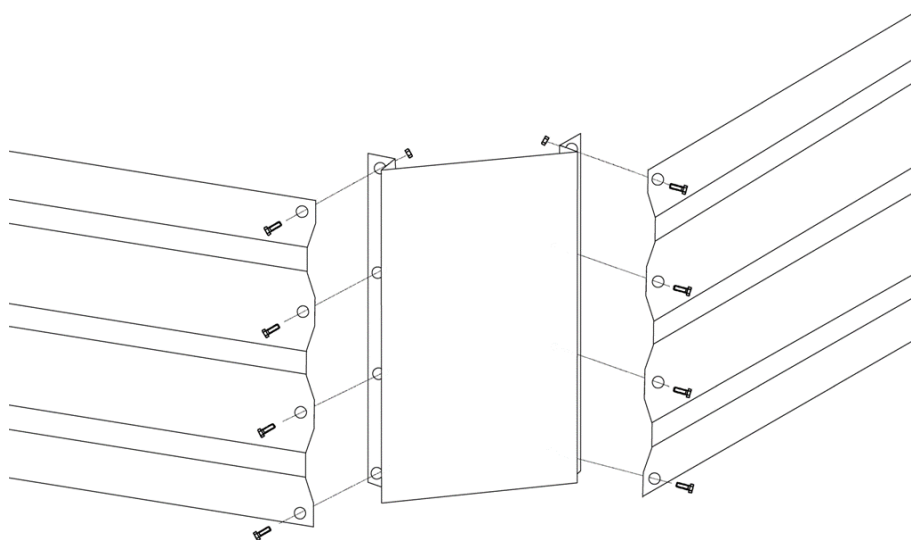


Figure 1