

ASSEMBLY INSTRUCTIONS

GREENLIFE GARDEN BED

Please read instructions **COMPLETELY** prior to assembly

Caution

- Handle components with care due to sharp corners.

Recommendations

- Wear gloves during assembly.
- Assembly best suited for two people.
- Assemble the unit on a level surface.

Parts List

- | | | | |
|-------|-----------------|--------|----------|
| • 4 x | Side Panels | • 48 x | Nuts |
| • 2 x | End Panels | • 48 x | Bolts |
| • 4 x | Corner Brackets | • 4 x | Crossbar |

Assembly

Step 1 - Unpack the unit, confirm that you have all the parts listed.

Step 2 - Fasten the corner brackets to the side and end panels using the nuts and bolts as shown in Diagram 1. Tighten with screw driver. You will now have two half sections.

Step 3 - Join the two assembled sections together using an alternating pattern for the crossbars as shown in Diagram 2. Tighten with screw driver and keep the flat side of the crossbars facing upwards.

Step 4 - Position garden bed in desired final location before filling with soil.

Diagram 1.

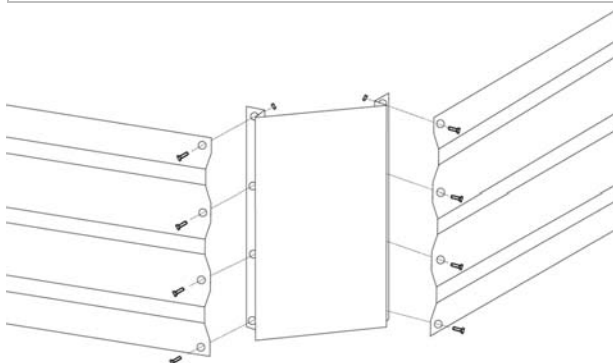


Diagram 2.

