

# Assembly Instructions

## Z Beam Shelving

Please read instructions **COMPLETELY** prior to assembly

### Caution

- Keep small children clear during assembly.
- Handle components with care due to sharp edges.

### Tools Required

- Rubber Mallet or Hammer.

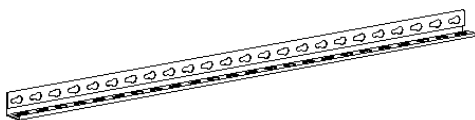
### Helpful Hints

- Use a cloth or wooden block to protect the components when hammering.
- Hammer gently to avoid component damage.
- Drive rivets to the bottom of the keyhole by striking the beam near the joint.

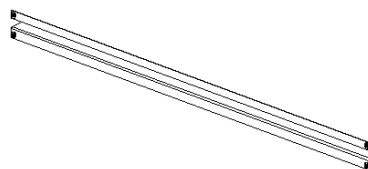
### Recommendations

- Wear gloves during assembly.
- Two persons assemble the unit.
- Assemble the unit on solid level surface.
- Heaviest items to be loaded on lower shelves.
- Loads to be evenly distributed.

### Parts List



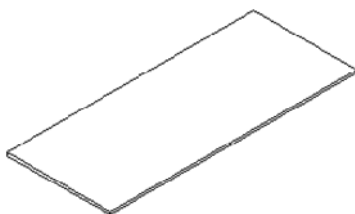
A – Uprights (8)



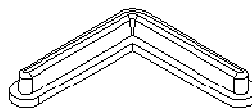
B – Long Beam (10)



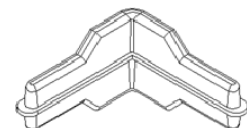
C – Short Beam (10)



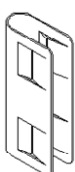
D – Shelf Deck (5)



E – Post Cap (8)

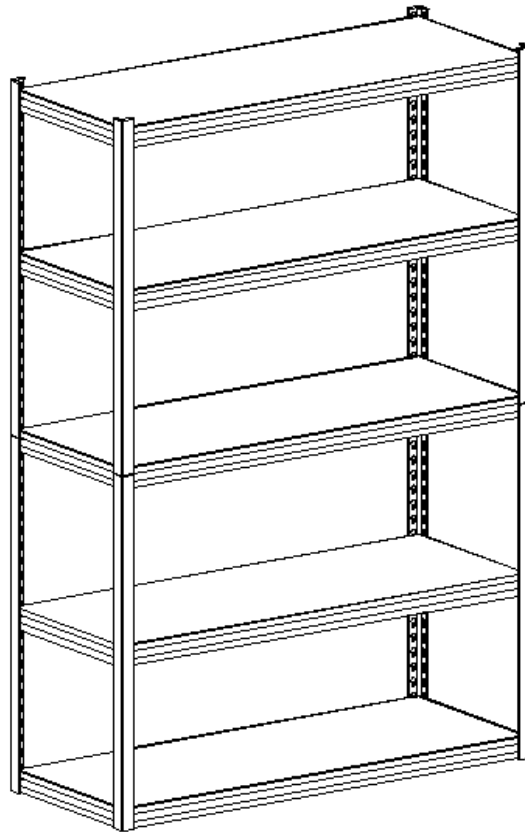


F – Post Joiner (4)



G – Post Clips (2)

## Assembly Option #1 - Upright Shelving Unit

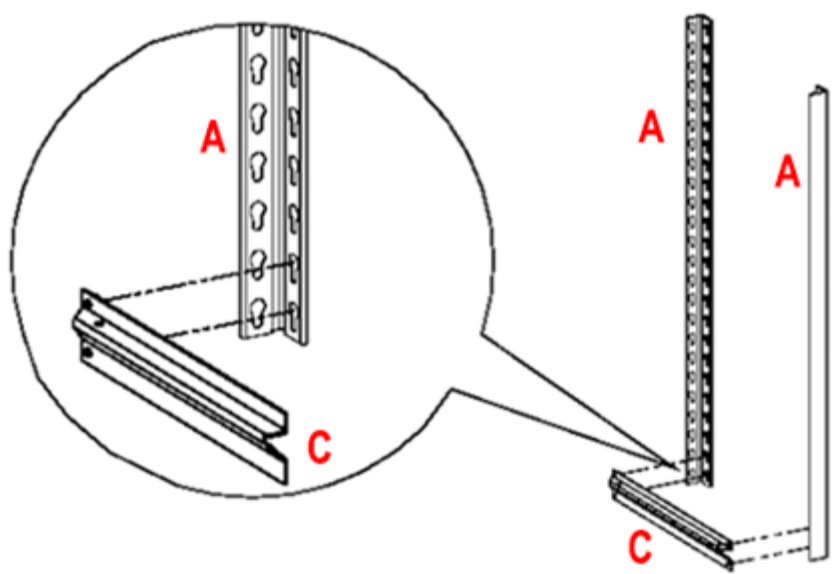


**Step 1** - Unpack the unit, confirm that you have all the parts listed.

**Step 2** - Join two uprights with a short beam to form a bottom end frame as per diagram 1. Drive the rivets to the bottom of the keyhole by hitting the beam near the joint with a rubber mallet to lock the pieces together.

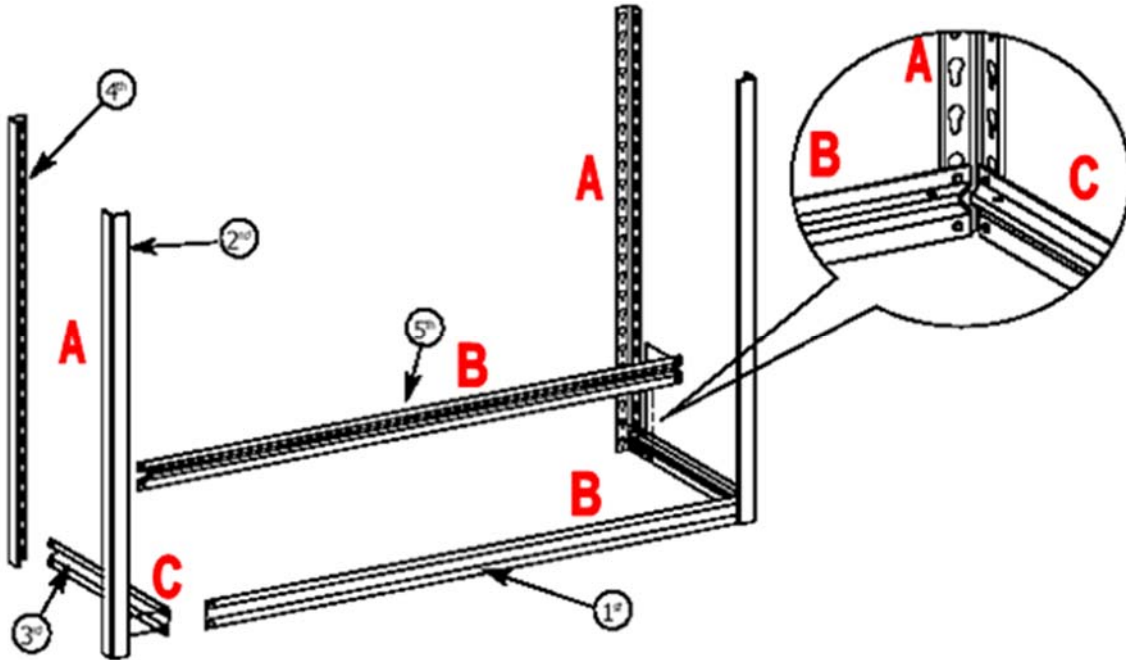
**NOTE:** It is important that you orientate all beams so that the flat part of the shelf ledge is facing up.

**Diagram 1**



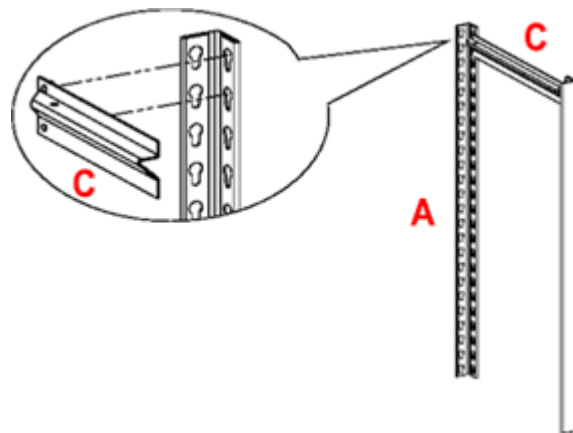
**Step 3** – Repeat step 2 to create a second bottom end frame and then join the two bottom end frames together with long beams as per diagram 2.

**Diagram 2**



**Step 4** – Create a top end frame by joining two uprights with a short beam as per diagram 3.

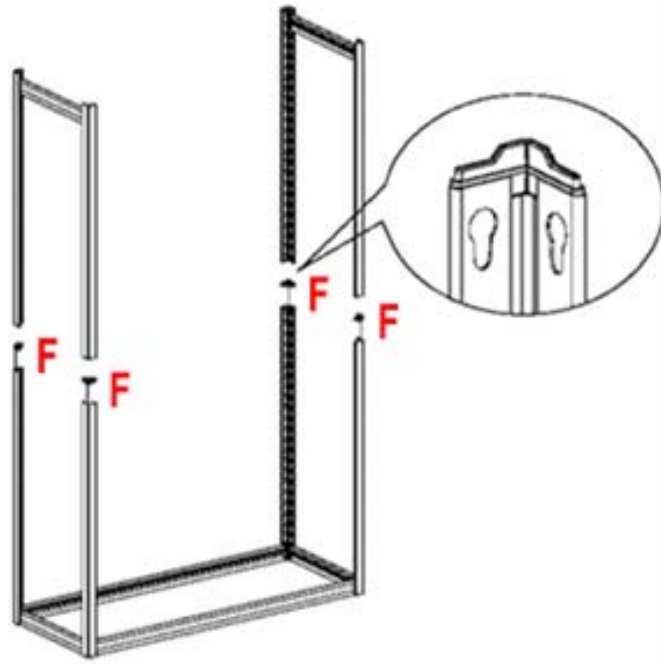
**Diagram 3**



**Step 5** – Repeat Step 4 to create a second top end frame.

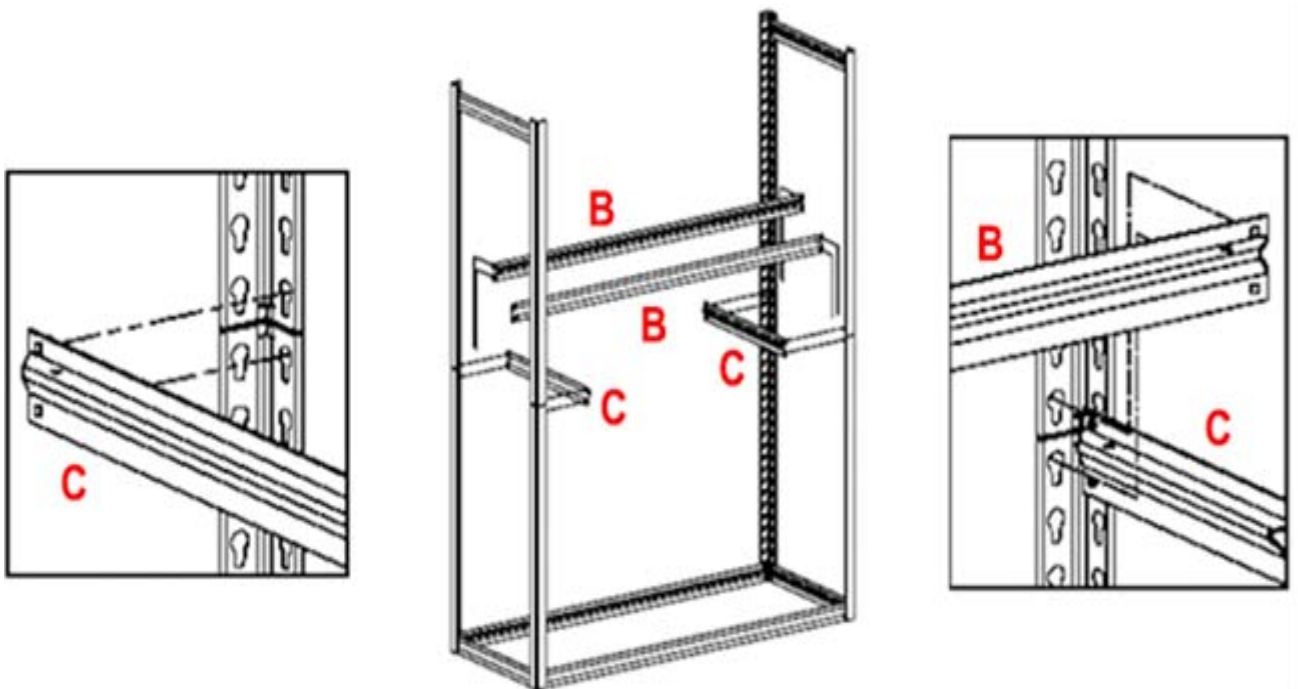
**Step 6** – Join the top end frames to the bottom end frames using post joiners as per diagram 4. A second person to hold the top end frames steady at this point is advised.

**Diagram 4**



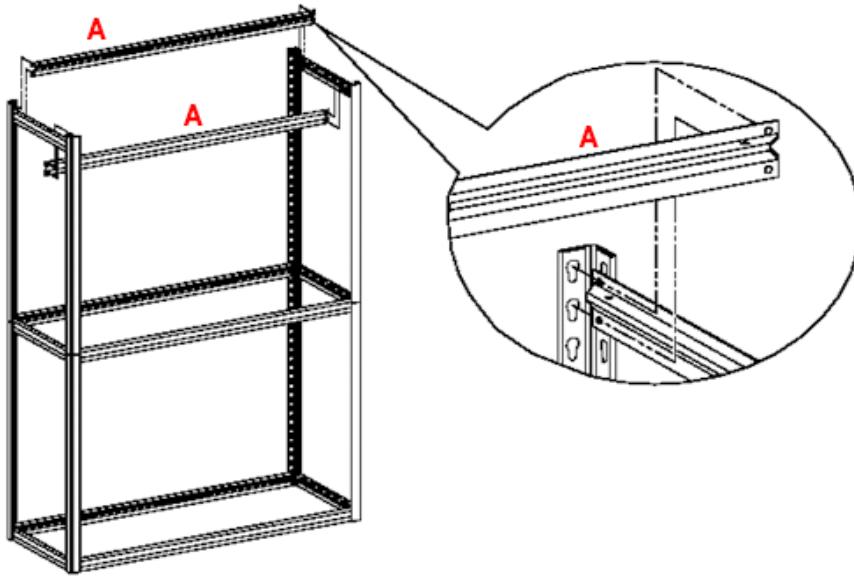
**Step 7** – Insert a short beam to the mid-section of the top and bottom end frames to create a secure join as per diagram 5. Repeat for the opposite side and then add the long beams.

**Diagram 5**



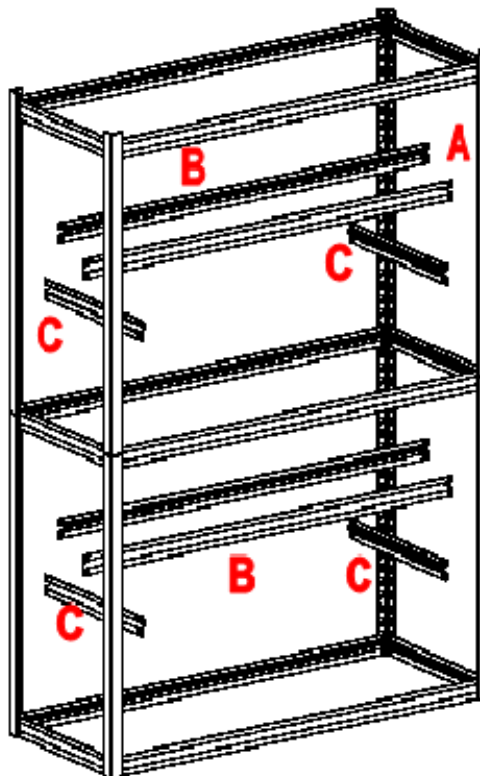
**Step 8** – Add two long beams to the top of the unit as per diagram 6.

**Diagram 6**



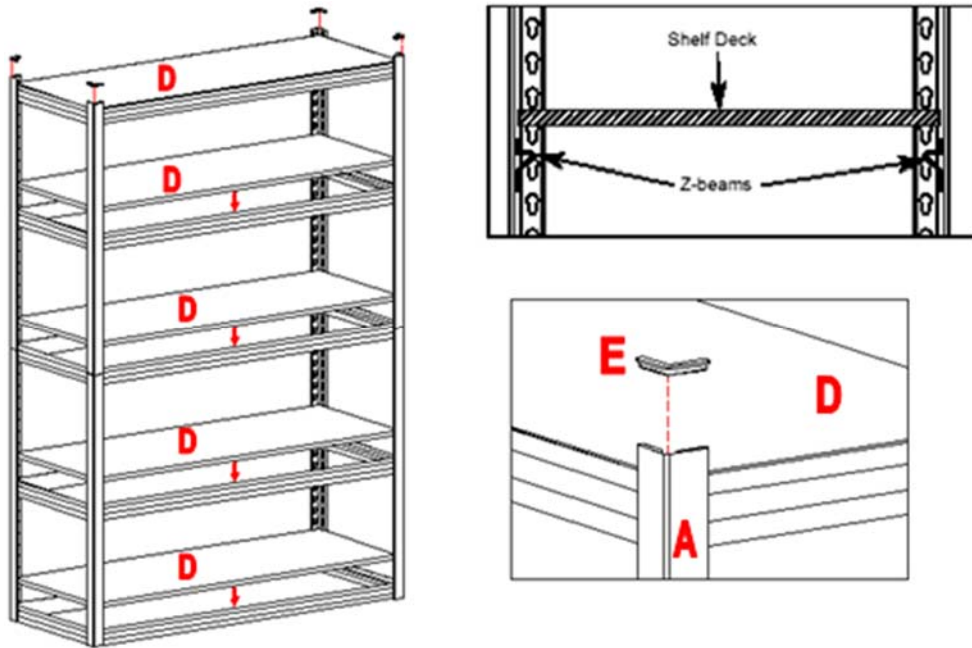
**Step 9** – Assemble the remaining long and short beams to create two additional shelf levels as per diagram 7. These shelves can be position as required.

**Diagram 7**



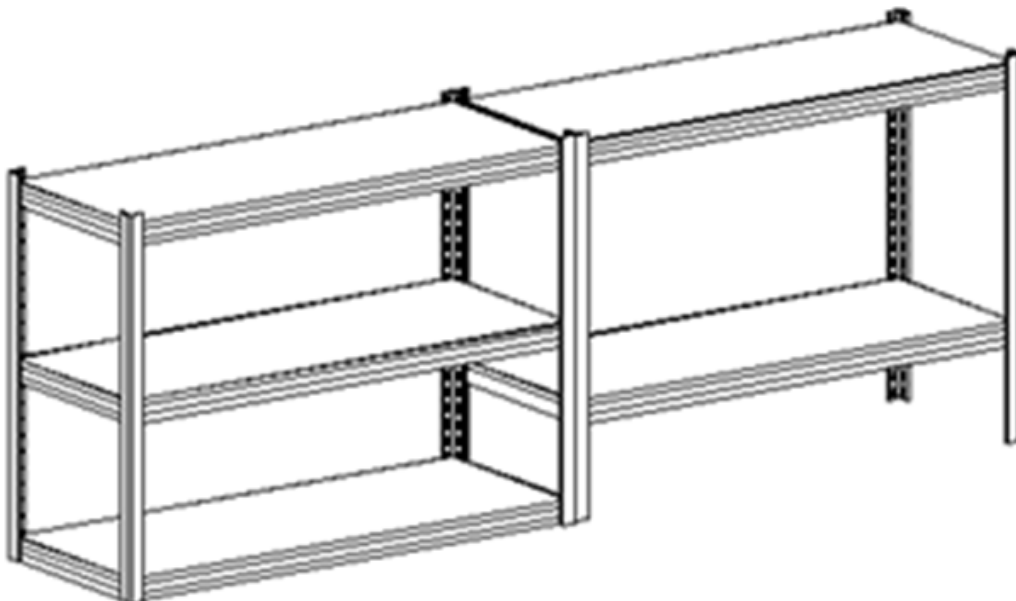
**Step 10** – Move shelf unit into final position and then lay the shelf decks on top of the beams as per diagram 8. Work from the bottom up. Insert post caps on the top and bottom of the uprights.

**Diagram 8**



It is recommended that you secure the upright shelving unit to the wall with fasteners (not supplied).

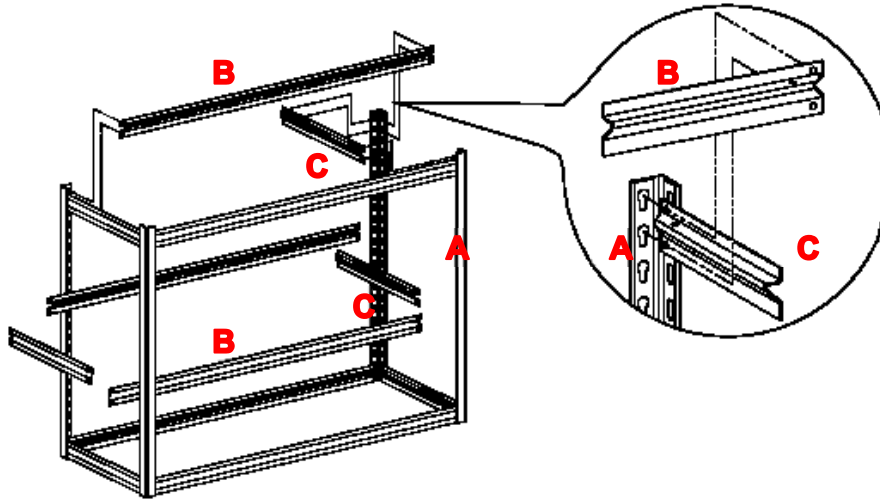
**Assembly Option #2 – Workbench**



**Step 1.1** – Create a bottom assembly as per steps 2 and 3.

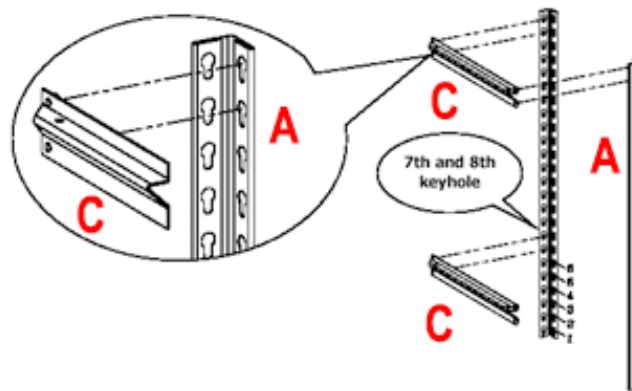
**Step 1.2** – Finish the main workbench bay as per diagram 9. Middle shelf level can be set to desired height.

**Diagram 9**



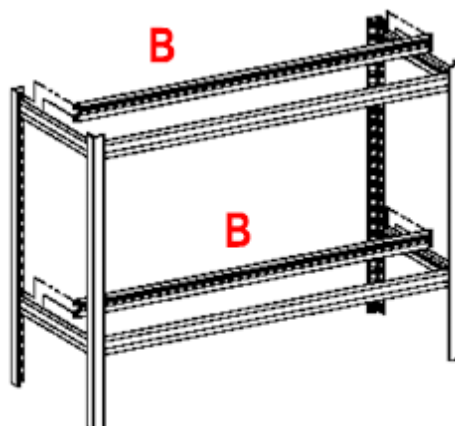
**Step 1.3** – Build the secondary bay end frame as per diagram 10. Please note that for stability the bottom shelf level needs to be in the 7<sup>th</sup> and 8<sup>th</sup> keyhole as illustrated.

**Diagram 10**



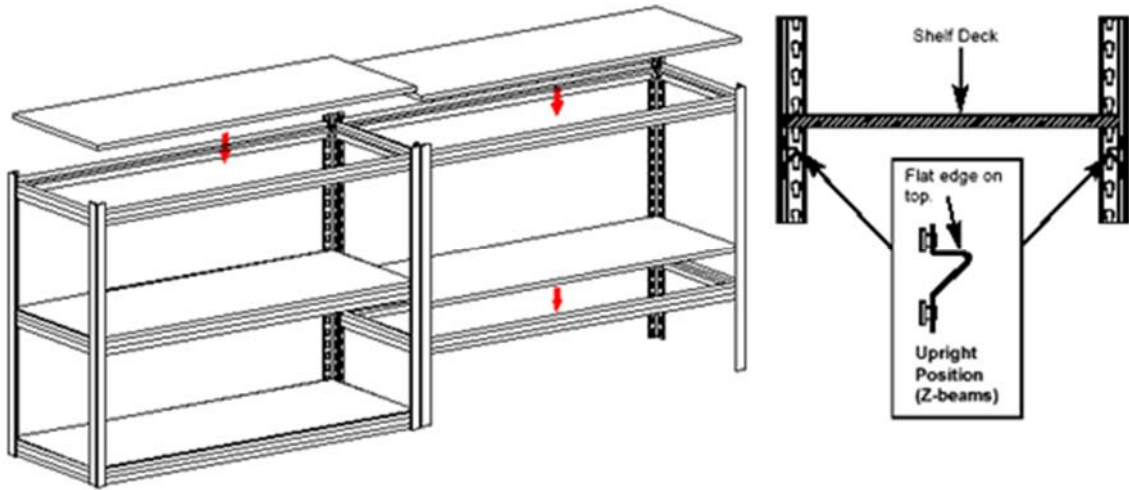
**Step 1.4** – Complete the secondary bay by repeating step 1.3 to form a second end frame and then joining together with long beams as per diagram 11

**Diagram 11**



**Step 1.5** – Position the workbench in final location then lay shelf decks on top of the beams as per diagram 12.

**Diagram 12**



**Step 1.6** – Secure the two bays by aligning the middle uprights and firmly clamping together with a post clip as per diagram 13. Do this for front and back. Finish the unit by inserting post caps on the top of the uprights.

**Diagram 13**

