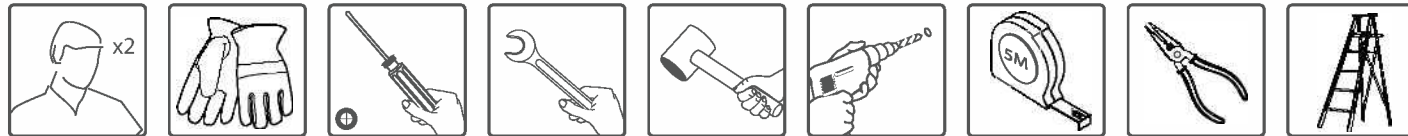
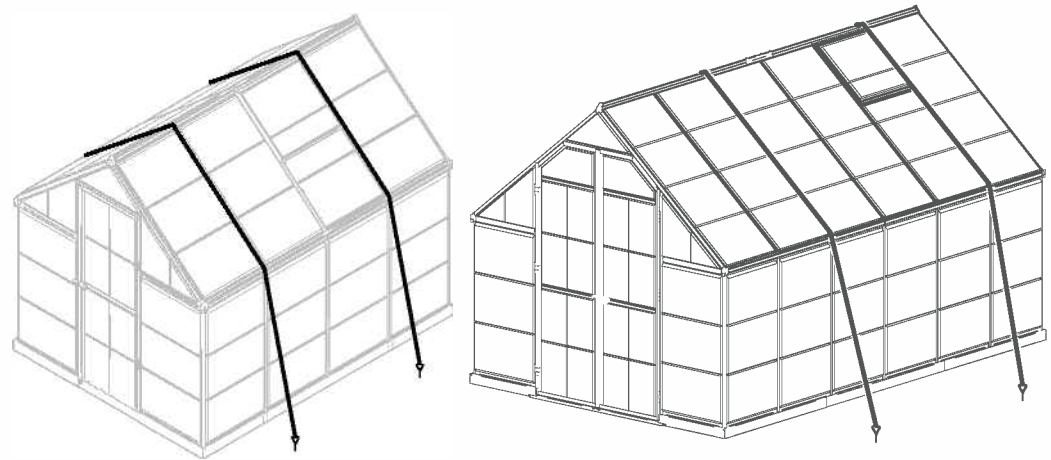




Assembly Instructions

Greenhouses Anchoring Kit

Suitable for: Harmony, Hybrid, Mythos, Octave, Balance, Essence Greenhouses



After Sale Service

Email: customer.service@palram.com

USA 877-627-8476
Canada 1 800-866-5749

England 01302-380775
Germany 0180-522-8778

France 0169-791-094
International +972 4-848-6942

www.palramapplications.com

IMPORTANT

Greenhouses Anchoring Kit for: Harmony, Hybrid, Mythos, Octave, Balance, Essence
PALRAM's Greenhouse Greenhouses
Please read these instructions carefully before you start to assemble this product.
Please carry out the steps in the order set out in these instructions.
Keep these instructions in a safe place for future reference.

Before you start

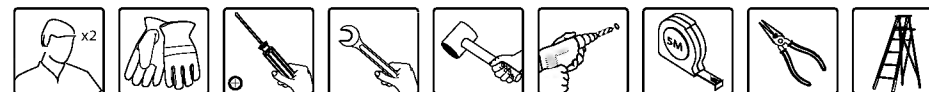
- ✓ It is highly recommended to be assisted by a second person in some steps.
- ✓ Sort the parts and check according to the contents parts list.
- ✓ The product must be positioned and fixed on a leveled surface.
- ✓ Make sure that screws and anchors suit the surface type.
- ✓ Please be safe during assembly.

Safety

- ✓ This product should be mounted to the ground as shown in these instructions in order to ensure greenhouse's stability and appropriate wind resistance.
- ✓ Some parts may have sharp edges. Please be careful when handling components.
- ✓ Always wear gloves, eye protection, and long sleeves when assembling or performing any maintenance on your product.
- ✓ If using a stepladder or power tools please ensure that you follow the manufacturer's safety advice.
- ✓ Do not lean the stepladder against the greenhouse.
- ✓ Do not stand on the greenhouse roof/panels
- ✓ To prevent injuries, do not allow children to play under the greenhouse during assembly.
- ✓ Do not attempt to assemble the greenhouse in windy or wet conditions

You will need

To assembly this product
(these items not supplied)

**Care and Maintenance**

- 1 Periodically check the product to assure that it remains stable.
- 2 Keep roof clean of snow.

During Assembly

i During assembly you will encounter the information icon, please refer to the relevant assembly step for additional comments and assistance.

Step 4 : cable should not be placed over the window vent, in order not to block window opening

Step 5 : According to the ground surface type, follow the appropriate mounting procedure.

Option 1 : soft/ground installation.

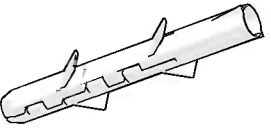
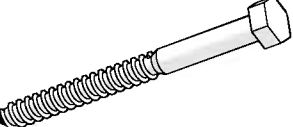
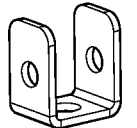
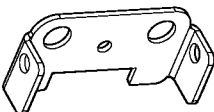


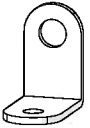
Option 2 : for hard surfaces (concrete or wood)

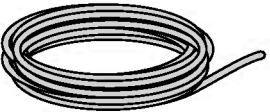
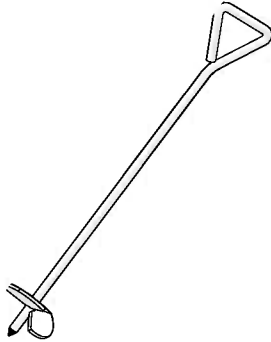
Step 7 : After the product has been installed, fasten the steel cable by turning part #7332



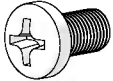


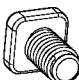
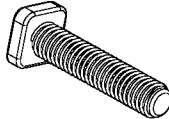

Tighten all screws when completing assembly.

It is possible to cut the rest of the steel cable only after a final decision on the mounting location has been made.

Contents

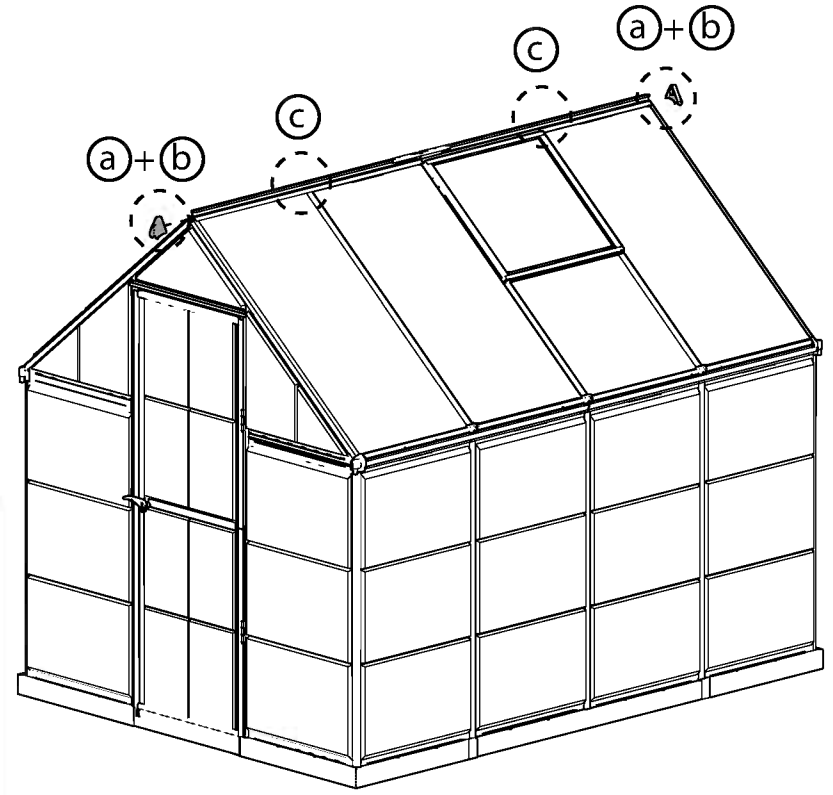
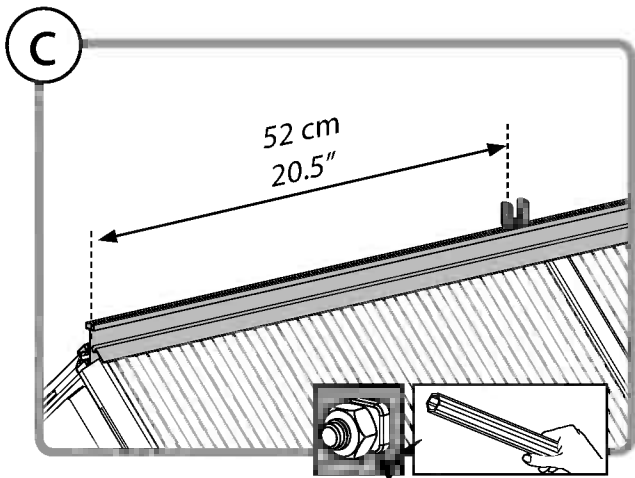
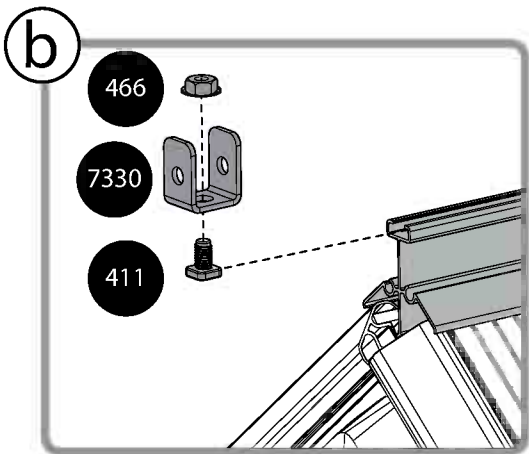
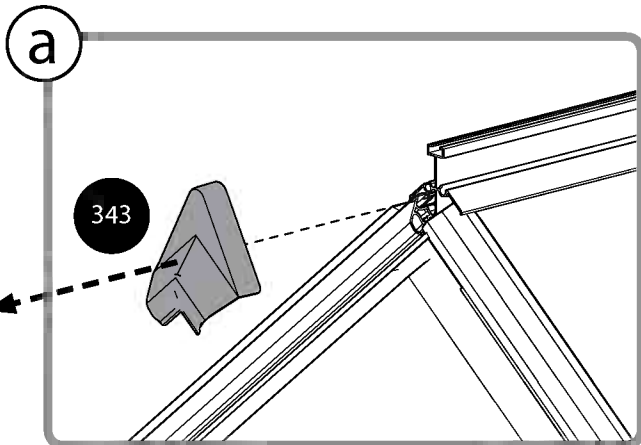
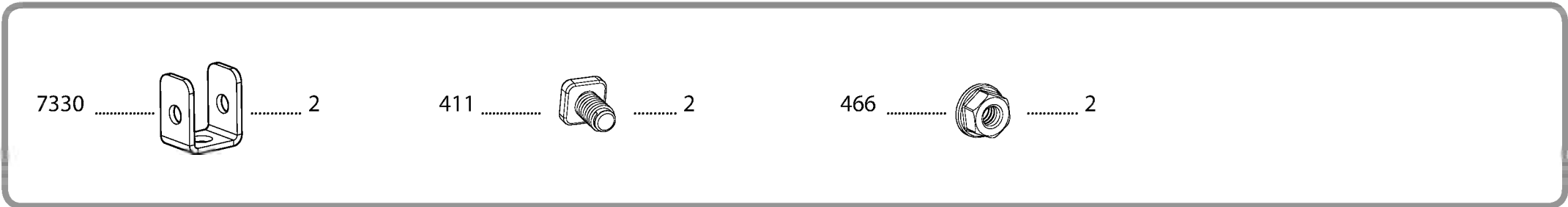
Item		Qty.
4010		4
4000		4
7330		2
7329		4
7333		4
7332		2
7331		4

Item		Qty.
7327		2
7336		4

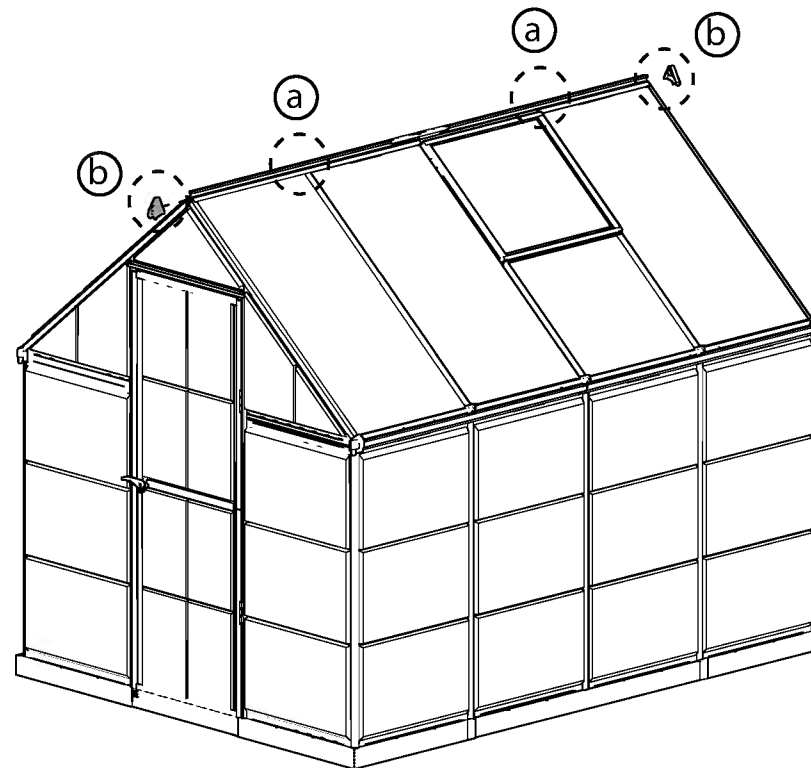
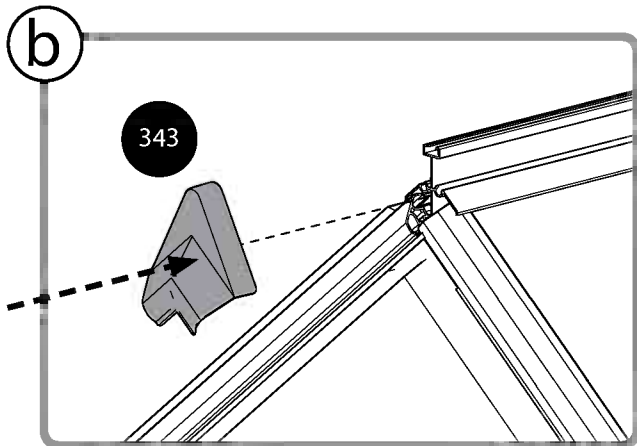
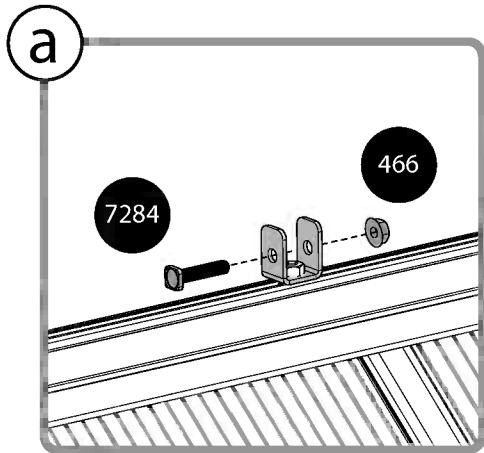
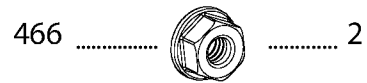
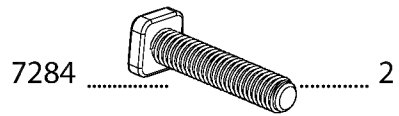
Item		Qty.
414		2
433		6
7283		2
4043		4
466		8
411		2
7284		2
7224		4

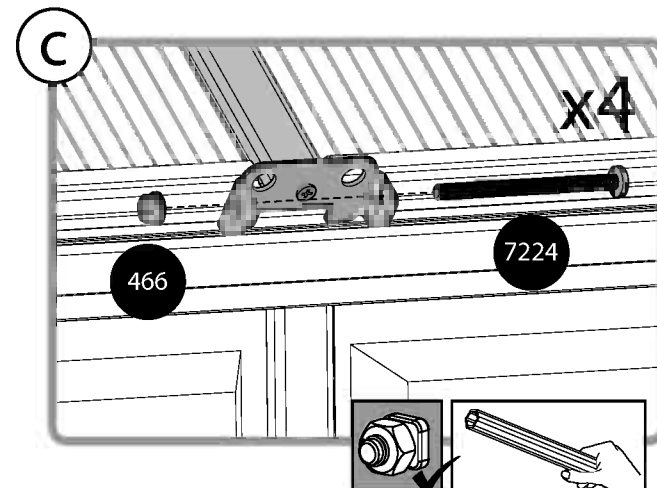
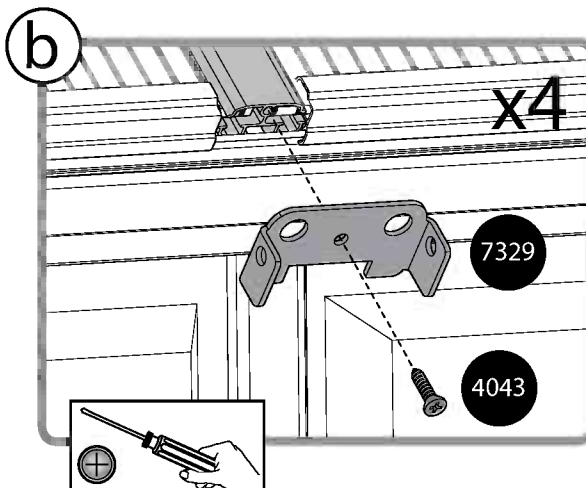
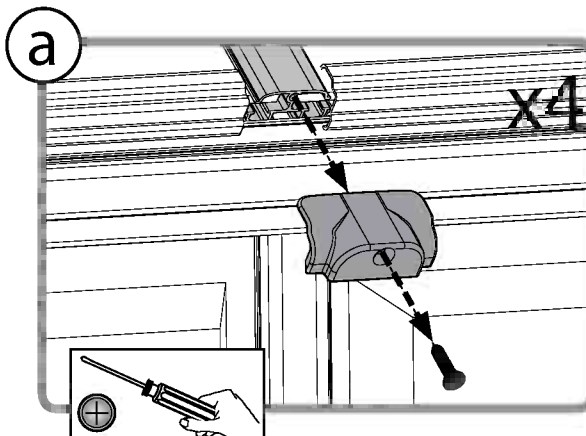
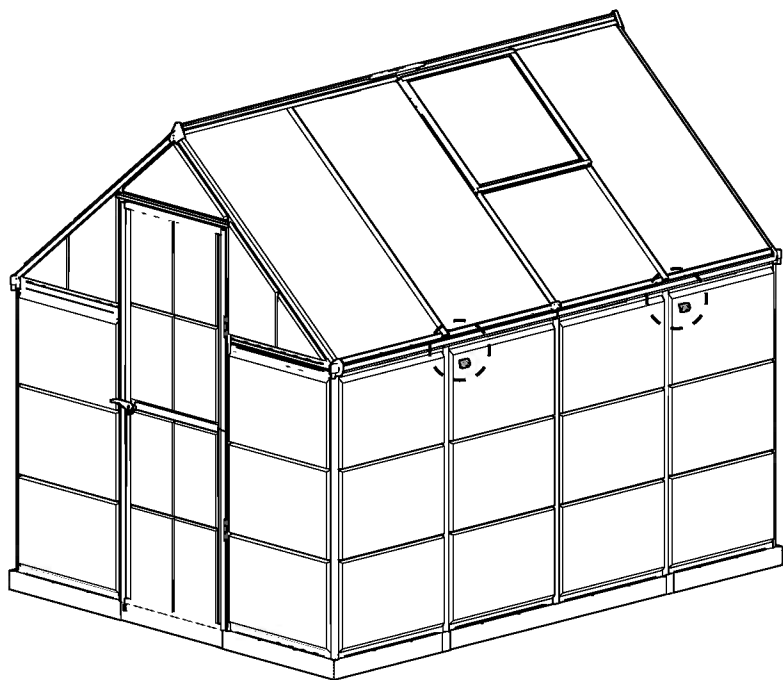
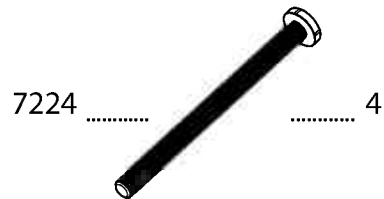
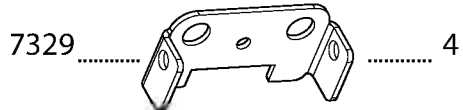
1

7330 2 411 2 466 2



2

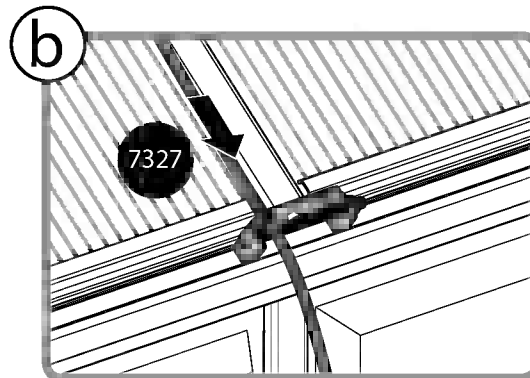
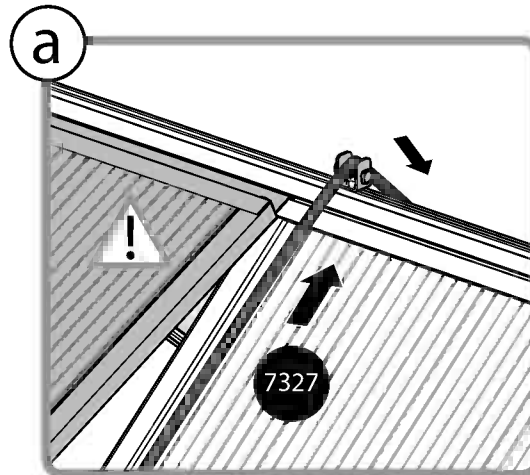
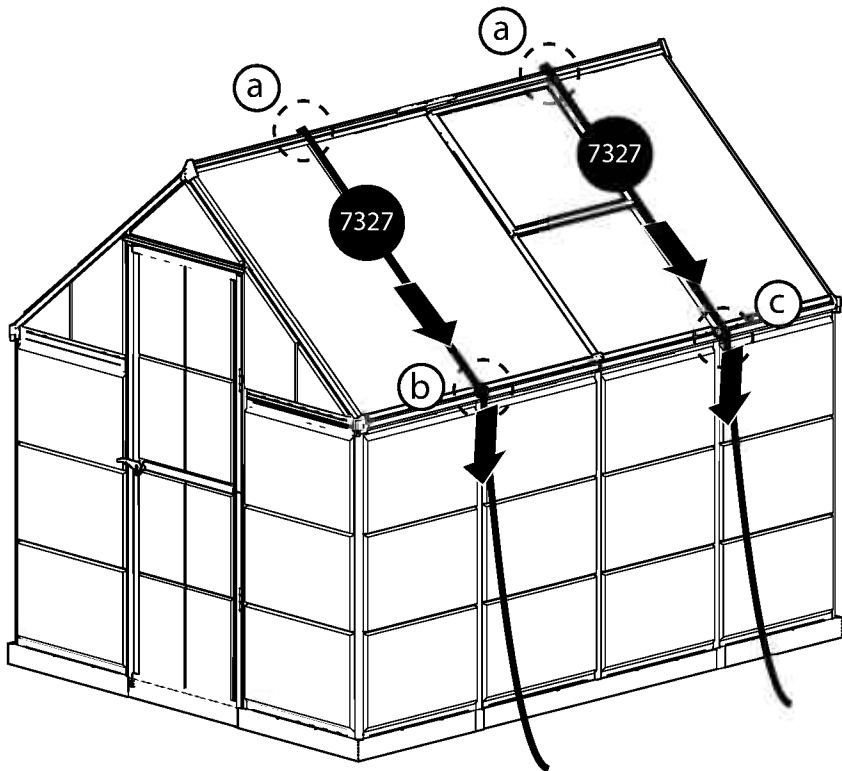




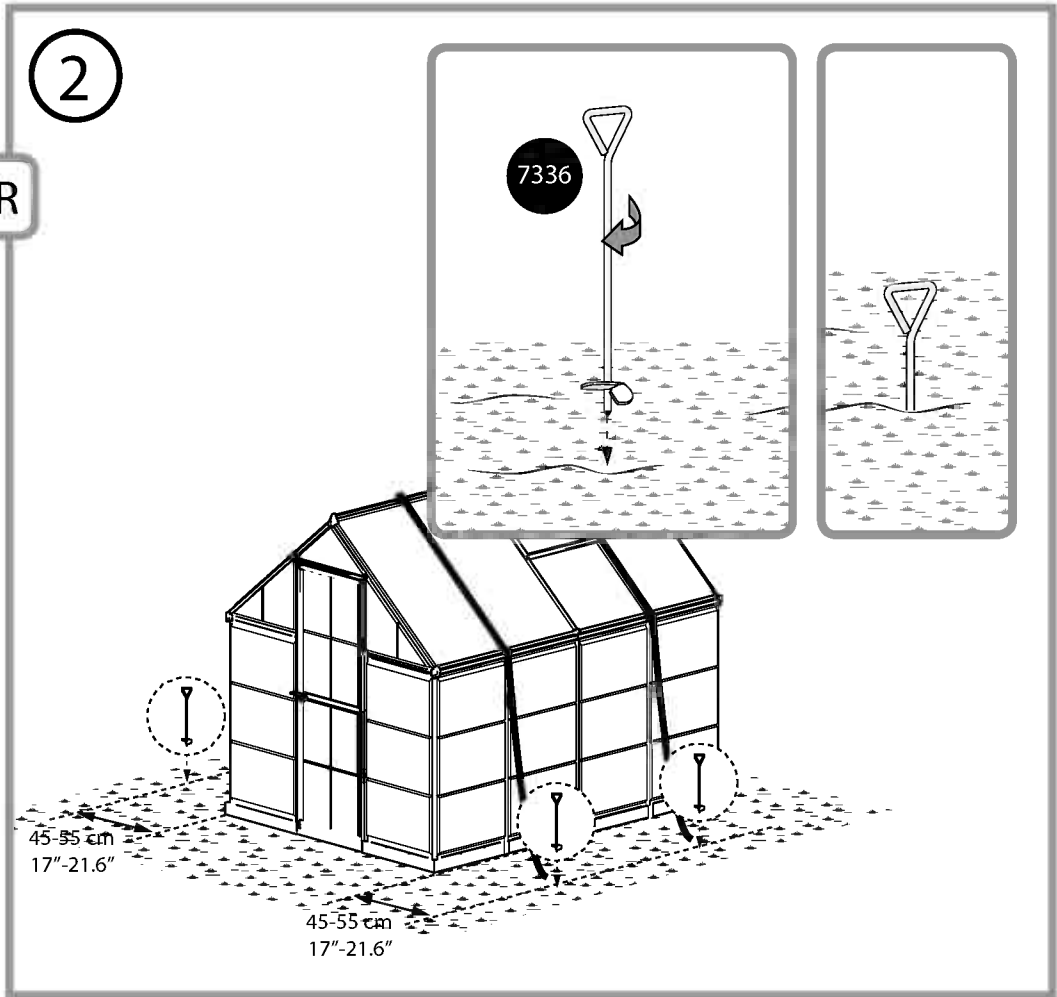
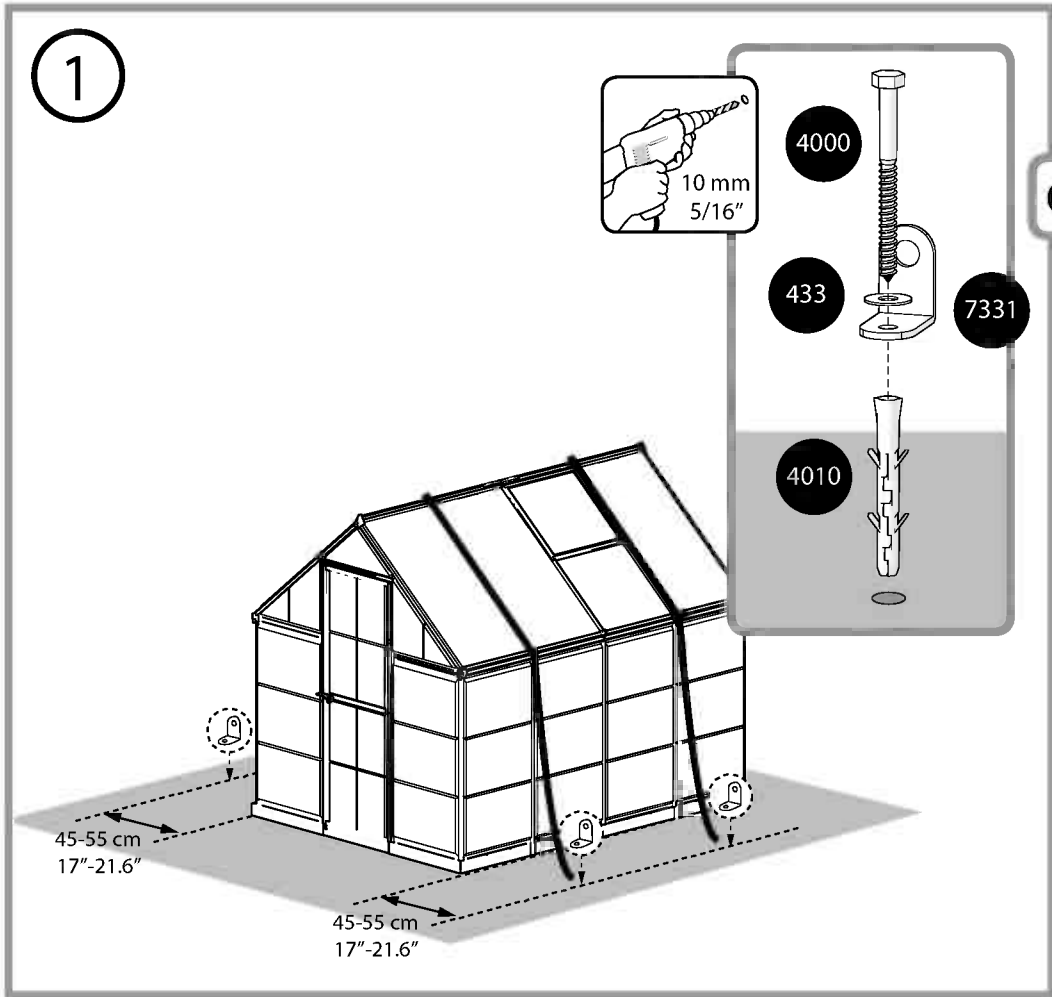
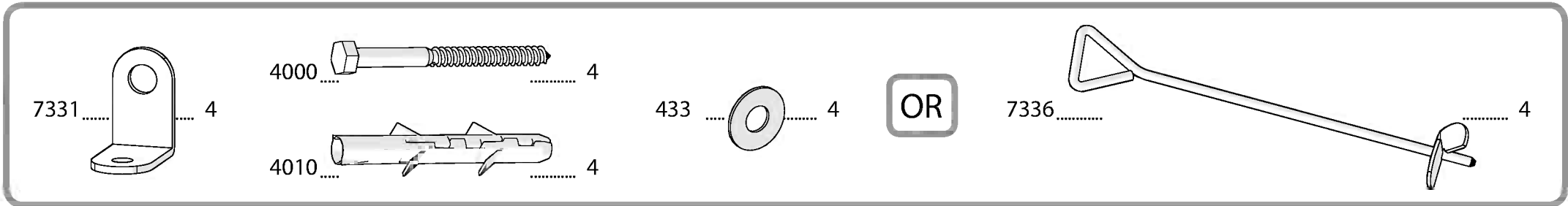
4



7327 2

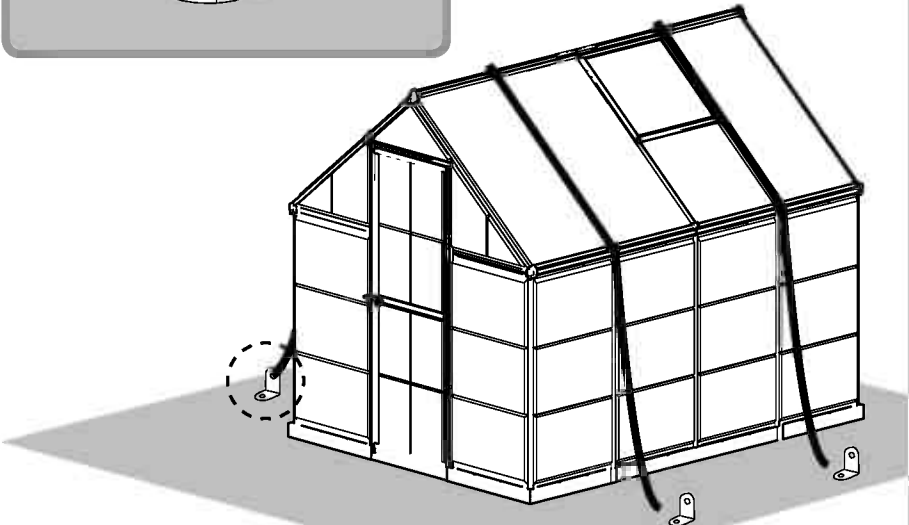
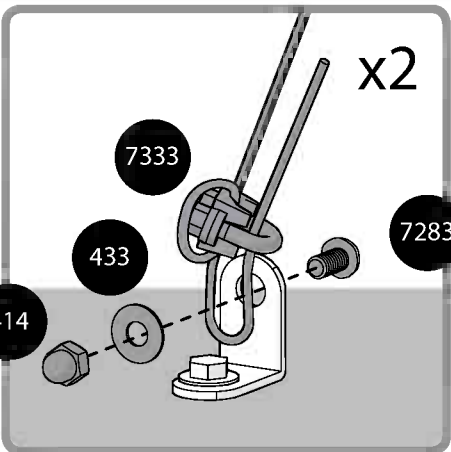


5 **i**



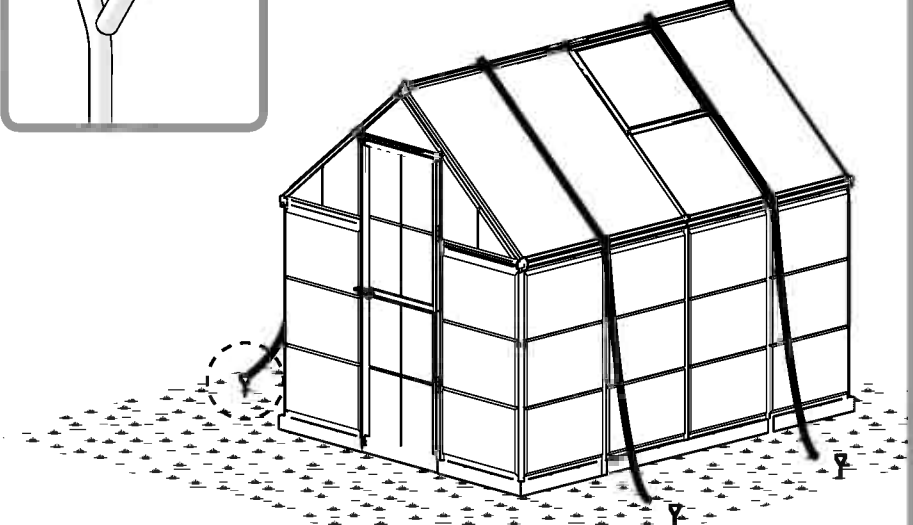
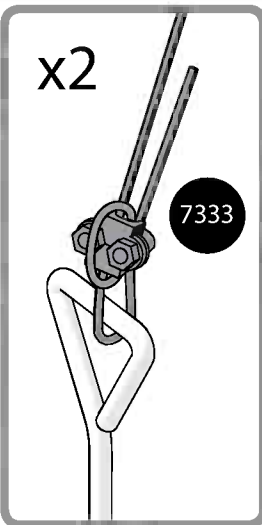
- 7333..... 2 7283..... 2 414 2 433 2

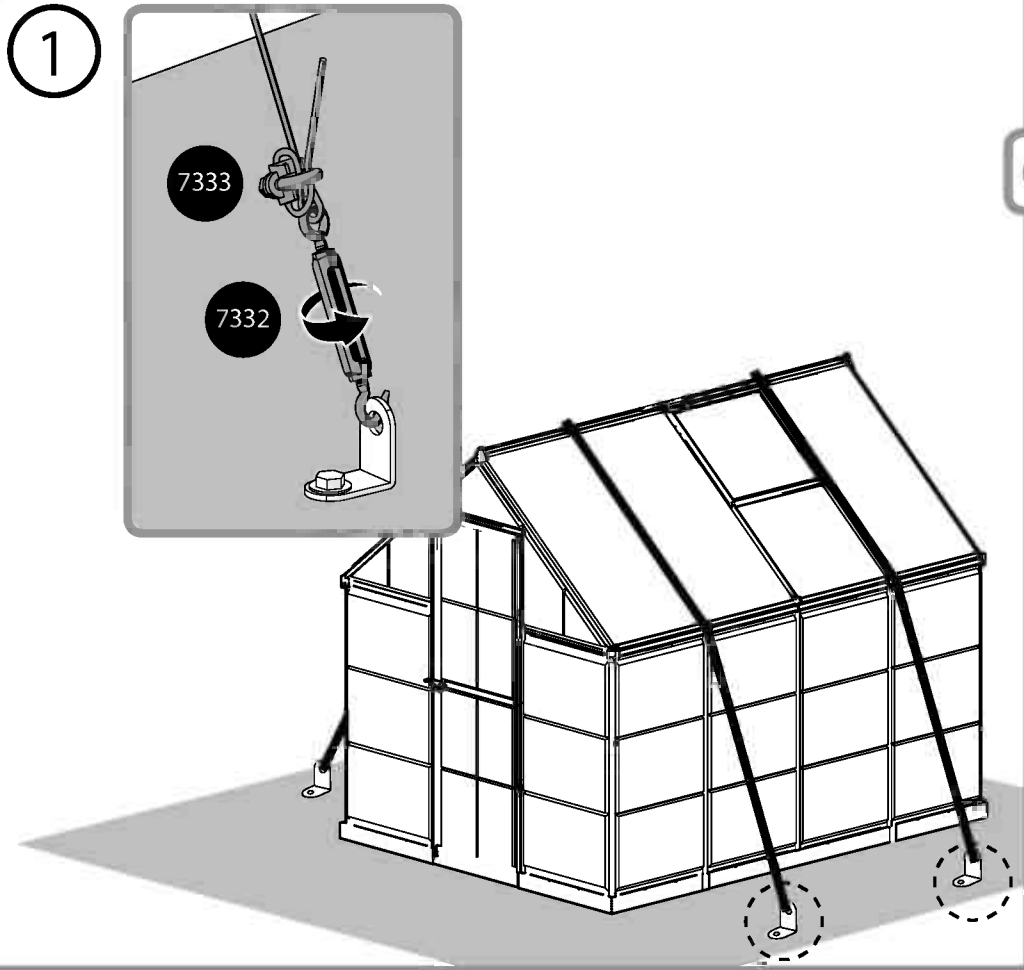
1



2

OR





OR

