

SCUBAJET®



USER MANUAL SCUBAJET PRO

V1.0

CONTENTS

I	Introduction	3	VI	Using SCUBAJET while diving, snorkeling and swimming. .22	
II	Product Details	5	6.1.	Contents of Dive Controller Dual Hand	23
III	Parts and Technical Specifications SJ PRO	6	6.2.	Using the Dive Controller on the SCUBAJET	24
3.1.	Contents of SJ PRO DIVE package	6	6.3.	Display Dive Controller PRO	26
3.2.	Contents of SJ PRO SUP package	8	6.4.	Menu Dive Controller Pro	27
3.3.	Technical Specifications	9	VII	After using SCUBAJET.	28
IV	SCUBAJET in use	10	7.1.	Changing the tube	30
4.1.	Introduction	10	VIII	Battery Use & Care Information	32
4.2.	Preparing the Scubajet	11	8.1.	Battery use	33
4.3.	Charging the SCUBAJET batteries with the battery charger ..	12	8.2.	Charging batteries	34
4.4.	Charging the remote control for use on SUP	13	8.3.	Storing batteries	35
V	Using the SCUBAJET on your SUP.	14	8.4.	Buying batteries	35
5.1.	Contents of Remote Controller Pro Bundle	15	IX	Important Safety & Operating Information	36
5.2.	Using the Finbox Adapter and BT Link on your SUP ..	16	9.1.	Danger Warning for Risk of Injury to Yourself or Others	36
5.3.	How to use the Remote Control	18	X	Warranty Terms.	44
5.4.	Display Remote Controller	20	10.1.	Warranty Process	46
5.5.	Menu Remote Controller	21	XI	Transportation of the SCUBAJET	47

I INTRODUCTION

Dear customer,

Thank you for choosing SCUBAJET. Our goal is to make water sports activities more awesome. SCUBAJET is the most versatile and easy to handle water jet for paddle boarding, canoeing, diving, snorkeling and swimming, and it turns almost any existing water sports equipment into a powerful electric jet-assisted product within seconds.

Our products are made to the highest specifications when it comes to technology and design, featuring cutting-edge engines, innovational battery systems, and exceptional water jet propulsion technology.

We want to make sure you stay safe while using your SCUBAJET, so we created this manual with a lot of care. Now it's up to you, to read it carefully, so you may use your SCUBAJET properly and enjoy it for a long time.

If you have any comments, questions or issues please don't hesitate to contact us via support@scubajet.com.

We wish you a lot of fun with your SCUBAJET products!

DANGER

ELECTRICALLY OPERATED PRODUCT & WATER SUCTION EFFECT

Not recommended for children under 16 years of age. As with all electrical products, precautions should be observed during handling. In addition, water suction at the water intake may suck in hair, body parts or loose items.



II PRODUCT DETAILS

Nose cap

Optional:
500 Lumen LED light / 1500 Lumen LED light

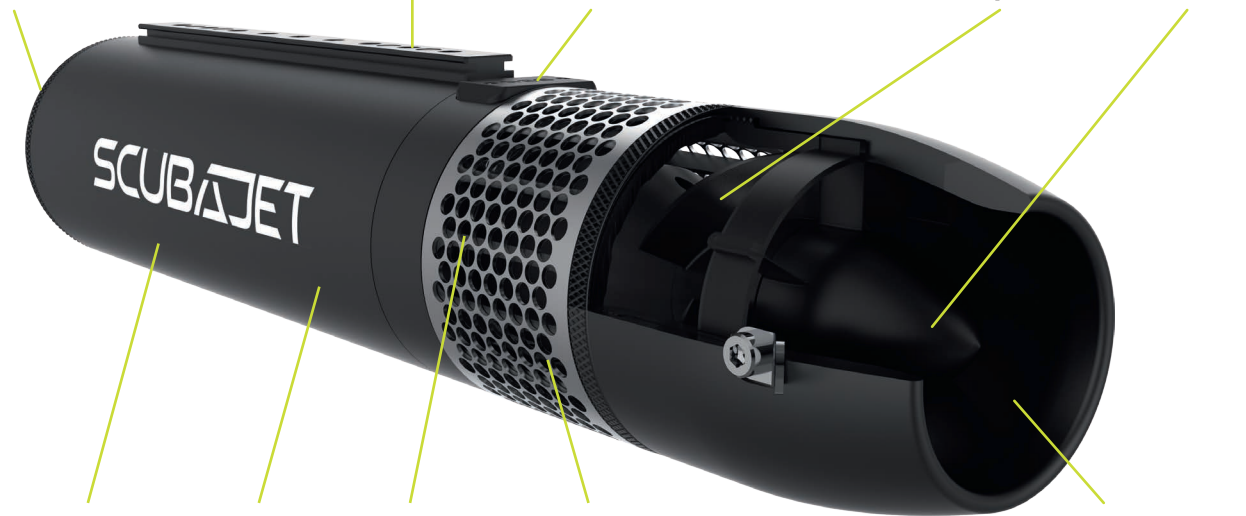
Accessory rail

SSC BT Link

Scubajet Smart Connect for Accessories

Impeller

Diffuser



Li-Ion battery

200 wh / 400 wh battery

Tube

Optional Silver Mesh

(not included)

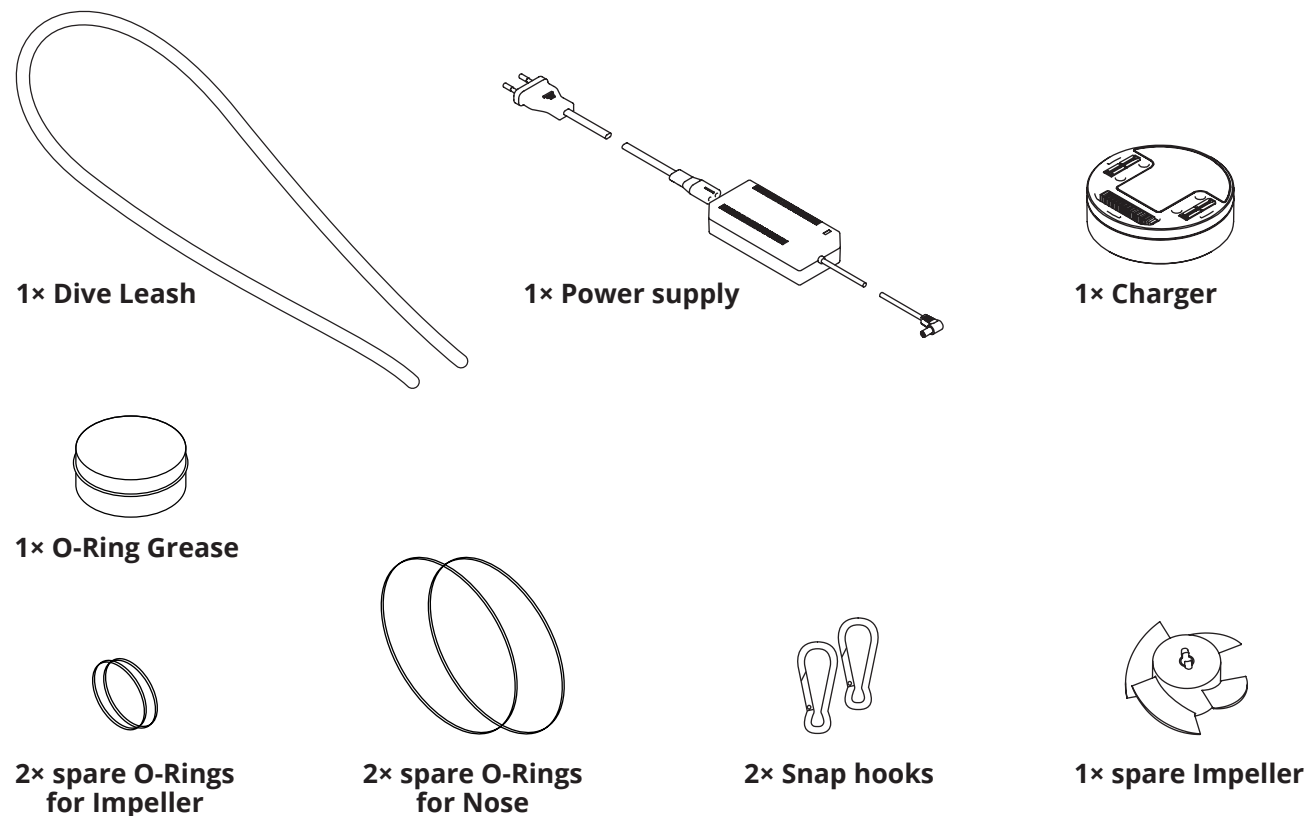
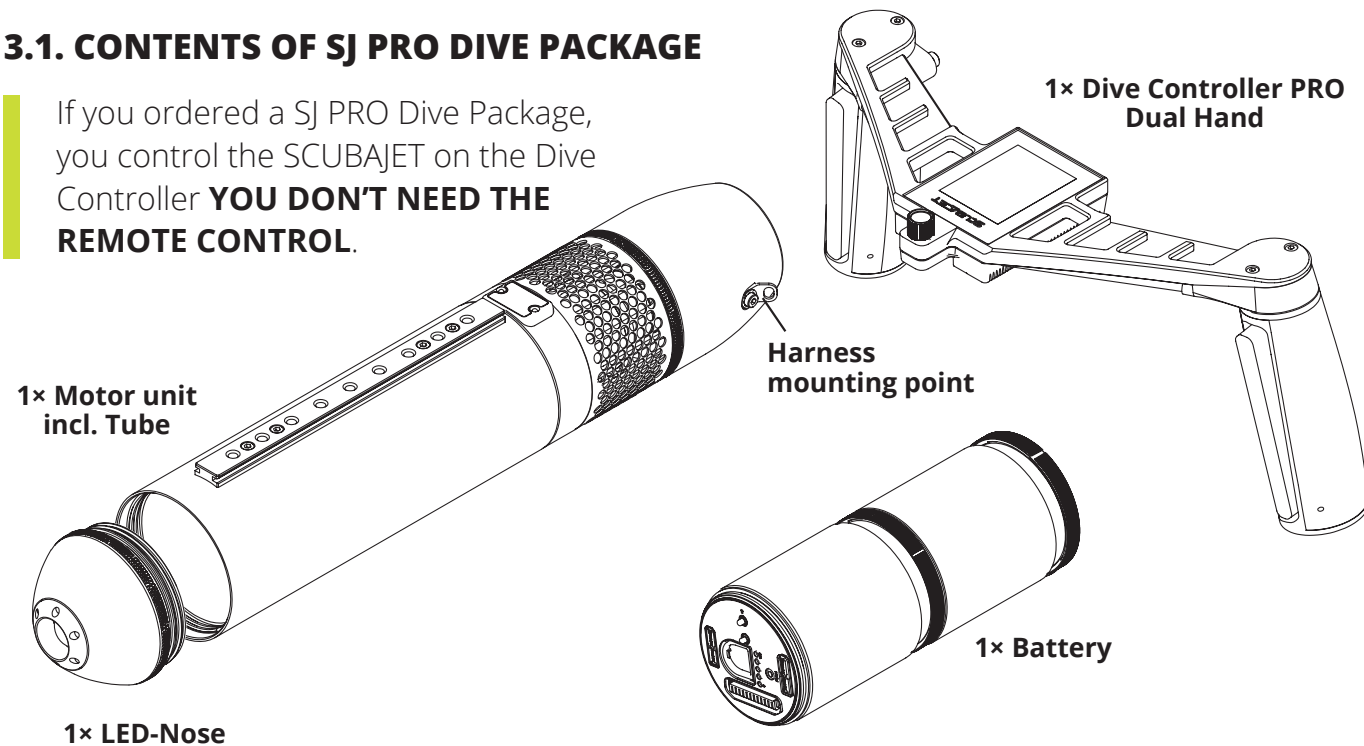
Water intake

Motor unit

III PARTS AND TECHNICAL SPECIFICATIONS SJ PRO

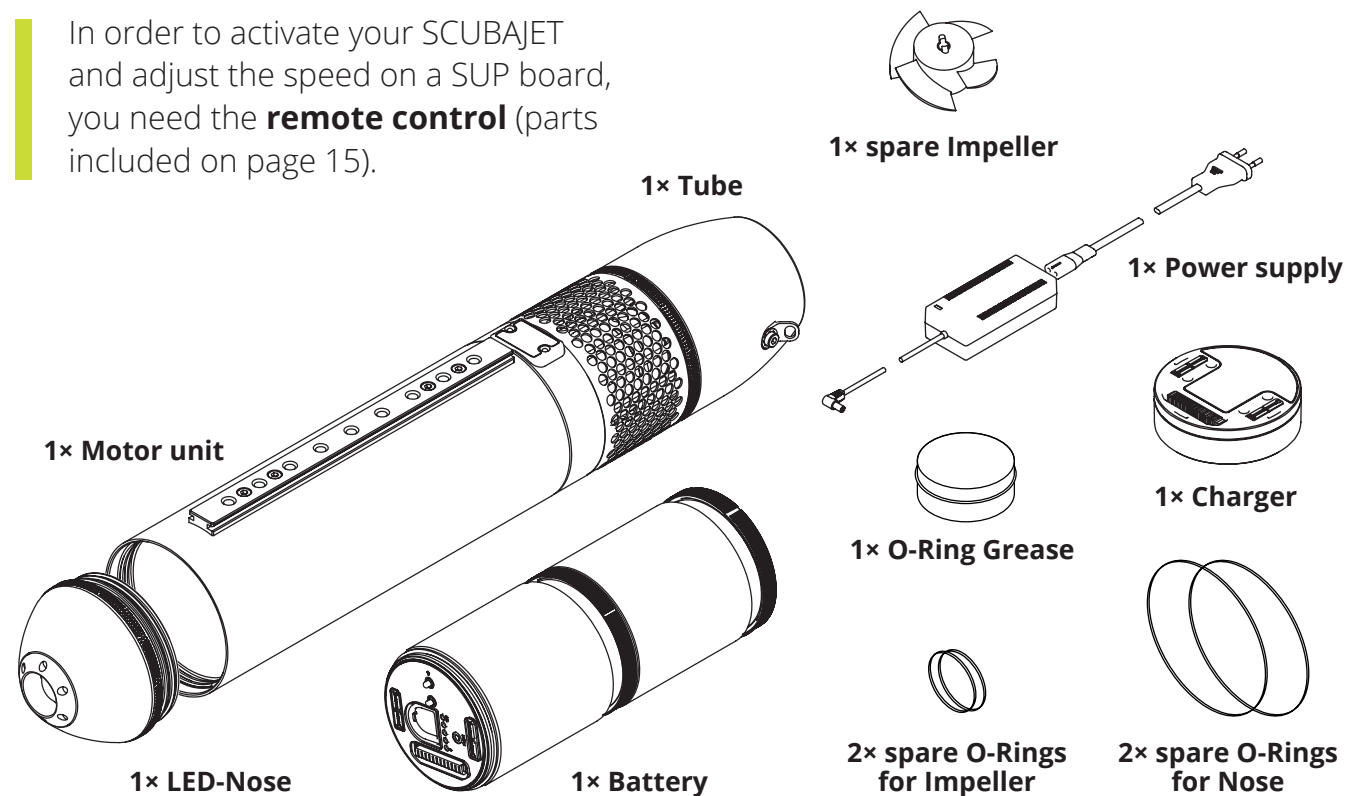
3.1. CONTENTS OF SJ PRO DIVE PACKAGE

If you ordered a SJ PRO Dive Package, you control the SCUBAJET on the Dive Controller **YOU DON'T NEED THE REMOTE CONTROL.**



3.2. CONTENTS OF SJ PRO SUP PACKAGE

In order to activate your SCUBAJET and adjust the speed on a SUP board, you need the **remote control** (parts included on page 15).



3.3. TECHNICAL SPECIFICATIONS

Data Sheet	SJ PRO 200	SJ PRO 400
Diameter	8 cm 3.14 inch	8 cm 3.14 inch
Length	43 cm 17 inch	61 cm 24 inch
Weight	3,2 kg 7.1 lbs	4,7 kg 9.3 lbs
Maximum thrust	15 kg 33.1 lbs	15 kg 33.1 lbs
Performance	1.000 W	1.000 W
Maximum depth rating	60 Meter 197 ft	60 Meter 197 ft
Buoyancy	1 kg 2.2 lbs negative (200 wh unit)	2 kg 4.4 lbs negative (400 wh unit)
Warranty	SCUBAJET: 2 years, BATTERY: 6 months	SCUBAJET: 2 years, BATTERY: 6 months



IV SCUBAJET IN USE

4.1. INTRODUCTION

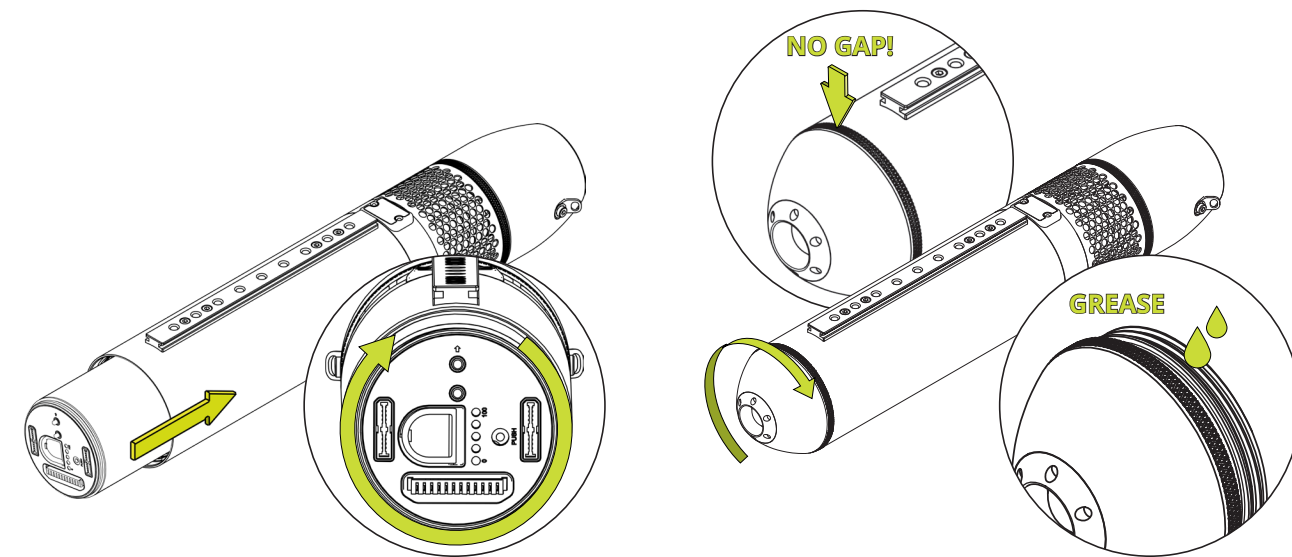
This section applies to the proper use of the SCUBAJET. Please follow each of the steps carefully in order to start your SCUBAJET.

Once the SCUBAJET is set up, go to the relevant section with your activity as follows:

For the use while snorkeling, swimming and diving go to section 6.

For the use on a SUP go to section 5.

4.2. PREPARING THE SCUBAJET



- 1 Make sure the battery is fully charged. Insert the battery. Rotate the battery clockwise by using the metal ring until the battery locks in place. Push the battery in until you hear a click, otherwise the the nose will not fit onto the tube. Assure, that the battery locks completely.

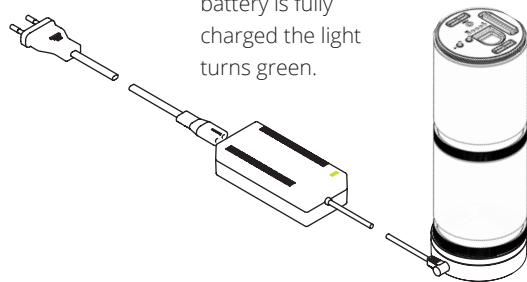
- 2 Make sure the nose is sufficiently lubricated. Assure that there's no gap between the tube and the nose, otherwise the SCUBAJET will be damaged while using in the water.

4.3. CHARGING THE SCUBAJET BATTERIES WITH THE BATTERY CHARGER

- 1 Put the battery in vertical position on the charger

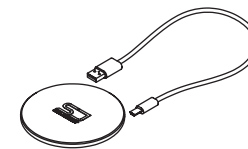


- 2 As soon as the battery is fully charged the light turns green.

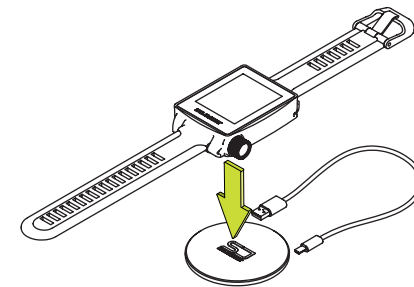


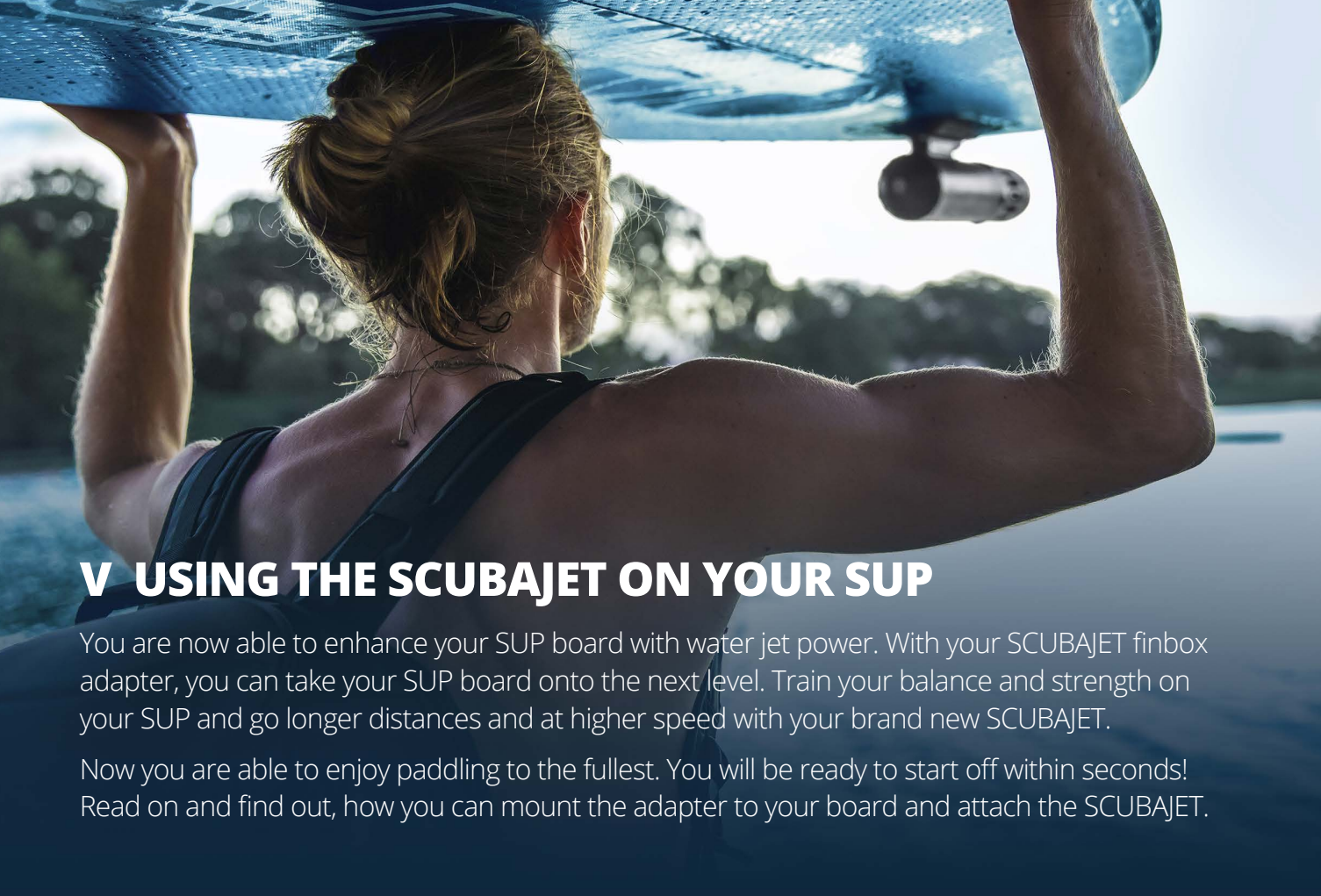
4.4. CHARGING THE REMOTE CONTROL FOR USE ON SUP

- 1 Connect the USB cable to the standard USB outlet.



- 2 Put the remote in the middle of the charger until the light changes from red to blue. Only when the light turns blue it starts to charge.



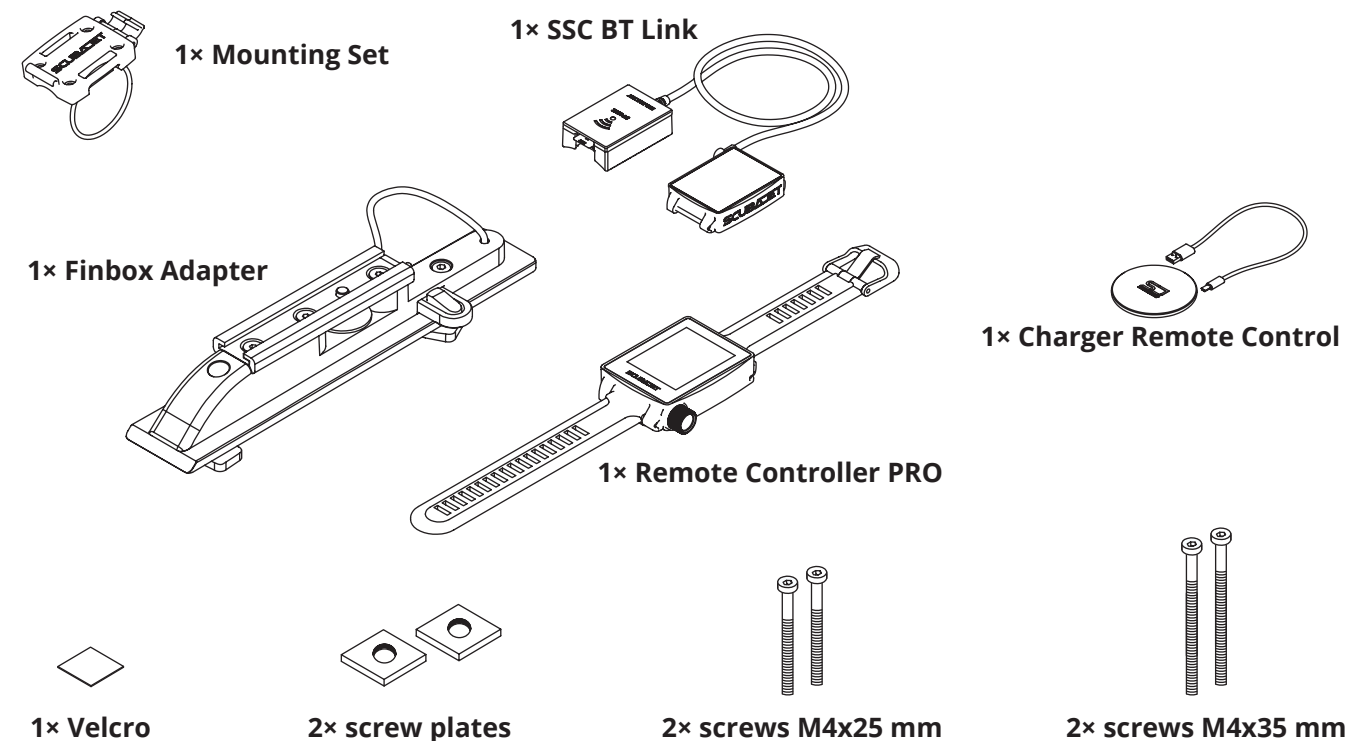


V USING THE SCUBAJET ON YOUR SUP

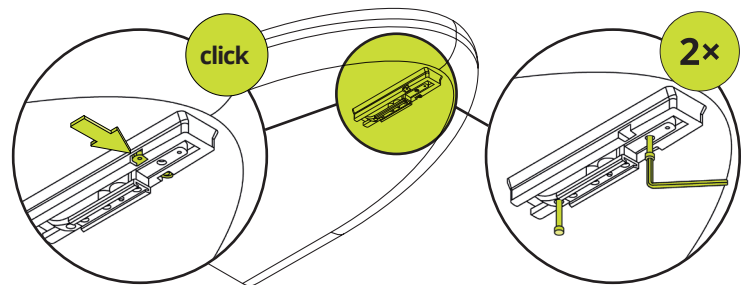
You are now able to enhance your SUP board with water jet power. With your SCUBAJET finbox adapter, you can take your SUP board onto the next level. Train your balance and strength on your SUP and go longer distances and at higher speed with your brand new SCUBAJET.

Now you are able to enjoy paddling to the fullest. You will be ready to start off within seconds! Read on and find out, how you can mount the adapter to your board and attach the SCUBAJET.

5.1. CONTENTS OF REMOTE CONTROLLER PRO BUNDLE

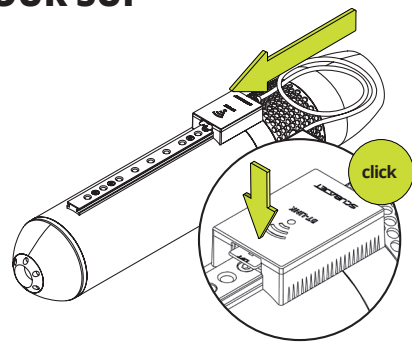


5.2. USING THE FINBOX ADAPTER AND BT LINK ON YOUR SUP

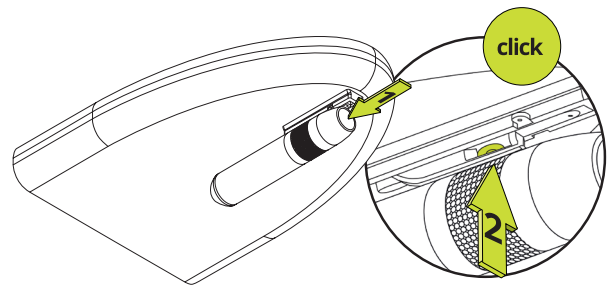


1A SlideIn Finbox: No screws necessary for the SlideIn Finbox. The clip must engage.

1B US Finbox: Tighten the screws with the Allen key.

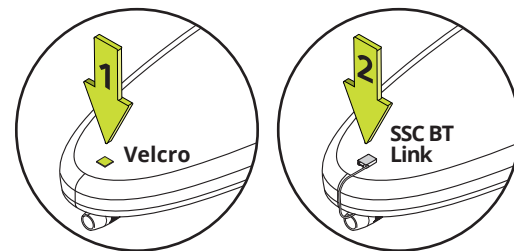


2 Attach the SSC BT Link to the SCUBAJET rail on the tube by holding the SCUBAJET upside. Wait until the SJ logo is blinking, then it's ready for pairing.



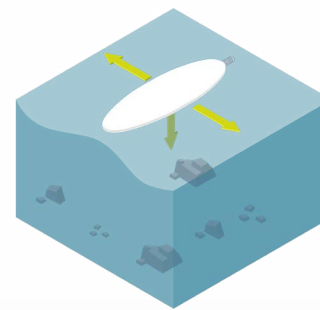
⚠ TIP
Put the board upside down in the water before mounting the SCUBAJET.

3 Make sure the SCUBAJET does not protrude over the edge of the SUP board.

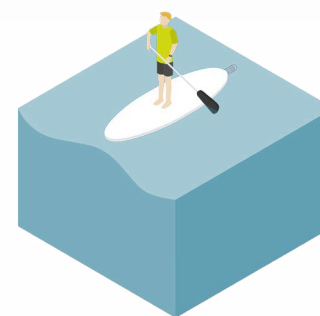


4 The SSC BT Link has to be placed on top of the board above the water surface.

1 Put the SUP with the SCUBAJET in the water and make sure that you have enough space and that you do not hit any obstacles.



3 Attach the remote control to your wrist, paddle, lanyard or the equipment so you cannot lose it in case you fall off.



2 Stand or kneel on the SUP and take the remote control.



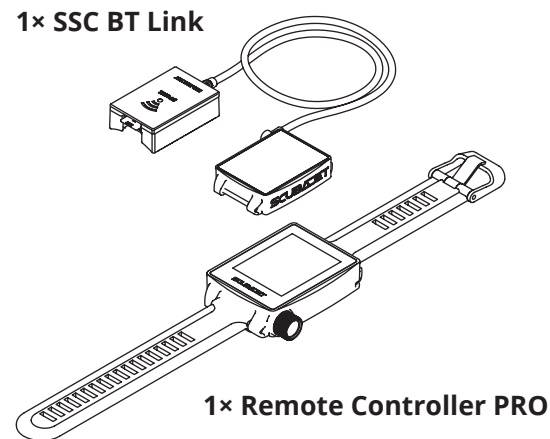
4 If you fall off the board, the SCUBAJET will stop when the distance between remote and SCUBAJET becomes too far.



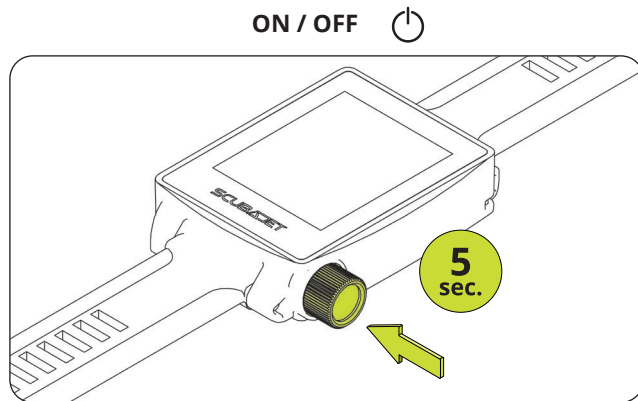
⚠ ATTENTION

If you fall off the board assure that the remote also falls into the water, otherwise the SCUBAJET won't stop.

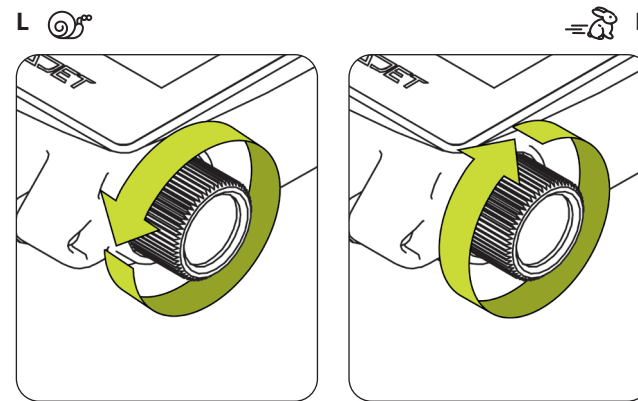
5.3. HOW TO USE THE REMOTE CONTROL



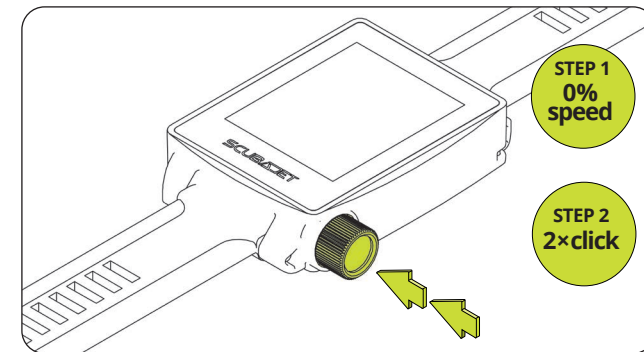
With your SCUBAJET SUP Package you will receive a remote control and the SSC BT link.



1 To turn on/off the remote control press the **button** for **5 seconds**.

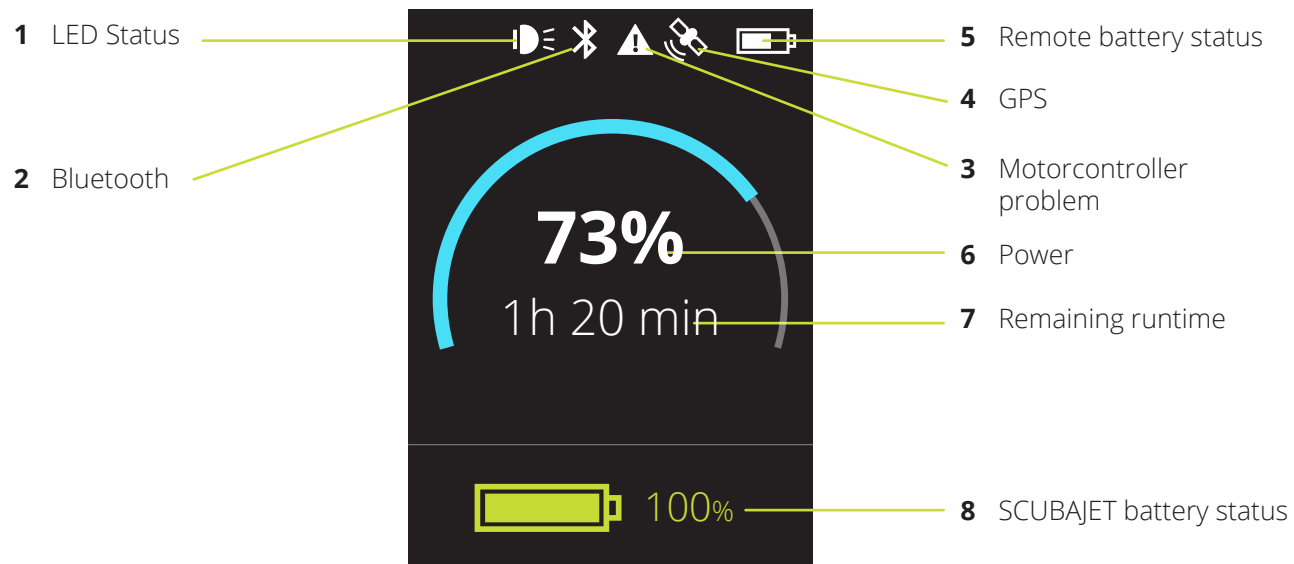


2 Turn it right to speed up or turn it left to slow down.



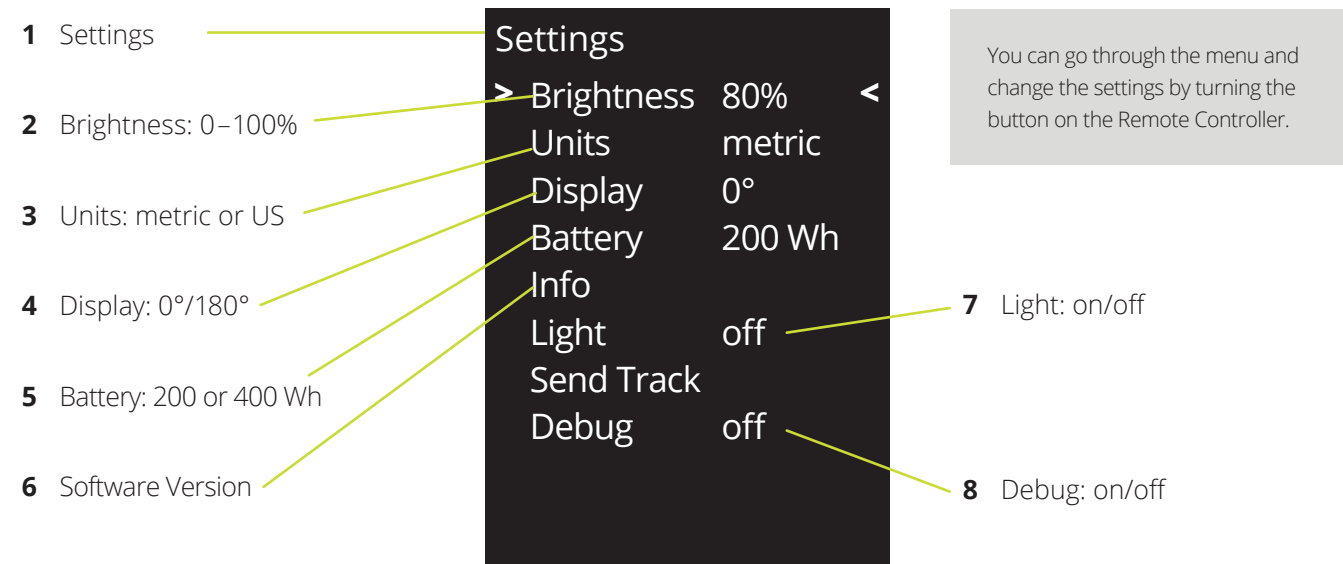
3 Activate/Deactivate the menu after setting the **speed to 0%** and press the **button two times**. You can adjust the menu settings with the button. Scroll to the item and click to change.

5.4. DISPLAY REMOTE CONTROLLER



5.5. MENU REMOTE CONTROLLER

To access settings menu page, set the speed to 0% and press the button on the right two times. Double-click again to return to regular display.

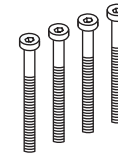
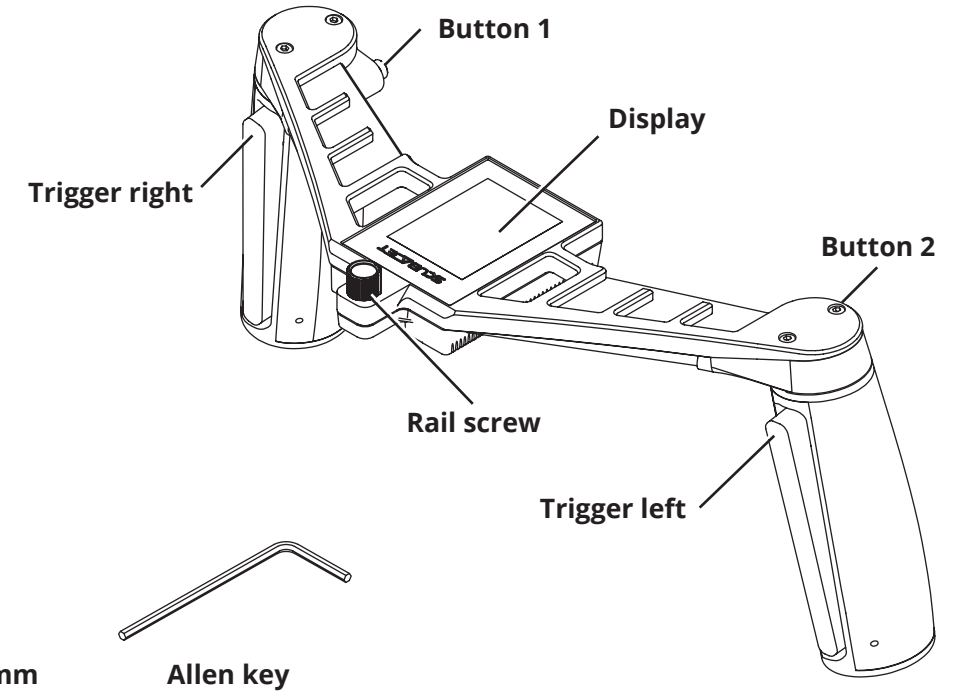


VI USING SCUBAJET WHILE DIVING, SNORKELING AND SWIMMING

You are holding the world's smallest dive scooter in your hands. By using your SCUBAJET with the Dive Controller Dual Hand, your underwater experience while diving, snorkeling or swimming will be enhanced. You will be ready to start off within seconds! Read on and find out, how to use the SCUBAJET with your diving equipment and how to handle on your next underwater adventure.



6.1. CONTENTS OF DIVE CONTROLLER DUAL HAND

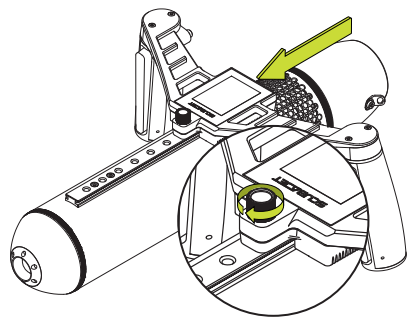


4x screws M3×16 mm

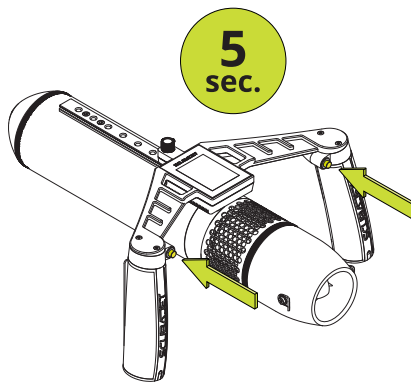


Allen key

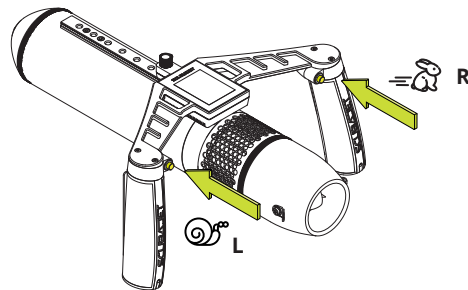
6.2. USING THE DIVE CONTROLLER ON THE SCUBAJET



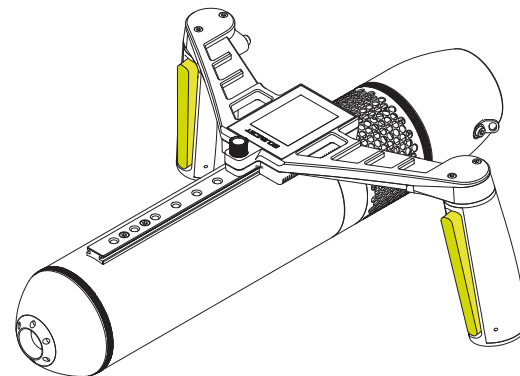
- 1 Attach the Dive Controller to the adapter rail on the tube. Fix the controller by turning the screw on the Dive Controller clockwise.



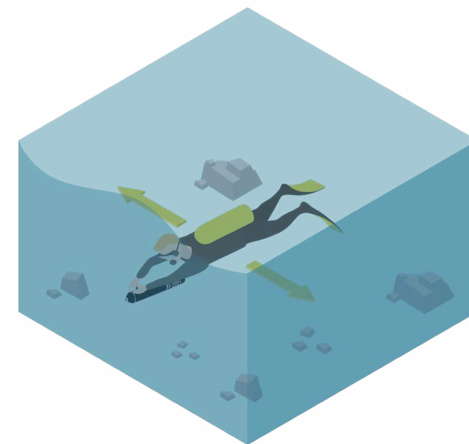
- 2 Turn the SCUBAJET on/off by pressing the 2 buttons on the dive controller for 5 seconds. To turn on/off the LED nose light, press/release both silver buttons simultaneously.



- 3 Push the right button to speed up or the left button to slow down.



- 4 You need at least 4% power to start the motor. To start, press both triggers on the Dive Controller. Once both triggers are squeezed to activate power, you can release one hand if desired and power will remain on until other trigger is released too. To stop the SCUBAJET, release both triggers.



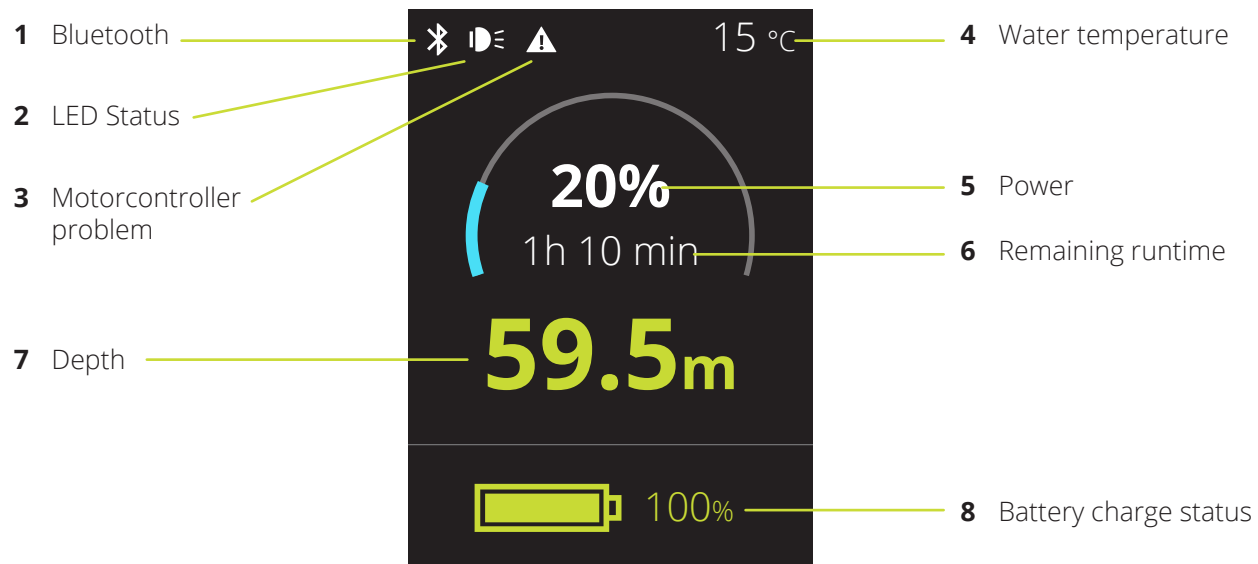
- 5 **Make sure SCUBAJET is completely underwater**, and that you have enough space so that you won't hit any obstacles. When using for snorkeling, do not dive deeper than you would usually do to ensure you can get back to the surface safely!

⚠ CAUTION

Do not stick body parts, clothing or other objects into the water intake (grille) of the SCUBAJET. Loose body parts (e.g. hair etc.) or flowing clothing or equipment could be drawn into the water intake (grille) due to caused suction!

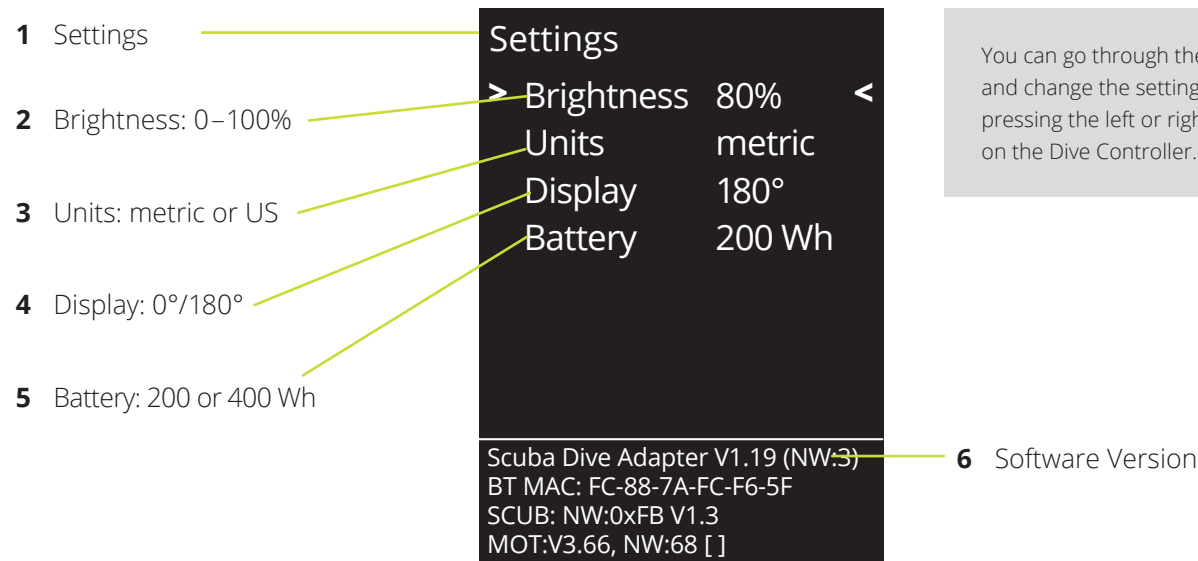
NEVER run Scubajet outside of water for more than 1 second.

6.3. DISPLAY DIVE CONTROLLER PRO



6.4. MENU DIVE CONTROLLER PRO

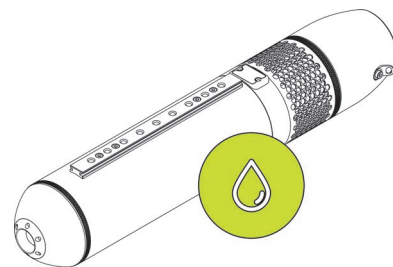
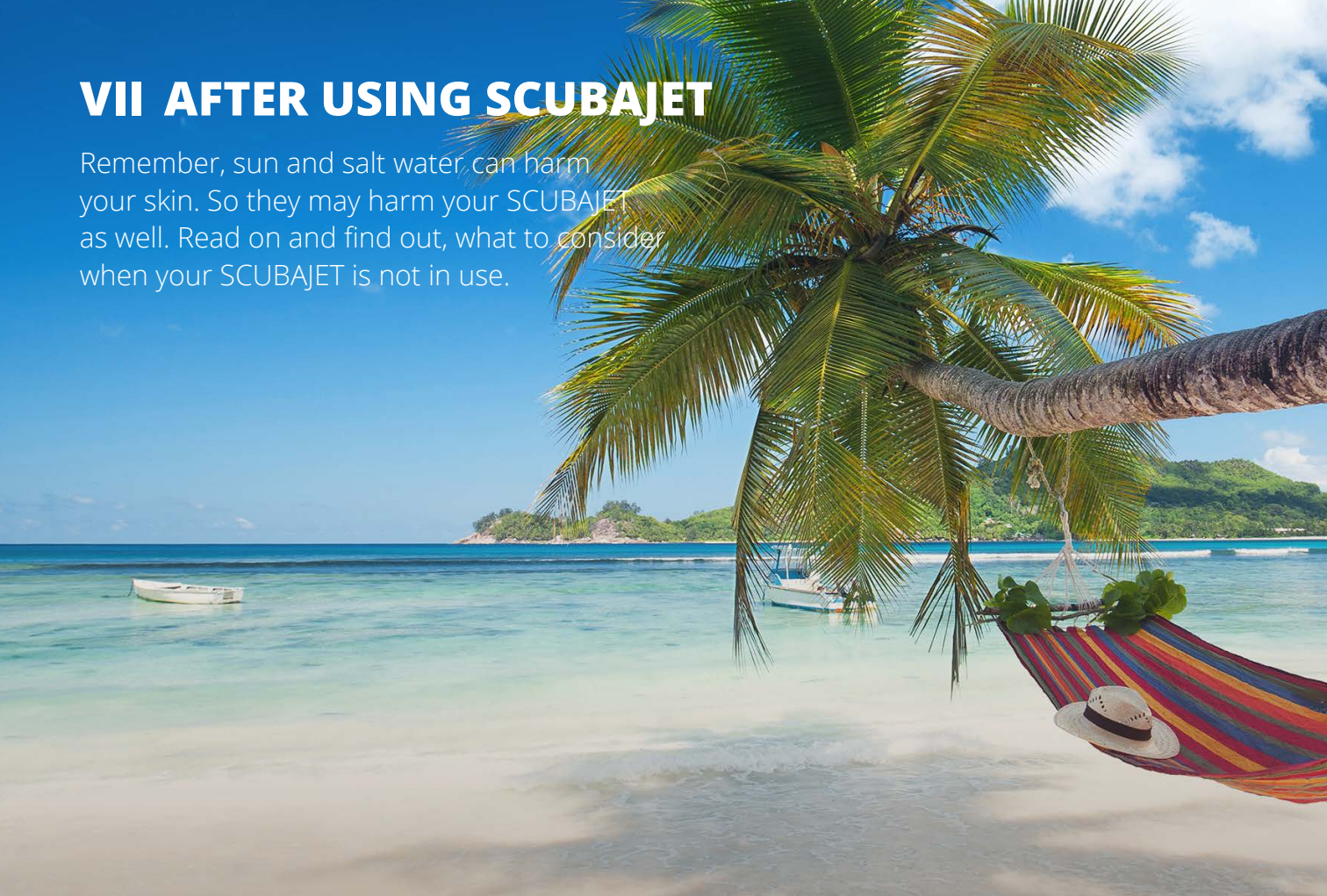
To access settings menu page, double-click both triggers simultaneously while the SCUBAJET is on. Double-click again to return to regular display.



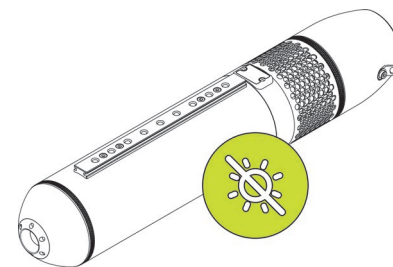
You can go through the menu and change the settings by pressing the left or right button on the Dive Controller.

VII AFTER USING SCUBAJET

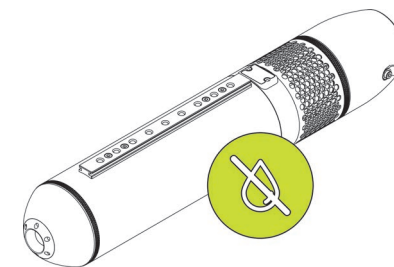
Remember, sun and salt water can harm your skin. So they may harm your SCUBAJET as well. Read on and find out, what to consider when your SCUBAJET is not in use.



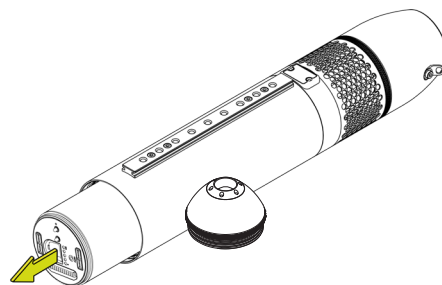
1 Rinse the SCUBAJET with fresh water after using.



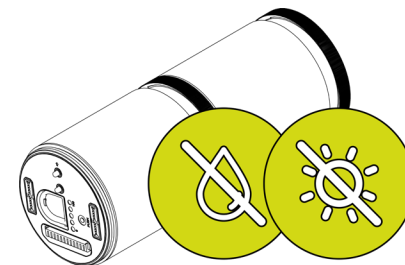
2 Try to keep the SCUBAJET in a shadowy place.



3 Wait until the SCUBAJET is dry.



4 Remove the battery.



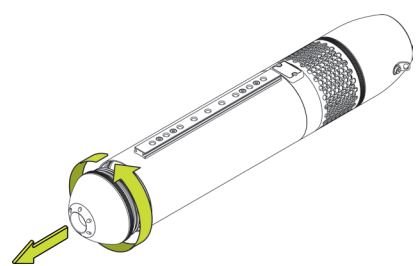
5 Keep the battery in a dry and shadowy place.

⚠ INFO

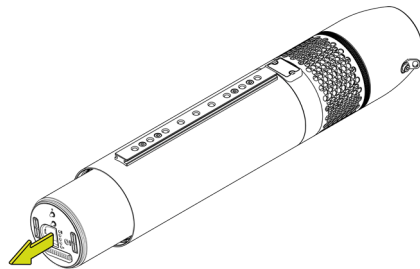
Use a container filled with fresh water to rinse the SCUBAJET. Put the SCUBAJET in the container and turn it on for about 10 seconds.

7.1. CHANGING THE TUBE

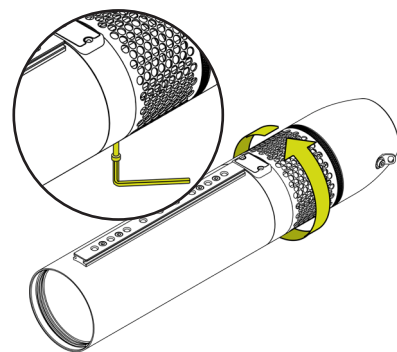
In case you'd like to change the model from SJ 200 to SJ 400 or reverse, please follow these steps.



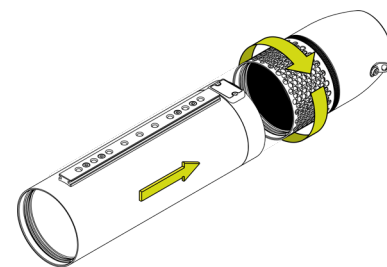
- 1 Twist the nose counterclockwise to open the SCUBAJET.



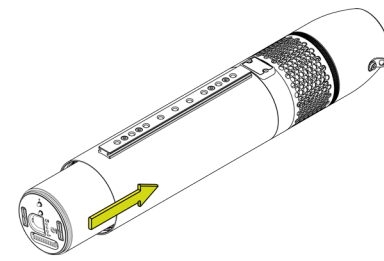
- 2 Remove the battery.



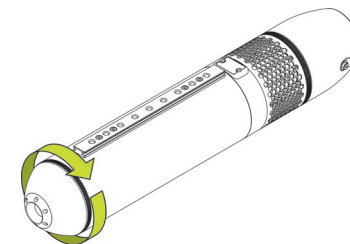
- 3 Remove the locking screw with the Allen key, then unscrew the motor unit counterclockwise to remove the tube.



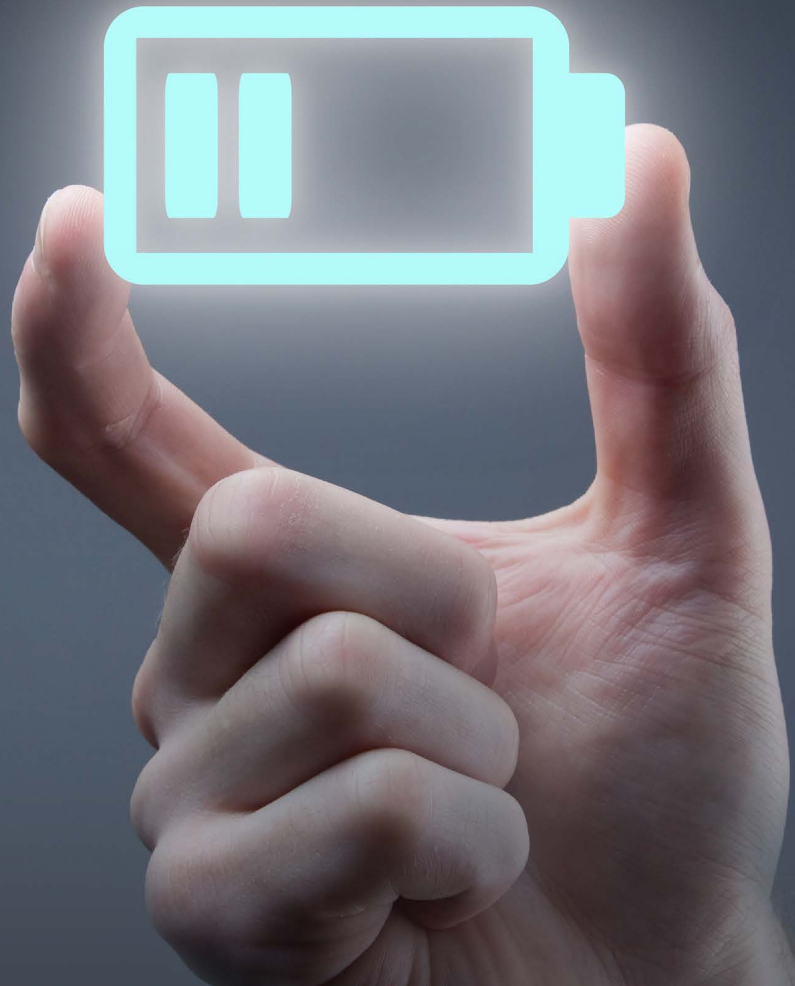
- 4 Put on the other tube and twist it clockwise to close it, then use the Allen key to put the locking screw back into place.



- 5 Insert the battery.



- 6 Close the nose cap by twisting it clockwise by hand. Take care: NO GAP!



VIII BATTERY USE & CARE INFORMATION

Your SCUBAJET works with a Li-Ion battery, that needs to be handled with care. Please read this manual carefully and follow the instructions below to prevent accidents and injuries.

8.1. BATTERY USE

To ensure proper use of battery, read the following.

- Keep the battery in a dry area with enough ventilation where children do not have access and overheat. Ignition cannot happen.
- The lifespan of the battery is longer when it is not stored in too hot environments for longer than necessary. Heat damages the battery.
- Do not put the battery in your SCUBAJET until shortly before use.
- Before removing the battery, open the nose and allow two minutes for any explosive gases to escape.
- Do not use the battery in temperatures above 60°C (140°F) as excessive off gassing may occur. Keep the battery and the SCUBAJET in the shadow when not in use.
- Always ensure the SCUBAJET is dried thoroughly before opening the nose.
- Never short circuit the battery or battery connectors.
- If the battery appears damaged or will not charge fully, the battery must be replaced.
- If battery life is noticeably reduced, the battery should be replaced.

Your SCUBAJET works with a Li-Ion battery that needs to be handled with care. Potentially explosive gases might be released during its normal cycle of use (off gassing). Make sure that you read the manual carefully. Failure to do so can result in an explosion.

8.2. CHARGING BATTERIES

To ensure proper charging of the battery:

- Always make sure the charger is dry before use.
- Recharge the battery after use within 24 hours and recharge the battery at least every 2 months.
- Always charge your battery to the fullest before using your SCUBAJET.
- Only use the charger supplied with your SCUBAJET package .
- Do not charge the battery in temperatures above 45°C (113°F) as significant off gassing may occur.
- Keep the battery and SCUBAJET in a dry and shadowy spot when not in use. Always connect the charger to the battery first and then plug the charger into the mains.

- After charging, disconnect from the mains first and then disconnect the battery from the charger.
- After charging is complete the battery will continue to off gas. You should wait at least 30 minutes after charging before removing the battery from the charger. Failure to do so could result in an explosion.
- Do not charge the battery while it is still inside the SCUBAJET.
- Do not charge the battery near water.
- The charger gets quite warm while in use.
- If in doubt of the state of the battery, recharge it until the indicator on the battery charger indicates a full charge (green light).

Charging should only happen in a well-ventilated area, away from children and open flames or other ignition sources (cigarettes, sparks). .

8.3. STORING BATTERIES

To ensure proper storing of battery, read the following:

- Do not store the battery in temperatures above 45°C (113°F) as significant off gassing may occur.
- Keep the battery and SCUBAJET in a dry and shady spot when not in use.
- If the battery is not to be used for an extended period of time, store it in a well-ventilated area and away from children, heat and ignition sources and recharge it every two months to maintain charge and avoid excess off gassing. DO NOT store the battery inside the SCUBAJET.

8.4. BUYING BATTERIES

Additional batteries may be purchased separately. Go to our online shop on www.scubajet.com for more information.

IX IMPORTANT SAFETY & OPERATING INFORMATION

9.1. DANGER WARNING FOR RISK OF INJURY TO YOURSELF OR OTHERS

We guarantee that our products meet the highest security and safety standards as long as they are used as suggested in our user manual.



- Children under the age of 16 should not be allowed to operate the SCUBAJET. Note that only healthy and experienced swimmers are allowed to use SCUBAJET.
- Do not use SCUBAJET while tired or under the influence of alcohol, drugs or medication. A moment of inattention may result in serious personal injury.
- Using the SCUBAJET during pregnancy is not allowed.
- Rinse with fresh water after each use, especially after use in salt water.
- Always charge the battery on a non-flammable base.

Ignoring the instructions in this manual or mishandling the SCUBAJET could cause malfunction, operational problems to the device, damage, or personal injury. SCUBAJET accepts no liability for any damage caused by actions that contradict this operating manual.

The battery of your SCUBAJET has been declared a hazardous item. Shipping companies must use original packaging to transport the product. Private transport is not affected by this rule. When undertaking private transport, ensure that the battery casing is not damaged.

👉 Handle SCUBAJET with care

- Ensure sufficient battery charge remains for return to shore or surface.
- Never open the battery casing (do not loosen the 3 screws on the bottom of the battery). Protect the battery from mechanical damage. If the battery casing is damaged:
 - Do not use the battery anymore and do not charge it. There is a risk of fire.
 - If electrolytes leak from the damaged battery, avoid skin contact and breathing in the gases. If you come into contact with the electrolytes leaking from the battery (e.g. on the skin or eyes), rinse the affected area thoroughly with clear water. Contact a doctor immediately.
 - Contact SCUBAJET for appropriate disposal advice of the damaged battery.
- Only charge the battery at environmental temperatures between 0°C (32°F) and 45°C (113°F).
- Please note that since 2009 lithium batteries with a capacity of >100 wh (per unit) may no longer be carried as luggage in passenger planes.

⌘ Mind the water intake

- Never stick body parts, clothing or other objects into the water intake (grille) of the SCUBAJET or even bring them close to it. Do not wear loose or flowing clothing or equipment that could be drawn into the water intake (grille) due to the caused suction.
- Particular care should be exercised when using the SCUBAJET by someone with long hair or near anybody with long hair. Users with long hair should tie it up or wear a swimming cap when using the SCUBAJET. The suction of the water intake may draw in loose body parts.
- Always check that no stones, rope, dirt or sand gets into the SCUBAJET and clean up those parts which are within easy reach regularly if necessary.
- Never stick body parts, clothing or other objects into the nozzle on the back of the SCUBAJET.
- Do not point the water jet towards your own or somebody else's face.

👁 Be aware of your surroundings

- Always inspect the swimming area to ensure it is free of hazards or obstacles such as boats and swimmers before using the SCUBAJET.
- Be aware of appropriate water levels, tidal changes, dangerous currents, weather changes and strong offshore winds. Always scout unfamiliar water.
- Be careful not to hit other items when diving with the SCUBAJET. Make sure to stay away from boats, bridges, rocks or any items which could hurt you.

The SCUBAJET should only be used for scuba by qualified divers.

Scuba-trained users will be able to use the SCUBAJET below 3m (10 ft) at their own discretion but they too are warned of the same risks. Ascending too fast, or holding one's breath during ascent may cause damage to their body.

 Pay special attention when diving

- If you are not trained/certified in scuba, you should not use the SCUBAJET below 3m (10ft) depth. The risk of suffering from pulmonary damage is the least within the range of 3m from the surface, though it cannot be eliminated entirely.
- When using the SCUBAJET for scuba, ascents and descents should be made in accordance with recognized diving practices.
- Be careful not to get stuck underwater when diving with the SCUBAJET. Make sure that you do not carry items that might get stuck and prevent you from a safe ascent.
- The SCUBAJET is used underwater with the dive adapter. The SCUBAJET power stops when both triggers are released.
- Only use the SCUBAJET underwater. SCUBAJET assumes no liability for off coming masks or goggles during use.

 SCUBAJET Equipment

- Please note that the SCUBAJET automatically limits the speed to avoid overheating the battery if you operate the motor at full speed in elevated environmental temperatures.
- The remote control shows speed level (in %) and remaining battery capacity (in %).
- The remote control has a safety function that stops the SCUBAJET when the remote control is under water. The remote control is used for activities above water, like SUP, canoe, kayak, dinghy or kayacat.

Always charge battery to its fullest before using the SCUBAJET.

Wait at least 30 minutes after charging before removing the battery from the charger or placing the battery into the battery housing. Failure to do so may result in an explosion.

Wear proper clothes

- The SCUBAJET is not a personal floatation device. The SCUBAJET does not have any flotation and will sink in water.
- When using the SCUBAJET with SUP, canoe, kayak, dinghy or kayak, always wear a life jacket and never go without a paddle. Only go over distances you can easily paddle back without SCUBAJET support.

How to handle SCUBAJET properly

- Only run the SCUBAJET **when under water**.
- In order to remove the battery from the tube, just pull the metal ring and pull out the battery.
- **Never open the nose in the water.**
- Do not use the SCUBAJET below the recommended maximum depth of 60m/196ft.

What to do when SCUBAJET is not in use

- After use, always take the SCUBAJET out of the water.
- Always remove the battery from the unit when not in use.
- Do not store the battery in the unit.
- In case the SCUBAJET squeals, please use the grease.

Maintenance of your SCUBAJET

- After operation in salty or brackish water, wash all components in fresh water.
- Every two months use contact spray to care for all electronic contacts.
- You will extend the lifespan of your battery, if you do not expose it to hot environments for long periods of time.
- Always keep the SCUBAJET out of direct sunlight when not in use. Heat kills batteries.



X WARRANTY TERMS

The company SCUBAJET GmbH, Rosenbergstraße 6, 9020 Klagenfurt, Austria provides the following warranty terms:

We warrant the final purchaser of a SCUBAJET product that it is free from material and manufacturing faults during the period and under the conditions stated below.

Any claims by the final purchaser for any expense for the repair of a material or manufacturing fault will be settled by SCUBAJET. Claims may not include or do not cover incidental costs of a warranty claim or any other financial losses (e.g. costs for towing, telecommunications, food, accommodation, loss of earnings, loss of time etc.).

Unless a longer period is provided by national and supranational law the warranty for SCUBAJET (including wearing parts) shall be **two years** after purchase while the **warranty for batteries is six months**. Dealers/Customers must make any warranty claim within this time period and need to submit a copy of the bill which shows the date of purchase.

SCUBAJET decides whether faulty parts are repaired or replaced. Distributors and dealers who repair a SCUBAJET have no authority to make legally binding statements on behalf of SCUBAJET

If support is needed

please open a ticket in our support system: <https://desk.zoho.eu/portal/scubajet/en/newticket> or contact us via email under support@scubajet.com and describe the issue with your products.

⊗ SCUBAJET is entitled to refuse a warranty claim in case

- the product has been used improperly,
- the warranty was not correctly submitted (in particular failure to contact SCUBAJET before sending back goods, refer to warranty process),
- the safety, operating and care instructions in the manual were not observed,
- the product was in any way altered or modified or parts and accessories were added that are not expressly permitted or recommended by SCUBAJET, previous services or repairs were not carried out by firms authorized by SCUBAJET, or non-original parts were used

As well as the rights arising from this warranty, the customer also has legal warranty claim rights arising from the purchase contract with the dealer that are not hampered by this warranty.

Please assure that your SCUBAJET is always connected to a leash while using, otherwise we cannot provide any warranty.

10.1. WARRANTY PROCESS

Adhering to the following warranty process is a prerequisite to the satisfaction of any warranty claims.

Before dispatching any apparently faulty goods, it is required to coordinate the delivery with SCUBAJET. Please open a ticket in our support system: <https://desk.zoho.eu/portal/scubajet/en/newticket> or contact us via email under support@scubajet.com and describe the issue with your products. Subsequently, our support team will get in touch with you for further steps.

Please understand that we are unable to deal with products of which we have not been notified and will therefore refuse to accept delivery.

Customers are responsible to adhere to all regulations of international transport by air (IATA) and road - especially for shipping Lithium Ion Batteries - and any customs/duty regulations. SCUBAJET is not responsible for any violations of these regulations by any customer shipping internationally.

To check a warranty claim and to process a warranty, we require your assistance:

For returning the SCUBAJET, we recommend keeping the original SCUBAJET packaging. If this is no longer available, packaging that excludes transport damage must be used (as transport damage is not included in the warranty).

We are available to answer any questions regarding the warranty process - simply contact us via mail (support@scubajet.com).



XI TRANSPORTATION OF THE SCUBAJET

For information on transporting the SCUBAJET including battery by plane, please contact your operating airline. Li-Ion batteries are subject to specific rules by the airline authorities.

Some airlines do not allow transporting Dive Scooters or battery, so check in advance of travel.

Click to View ScubaJets

SCUBAJET®

www.scubajet.com

