

LICENSED PRODUCT

NAUTICA

Q-CLASS

NAE22700

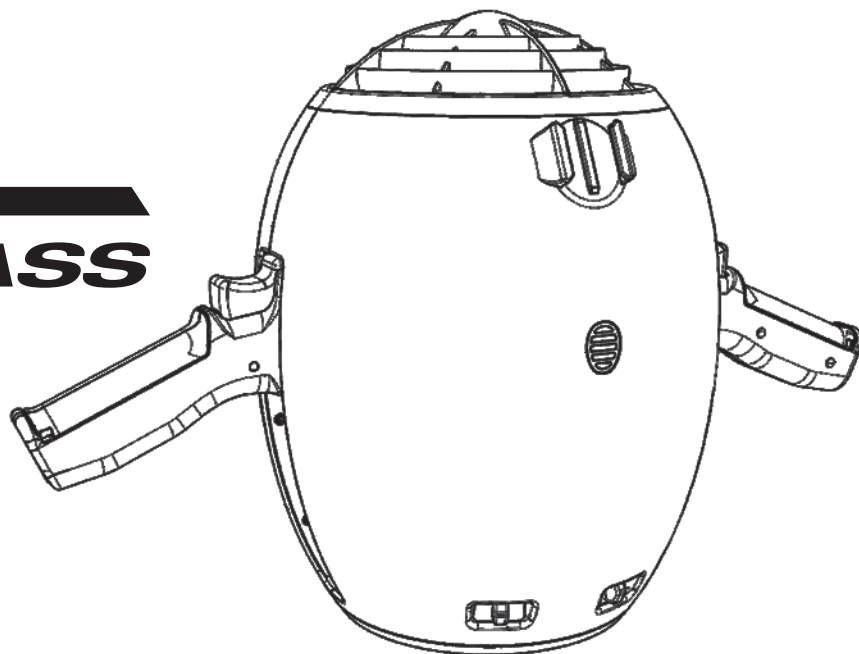
EN USER MANUAL



CAUTION

ELECTRICALLY OPERATED PRODUCT

Not for children under 16 years of age. As with all electrical products, precautions should be observed during handling to reduce the risk of electric shock.



FCC Statement

(For USA Regulation Only)

This device complies with Part 15 of the FCC Rules. Operation is subject to the following two conditions:

- (1) This device may not cause harmful interference, and
- (2) This device must accept any interference received, including interference that may cause undesired operation.

Warning: Changes or modifications to this unit not expressly approved by the party responsible for compliance could void the user's authority to operate the equipment.

NOTE: This equipment has been tested and found to comply with the limits for a Class B digital device, pursuant to Part 15 of the FCC Rules. These limits are designed to provide reasonable protection against harmful interference in a residential installation. This equipment generates, uses and can radiate radio frequency energy, if not installed and used in accordance with the instructions, may cause harmful interference to radio communications.

However, there is no guarantee that interference will not occur in a particular installation. If this equipment does cause harmful interference to radio or television reception, which can be determined by turning the equipment off and on, the user is encouraged to try to correct the interference by one or more of the following measures:

- Reorient or relocate the receiving antenna.
- Increase the separation between the equipment and receiver.
- Connect the equipment into an outlet on a circuit different from that to which the receiver is connected.
- Consult the dealer or an experienced radio/TV technician for help.

CONTENTS

INTRODUCTION	1
WARNING	2
PARTS DIAGRAM	4
BATTERY INSTRUCTION	6
GETTING STARTED	7
BUILT-IN CARRY HANDLE	8
CARE & MAINTENANCE	9
CAMERA ASSEMBLY	10
TECHNICAL SPECIFICATIONS	11



Discarded electrical appliances are recyclable and should not be discarded in the domestic waste! Please actively support us in conserving resources and protecting the environment by returning this appliance to the collection centers (if available).



User manual is also available in PDF format, contact your local distributor to a copy if needed.

INTRODUCTION

The single thruster NAUTICA Q-CLASS is a full-featured Seascooter that gets you cruising underwater with a top speed of up to 5.3mph (8.5km/h). Easily shift between 3 rotational speeds as you conserve your energy for more bottom time.

Use appropriate equipment such as wetsuit, approved life jacket, mask & snorkel etc. when using Seascooter.

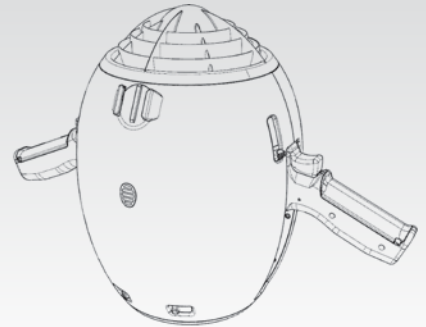
Only operate the Seascooter in water.

- Extremely compact and hydrodynamic design
- Foldable control handles for compact storage and travel size
- Heavy-duty retractable rubber carry handle for easy transport
- Quick set up design for instant use
- Single motor design for better maneuverability
- Runs up to 65 minutes (Normal Use)
- Weighs only 8.6 lb / 3.9 kg including battery
- Rated to 100ft / 30m
- Speed up to 5.3 MPH / 8.5 KM/H
- 3 Level rotational speed control
- Battery Level indicator
- Powered by high performance replaceable water proof Lithium Ion Battery pack
- 144 watt hour battery pack suitable for hand carry in your flight.
- Battery charging time: 3 Hours
- Product size: 221*295mm

! The Seascooter is designed for use in seawater. It will have less buoyancy in fresh water, lake or pool and may sink in such waters.

Any person (including children) with reduced physical, sensory or mental capabilities or lack of experience and knowledge and children playing with the appliance are not applicable.

The connector must be removed before the appliance is cleaned and that the appliance inlet must be dried before the appliance is used again.





WARNING



- A child under 16 years old should never operate this product.
- The Seascooter is designed for 1 person use.



- This is not a life saving device. DO NOT use it as a buoyancy aid.



- Read the User Manual carefully before using the product.



- Always ensure sufficient charge remains in the battery to return to the shore surface before using the Seascooter.



- Do not use alcohol or mind-altering drugs prior to and during use of this product.



- ALWAYS inspect the swimming area to ensure it is free of hazards or obstacles such as boats or swimmers before using the Seascooter.



- Be aware of appropriate water levels, tidal changes, dangerous currents, weather change and strong offshore winds. ALWAYS scout unfamiliar water before venturing out.



- Crushing / Cutting Hazard



- Do not attach your body, clothing, other equipment to the seascooter in any way.



- ALWAYS wear a life vest (personal floatation device - PFD) approved by your local authorities for Snorkeling (U.S. Coast Guard Type III vest in the US or Canadian Coast Guard approved life vest in Canada or SAI Approval PFD in Australia or CE Approved PFD in Europe).



- Never place body parts, clothing or other objects in the vicinity of the propeller. Do not wear loose or flowing clothing or equipment that could be drawn into the propeller.



- Particular care should be exercised when using the Seascooter near anybody with long hair. Users with long hair should tie it up or wear a swimming cap when using the Seascooter.



- Be careful when you are transporting the Seascooter and setting it down to avoid crushing hazard on hands, foot or toes.

- Use appropriate equipment such as wetsuit, BCD, fins, mask & snorkel, surface signaling devise, regulator(s) approved life jacket etc. when using Seascooter.
- The Seascooter shall not be used in reverse direction.
- Only operate the Seascooter in water.
- Adequate lighting shall be used when using the Seascooter in dark waters and during night diving.
- When passing on this device, include the user manual and all relevant warning information and parts.
- It is the responsibility of the owner to give proper instruction and precaution (regarding the risk associated with this device) when lending the device to other people.
- Detachable power supply part shall be provided with the part of class III construction of the appliance.
- Use the AC/DC Adapter specified by the manufacturer.

The instructions concerning persons (including children) with reduced physical, sensory or mental capabilities, or lack of experience and knowledge and children playing with the appliance are not applicable.

The connector must be removed before the appliance is cleaned and that the appliance inlet must be dried before the appliance is used again.

CRUSHING HAZARD:

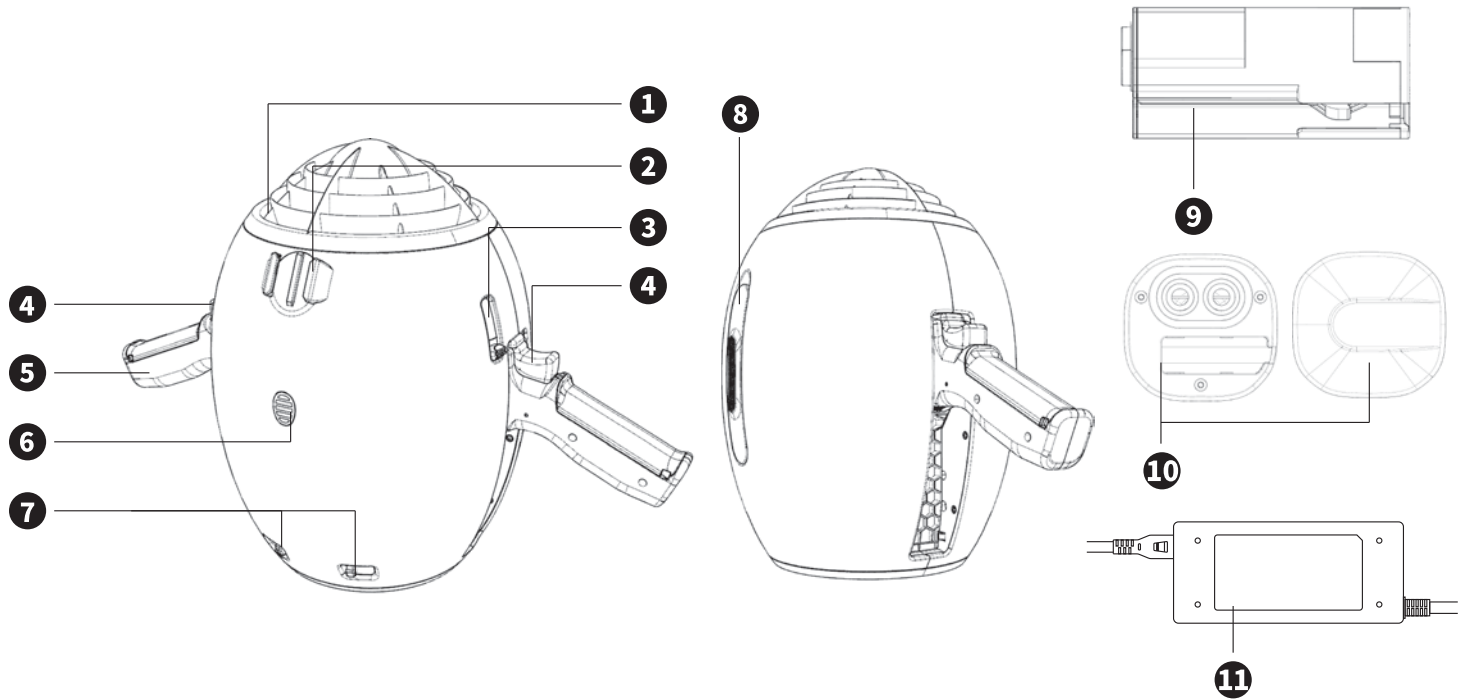
The following action during assembly, disassembly, and transportation of the Seascooter may incur crushing hazards to your fingers or toes:

- Opening and closing the foldable control handles.
- Installing the battery.
- Setting down the Seascooter or battery.
- Accidental dropping of the Seascooter or battery.

CAUTION

- NEVER remove the grilles except for maintenance.
- Familiarize yourself with the Seascooter functions and battery life before embarking on any dives or excursions.
- Always charge battery to its fullest before using the Seascooter.
- Do not allow sun tan oils or lotions to be in prolonged contact with the Seascooter plastic as it may cause the plastic to become brittle and break apart.
- ALWAYS keep the Seascooter out of direct sunlight when not in use. HEAT KILLS BATTERIES AND IT MAY EXPLODE OR LEAK.
- Never remove the Battery from the Seascooter in the water.
- When not in use, always have the handles folded down.
- Do not use the Seascooter below the recommended maximum depth of 100ft / 30m.
- This machine is not intended for mixing or working with sand, concrete and material with similar physical characteristics. This machine is only intended for swimming and diving in the water.
- Do not use the unit if it is damaged in any way.
- Replace the battery immediately if it is damaged.
- The Seascooter should only be used for scuba diving by qualified divers.
- When using the Seascooter for scuba diving, ascents and descents should be made in accordance with recognized diving practices.
- Due to safety considerations those who have not obtained a C-Card (attesting to completion of training) from an entity providing diving instruction must not under any circumstances use this product for diving.
- In different waters (seawater, lake, pool) and conditions such as currents, temperature and pressure can affect the buoyancy of the unit which may cause the unit to sink if accidentally released.
- DO NOT release or leave the Seascooter in the water. Always take the unit out of water when not in use.

PARTS DIAGRAM



- | | |
|---------------------------------------|---|
| 1. Front Grille | 7. Foldable Control Handles Release Buttons |
| 2. Camera Mount (Camera not included) | 8. Carry Handle |
| 3. Speed Control | 9. Battery |
| 4. Start Buttons | 10. Battery Charging Base |
| 5. Control Handles (Foldable) | 11. Charger |
| 6. Battery Indicator | |

BATTERY CAUTION



WARNING

Replace the battery immediately if it is damaged.

- Use the specified charger only.
- Must be disposed of properly.
- Always store the battery in well ventilated areas where it is out of the reach of children and away from heat and ignition sources.
- Do not incinerate, disassemble, damage, short-circuit or expose to heat.
- The battery contains safety and protection devices which, if damaged, may cause the battery to generate heat, rupture or ignite.
- Do not place the battery in fire, direct sunlight or apply heat to the battery; it may explode or leak.
- Do not leave the battery in direct sunlight or use or store the battery inside high temperature containers. Doing so may cause the battery to generate heat, rupture, or ignite. Using the battery in this manner may also result in a loss of performance and a shortened life expectancy.
- Do not place the battery on or near fires, stoves, or other high temperature locations.
- DO NOT THROW WATER ON A BURNING LI-ION BATTERY. If an exposed battery does ignite, it will burn even more violently if it comes into contact with water or even the moisture in air. A fire extinguisher must be used.
- Do not subject the battery to strong impacts or shocks.
- Do not pierce the battery with nails, strike the battery with a hammer, step on the battery, or otherwise damage the outer casing.
- MUST re-charge the battery after EACH USE.
- MUST re-charge the battery at least EVERY SIX MONTHS when not in use.
- ALWAYS REMOVE the Battery from the seascooter FOR STORAGE.
- Never leave Lithium-Ion batteries discharged for long - the batteries do self-discharge and the charge could drop low enough to damage the battery.
- Keep Lithium-Ion batteries away from high heat - high temperatures may cause premature battery failure.
- ALWAYS store Lithium-Ion batteries partially discharged in a cool, dry place.



WARNING

BATTERY SAFETY

RE-CHARGE THE BATTERY AT LEAST

6 EVERY MONTHS

- MUST re-charge the battery after **EACH USE**.
 - MUST re-charge the battery at least **EVERY SIX MONTHS** when not in use.
 - ALWAYS REMOVE the Battery from the seascooter **FOR STORAGE**.
 - Never leave Lithium-Ion batteries discharged for long - the batteries do self-discharge and the charge could drop low enough to damage the battery.
 - Keep Lithium-Ion batteries away from high heat - high temperatures may cause premature battery failure.
 - ALWAYS store Lithium-Ion batteries partially discharged in a cool, dry place.

www.seascooter.net

BATTERY INSTRUCTION

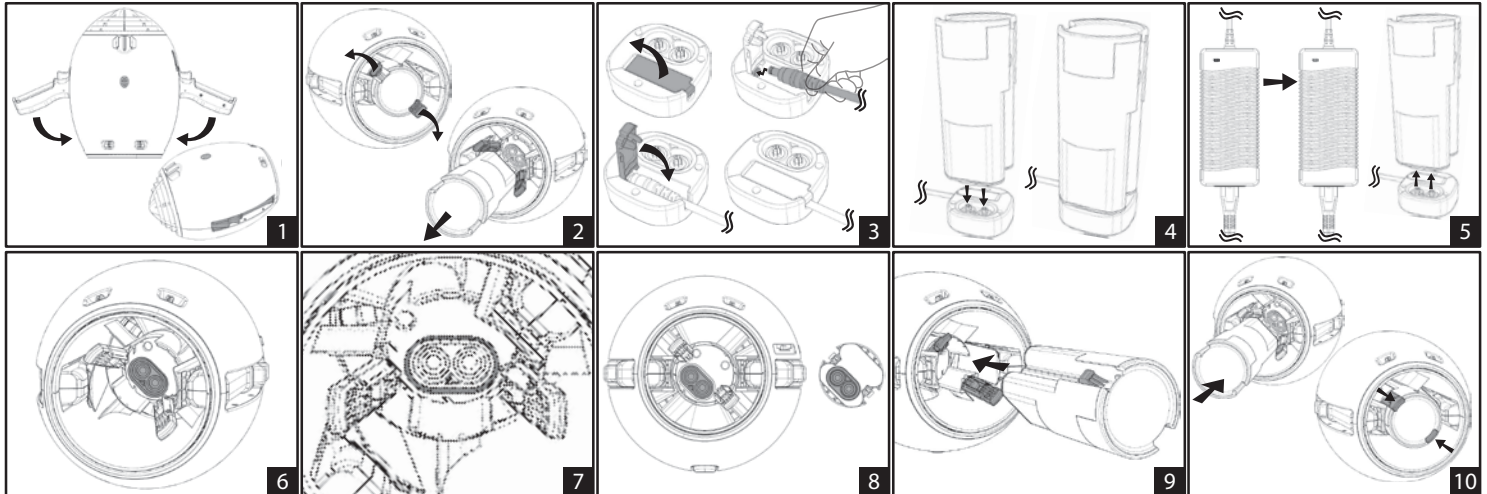


CHARGING INSTRUCTION:

1. Always ensure the control handles are folded away before removing the battery (see Fig. 1)
2. ALWAYS ensure that the Seascooter is out of the water, dry and placed in a dry area.
3. Pull the two latches down and remove the battery (see Fig. 2)
4. Make sure the battery terminals are dry and clean.
5. Connect the charging base to the charger body. (see Fig. 3)
6. Place the battery onto the charging base. (see Fig. 4)
7. Charging will take around 3 hours. When the Battery Pod is charging, the LED light of the charger turns RED. When the battery is fully charged, the LED light turns GREEN (see Fig. 5)
8. Once the battery is fully charged, remove it from the charging base. (see Fig. 5)

REPLACING THE BATTERY:

1. Make sure the battery terminals are dry and clean. (see Fig. 6)
2. Make sure the o-rings on the battery terminals are in place. The o-ring must be clean. (see Fig. 7)
3. Align the terminals on the seascooter with the terminals on the battery. (see Fig. 8)
4. Make sure the 2 latches are spread out wide. Slide the battery into the seascooter body according to the Fig. 9
5. Press the battery into the seascooter. Close the latches to lock the battery. (see Fig. 10)



GETTING STARTED

⚠ CAUTION

• Never use this seascooter in sandy water condition. Sands will cause damages to the motors and shorten the lifespan of the unit.

IMPORTANT INFORMATION:

Sand or Grit on Seals

Ensure sand/grit does not get on the seals as correct maintenance and care are essential.

To remove sand or grit, rinse the seals in fresh water and apply fresh lubricant.

If there is sand inside the battery housing, gently brush the sand from the unit taking care not to scratch the sealing surfaces.

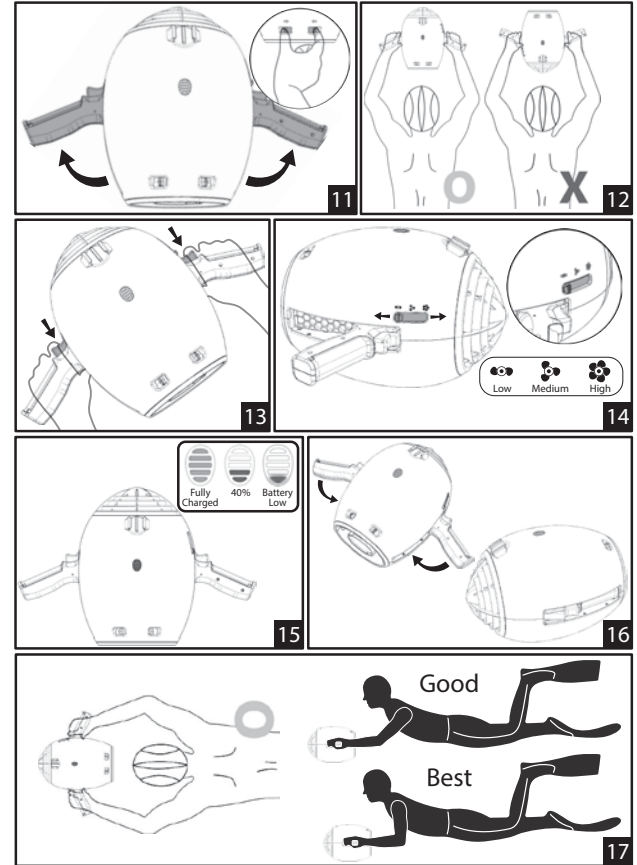
⚠ WARNING

Test the machine before first use.

(Note: DO NOT KEEP THE PROPELLERS RUNNING FOR MORE THAN ONE MINUTE IF IT'S NOT IN THE WATER.)

To use the Seascooter, follow these instructions.

1. Follow instructions on page 6 and charge the battery just before use.
2. Place the Seascooter into the water and rock gently to release trapped air.
3. The seascooter unit automatically assumes neutral to positive buoyancy in seawater. It will have less buoyancy in fresh water and pool and may sink in such waters.
4. Slide the Foldable Control Handles Release Buttons, to fold out the control handles. (see Fig. 11)
5. Make sure the seascooter is in correct position for use. (see Fig. 12)
6. When ready to set off, pull both triggers to start the seascooter (see Fig. 13).
7. Simply push the speed control button to adjust the speed. (see Fig. 14)
8. To stop the Propeller, simply release both triggers.
9. Keep checking the LED light on the battery indicator when using the seascooter. (see Fig. 15)
(Indicator diagram) The battery is full when all the LED lights are on.
(Indicator diagram) The battery capacity drops to 40% when battery indicator shows 2 red lights,
(Indicator diagram) The battery capacity drops to 20% when battery indicator shows 1 red light,
Make sure sufficient charge remains in the battery for returning to the start point.
10. Always ensure the control handles are folded away when the seascooter is out of water. (see Fig. 16)
11. Maintain proper posture to achieve the maximum speed when using the Seascooter. (see Fig. 17)

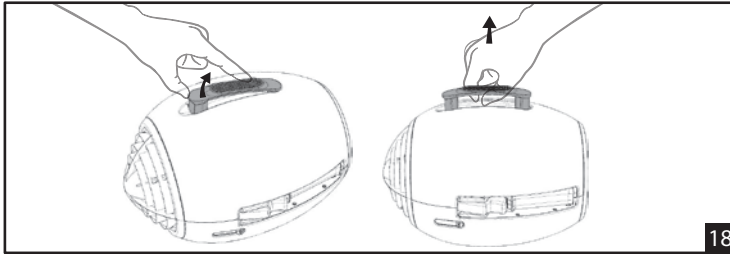


BUILT-IN CARRY HANDLE

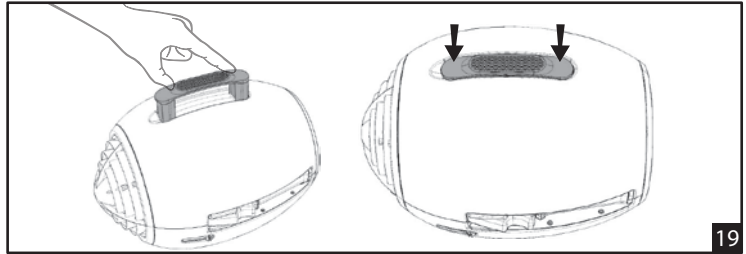
The Q-CLASS foldable control handles can be folded away to achieve a highly compact storage and travelling size. When not in use and with its control handles folded away the unit features a retractable rubber carry handle that can be easily pulled and pressed back into seascooter body to allow for easy transport and handling.

When carrying the Q-CLASS, pull out the carry handles from the seascooter body (see Fig. 18)

Press the carry handle back into the seascooter body when use. (see Fig. 19)



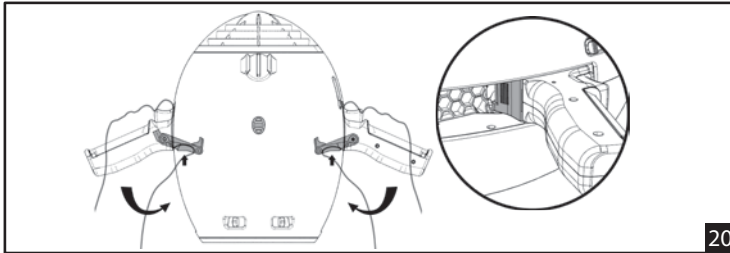
18



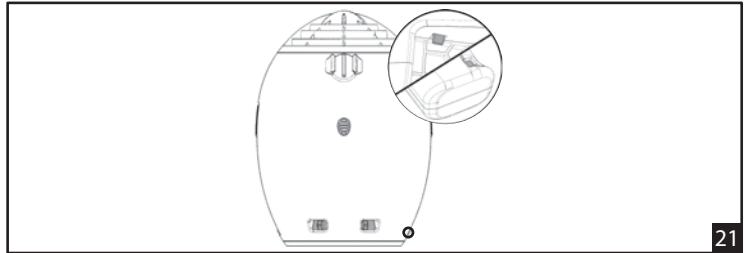
19

Folding away the control handles

1. Press the buttons underneath the control handles (see Fig. 20)
2. Fold away the control handles until you hear a click sound and the control handles are locked. (see Fig. 21)



20



21



WARNING

Do not put your hand or any other things into the propeller.

Note:

1. If there is no operation for a long time, the product will be turned off automatically. Fold away the control handles when not in use.
2. Please do not replace the battery in water. Please remove the battery and clean the machine with fresh water after using, and keep the machine in cool and ventilated place.

CARE & MAINTENANCE

MUST WASH AND CLEAN SEASCOOTER AFTER EACH USE. DRY THE SEASCOOTER IN WELL VENTILATED SHADE BEFORE LONG TIME STORAGE.

Washing and Care

- Method A: Soak the Seascooter in fresh water for approx. 1 hour after every use to prevent salt-sand and chlorine crystal accumulation in the Seascooter
- Method B: Switch the Seascooter on for approx. 1 minute in fresh water to flush the Seascooter and propeller components clear of any debris

Visit our YouTube channels “NAUTICA Seascooters” for video instruction.

To clean the Seascooter do not use detergents; only use a damp cloth to wipe the unit clean.

- Use a cloth to dry the Seascooter and the battery compartment.
- DO NOT leave the Seascooter in the water. Always take the unit out of water when not in use.

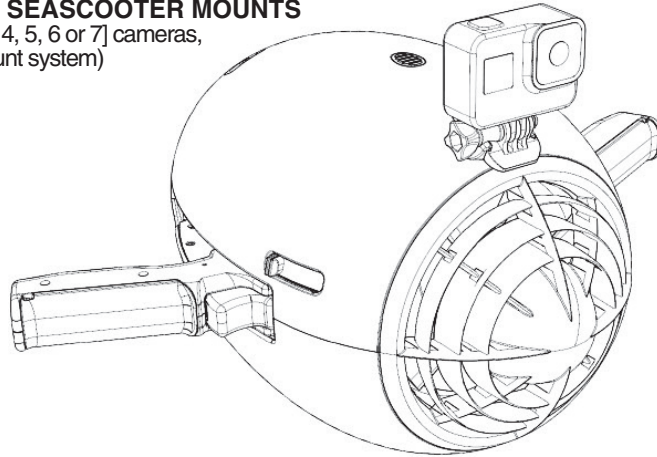
Sand or Grit on Seals

Ensure that sand/grit does not get on the seals as correct maintenance and care is essential. To remove sand or grit from the seals, rinse the seals in fresh water and apply fresh lubricant. If there is sand inside the Battery Housing, gently brush the sand from the unit taking care not to scratch the sealing surfaces.

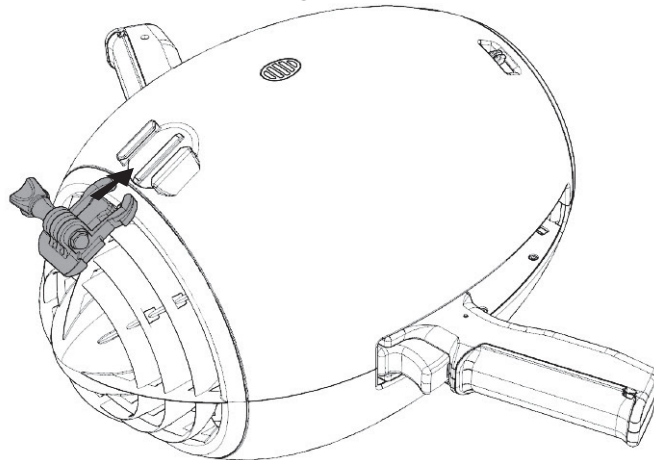
CAMERA ASSEMBLY

ATTACHING YOUR CAMERA TO SEASCOOTER MOUNTS

(Can be used with GoPro® HERO [3, 3+, 4, 5, 6 or 7] cameras,
or other camera with using the same mount system)



Slide your camera to the flat buckle mount as show in below diagram.



TECHNICAL SPECIFICATIONS

WEIGHT 8.6 LB / 3.9 KG

16+

DEPTH 100 FT / 30 M

RUN TIME 65 MINUTES (NORMAL USE)

SPEED UP TO 5.3 MPH / 8.5 KM/H

GEAR 3 SPEEDS

RECHARGE 3 HOURS

BATTERY 14.4V / 10 AH

SIZED FOR CARRY-ON TRAVEL

Unit Dimensions

8.7" x 11.6"

221 x 295 (mm)

*Normal Use

The definition of normal use is based on the average general time of use the user activates the Seascooter in the water.

^AContinuous Use

The definition of continuous use is based on a fully charged battery whereby the Seascooter is used continuously in the water without stopping.

For more information on Seascooter™ Products
(Warranty, Customer Care / Maintenance, Parts & Battery Purchase)

PLEASE VISIT www.Nauticaseascooters.com

All corresponding specification appear in this manual are correct at the time of printing.

For the latest updates and further information on the complete range of the Seascooter™, PLEASE VISIT www.Nauticaseascooters.com

This Product is not manufactured by Nautica. For consumer purposes, please contact Sport Dimension Inc. at 1-800-678-7873.

(US & CANADA MARKET ONLY)

Please visit our website at www.Nauticaseascooters.com to find out your local distributor.

Products covered by the following patents:

USA, Canada, EU, Australia, Japan, Hong Kong, China & Turkey
US D471,506S / US D518,768S / D527,702S / US D506,176S / US D507,776S /
D512,678S / D519,911S / 6848385 B2 / US 7000559 B2 / US 7093554 B1 / 11/102,302 /
0500577.8 / 0500578.0 / 0500579.2 / HK1072691 / ZL200530005661.5 /
ZL200430079550.4 / ZL200430057359.X / ZL200530005662.X / ZL200530005663.4 /
ZL200320103738.8 / ZL200520008894.5 / 1194933 / 1254107 / 1225250 /
000330311-0001 / 000183900-0001 / 000183900-0002 / 000330279-0001 /
000330295-0001 / 03020902.7 / 302949 / 302564 / 302563 / 302950 /
302948 / 2005100230 / 200503474 / 29/268,724 / 11/595,675 / 000816376-0001

US & CANADA MARKET ONLY

Toll Free (US) : 1-800-678-7873

info@nauticaseascooters.com

www.Nauticaseascooters.com

Nautica™ and ™ are trademarks of Nautica Apparel, Inc.

©Nautica Apparel, Inc. nautica.com

PATENTED

PRINTED IN CHINA

In addition, this warranty does not cover items that experience normal wear and tear.

ALL IMPLIED WARRANTIES ARE LIMITED IN THE DURATION TO THE WARRANTY PERIOD. AND SUCH IMPLIED WARRANTIES INCLUDING MERCHANTABILITY, FITNESS FOR A PARTICULAR PURPOSE, OR OTHERWISE, ARE DISCLAIMED IN THEIR ENTIRETY AFTER THE EXPIRATION OF THE APPROPRIATE WARRANTY PERIOD. THE DISTRIBUTOR'S OBLIGATION UNDER THE WARRANTY IS STRICTLY AND EXCLUSIVELY LIMITED TO THE REPAIR OR REPLACEMENT OF DEFECTIVE PARTS AND RETURN OF THE PRODUCT TO THE CUSTOMER. THE DISTRIBUTOR DOES NOT ASSUME OR AUTHORIZE ANYONE TO ASSUME FOR THEM ANY OTHER OBLIGATION. THE DISTRIBUTOR ASSUMES NO RESPONSIBILITY FOR INCIDENTAL, CONSEQUENTIAL OR OTHER DAMAGES INCLUDING, BUT NOT LIMITED TO EXPENSE OF RETURNING THE PRODUCT TO THE DISTRIBUTOR, LOSS OF USE OF PRODUCT AND LOSS OF TIME OR INCONVENIENCE.

THIS PRODUCT IS DESIGNED AND INTENDED FOR PERSONAL RECREATIONAL USE ONLY!

THIS PRODUCT IS NOT WARRANTED FOR COMMERCIAL OR RENTAL USE!

REPAIR WORK OR DELIVERY OF A REPLACEMENT DOES NOT EXTEND OR RENEW THE WARRANTY PERIOD.

WARRANTY SHALL AUTOMATICALLY BE VOID IF DAMAGE IS RESULT OF NON-ORIGINAL PARTS.

LIMITED WARRANTY for Seascooters with camera mount:

- ALWAYS inspect to ensure the product works properly every time before use. Warranty of this product does not cover any damages due to misuse.
- Failure to follow the user(s) instructions on packaging and/or user(s) manual may result in damages or loss of your cameras including but not limited to any user's personal items, all of which are not covered under warranty of this product.
- Use at your own risk. Manufacturer(s) and/or suppliers/agents are not responsible for any damages/repairs, loss to cameras/electronic items including but not limited to any user's personal items directly and/or indirectly resulted in the use of this product. Damage(s) resulting from any use, misuse, accident, and normal wear and tear are understandably not covered under this product warranty nor be responsible by manufacturer(s) and/or suppliers/agents.

EXCLUSIONS

BATTERY. This warranty does not include the battery.

Never replace the original SEASCOOTER BATTERY with an AFTERMARKET BATTERY. Seascooter with aftermarket battery will not be covered by this warranty.

CUSTOMER ENQUIRIES

If your unit is not operating, please refer to your User Manual before contacting our Customer Service Center. For any damage or repair work required, please do not return your product to the store where it was purchased.

RETURN / REPAIR POLICY

Customers must contact their Local Distributor Service Center to ask for an official Claim Form. The Claim Form must be returned with the customer's contact details and a photo of the Seascooter, defective parts, the serial number and the Original Purchase Receipt. The Distributor Customer Service Center will review the case and issue a Return / Repair Authorization Number before sending the product to the Distributor Service Center. Returned products must be shipped with original packaging including the polystyrene packing material and all defective parts. Please contact your Local Distributor Service Center for assistance in handling your case.

Please visit our website www.Nauticaseascooters.com for a listing of most update distributor contacts and service center contacts.

RETURN / REPAIR PROCEDURE

1. Call the Customer Service Center for your Return / Repair Authorization Number.
2. Make a copy of your Proof of Purchase (receipt).
3. Pack the defective unit in its original packaging including the polystyrene foam and include the unit and all defective parts.
4. Attach the copy of your Proof of Purchase (receipt) to the outside of the box (clearly visible), together with the Return / Repair Authorization Number.
5. Ship the package to the Service Center on your cost.

PLEASE NOTE: Deliveries that do not have the Proof of Purchase (receipt) and Return / Repair Authorization Number attached clearly to the outside of the box, will not be accepted by the Service Center.

For any questions or queries you may have regarding your SEASCOOTER™, please follow the below steps for easy and fast resolution:

- **STEP 1-** Please read your User Manual. For a copy of the User Manuals, please visit www.Nauticaseascooters.com
- **STEP 2-** Go to www.Nauticaseascooters.com and see our FAQ section to find instant answers.
- **STEP 3-** Contact one of our Customer Service representatives at the Customer Service Center in your region.

CONSUMER WARRANTY & SERVICE INFORMATION

Distributors ONLY warrant products with an active Warranty Registration

ALWAYS ACTIVATE YOUR WARRANTY IMMEDIATELY ON
<https://nauticaseascooters.com/pages/warranty>

Distributors in the United States and Canada provide a Standard Limited Warranty for 6 months from the date of purchase for new products. If you're not located in the United States or Canada, please contact your Local Distributor for warranty arrangements in your territory. Please visit www.seascooter.net for Distributor / Service Center details. Distributors ONLY warrant NAUTICA Seascooter products purchased from an authorized dealer and with an original purchase receipt. All warranties are limited to a single original owner on the purchase of new and current product from an authorized reseller. Closeouts, Discontinued and Secondary sales of any kind including "like new" or out of box are not eligible for warranty consideration.

This warranty gives the consumer specific legal rights, and those rights may vary from place to place. Ask your Local Distributor for the warranty period in your region by calling their Service Center. Any part of the product supplied by the Distributor and found in the reasonable judgment of the Distributor to be defective in material or workmanship will be repaired or replaced then returned by the Distributor without charging for parts and repair costs. The product including any defective part must be sent to the Distributor within the warranty period. The customer will pay for the expense of delivering the product to the Distributor.

This warranty does not cover any product that has been subject to misuse negligence or accident, or that has been operated in any way contrary to the operating instructions as specified in the User Manual. Any flood, loss or damage, for any reason, that is caused by accidental release and sinking of the unit, or from flooding an o-ring sealed or water tight area will not be covered under warranty. This warranty does not apply to theft, loss, abuse or tampering, lack of maintenance, improper storage, exposure to excessive temperature, extended sunlight, material interactions, deteriorating chemicals or fumes, any damage to the product that is the result of improper maintenance or parts replacement performed by someone other than the official Distributor Service Center or to any product that has been altered or modified so as to change its intended use. This warranty does not extend to repairs made necessary by normal wear or by the use of parts or accessories which are either incompatible with the product or adversely affects its operation, performance or durability.