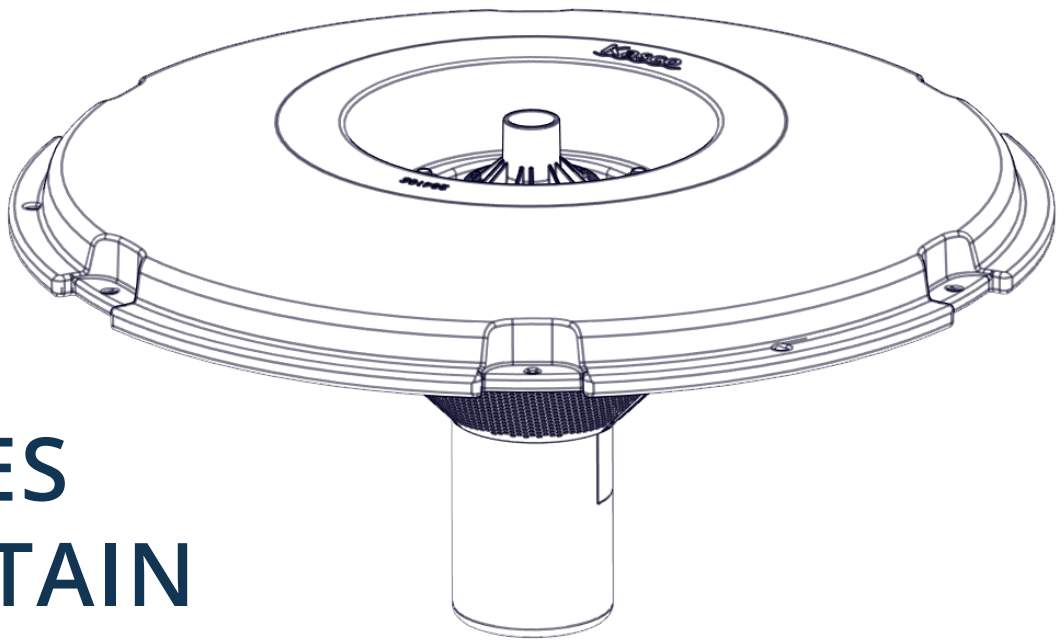




MOVING WATER FORWARD, SINCE 1968



J SERIES FOUNTAIN

5.1, 5.3, 7.3

Operation & Maintenance Manual



3020379
us ANSI/UL 778: 2016
Ed.6+R:22Feb2017
Intertek CSA C22.2 #108: 2014 Ed.5

Document number 884169

Document version 2023.5.0

800 Deere Rd. Prescott, WI 54021 | 715.262.4488 | sales@kascomarine.com | kascomarine.com

TABLE OF CONTENTS

| | |
|-------------------------------------|----|
| Safety First..... | 2 |
| Unit Specifications..... | 3 |
| Parts Included..... | 4 |
| Nozzles Included..... | 5 |
| Premium Nozzles (Not Included)..... | 6 |
| Unit Installation Instructions..... | 11 |
| Maintenance Recommendations..... | 13 |
| Troubleshooting Tips..... | 14 |
| Warranty..... | 15 |
| Non-Warranty Repairs..... | 16 |
| Replacement Parts..... | 17 |
| Repair Contact Form..... | 18 |

QUESTIONS?



715.262.4488



kascomarine.com | sales@kascomarine.com

SAFETY FIRST

IMPORTANT: PLEASE READ THIS MANUAL AND SAVE FOR FUTURE REFERENCE

WARNINGS:




Moving Machinery



Shock Hazard

- Use caution when dealing with any electrical and/or moving equipment.
- Under NO CIRCUMSTANCE should anyone enter the water with the electrical equipment plugged in and/or in operation.
- NEVER run the unit out of the water. This will damage the seals and create a dangerous situation for the operator.
- Use extreme caution around water, especially cold water, as in spring, fall, and winter.
- NEVER lift or drag the equipment by the power cords. If you need to pull the unit to the side of the pond, use the anchoring ropes.
- Do not use boats that tip easily for installation and follow all boating safety rules and regulations, including wearing a PFD (Personal Flotation Device). Do not use waders in deep ponds/lakes or ponds/lakes with drop-offs, drastic slopes, or soft bottom material.
- A control panel must be installed a minimum of 5 feet (3m) from the waterfront unless separated from the water by a fence, wall, or other permanent barrier that will make the unit inaccessible to persons in the water.
- Kasco Aerating Fountains are intended for use with a Listed control panel having a GFCI protected receptacle, or field wiring terminals and disconnect switch, or a timer with a disconnect for use with a GFCI receptacle. Control panels MUST be installed by a qualified electrician. Ground Fault Circuit Interrupters (GFCIs) should be tested upon each installation and every month thereafter to ensure proper operation.
- Single-phase units are supplied with an internal grounding conductor and/or a grounding-type attachment plug. To reduce the risk of electrical shock, be certain the unit is properly connected to the Kasco-supplied control panel (refer to the instructions included with your control panel).
- 3-phase units (2.3JF, 3.3JF, 5.3JF, 7.3JF, 2.3HJF, 3.3HJF, 5.3HJF, 7.3HJF) require a startup test after wiring to ensure proper rotation of the impeller. If the impeller is rotating in the opposite direction, the unit will not perform properly and internal damage to the unit may occur (see 3-phase startup procedure on page 13).

NOTE  During flotation operation, water is pulled from 360° around and directly below the unit. Keep these areas clear of debris as much as possible to decrease frequency of screen cleaning.

Third-party control panels

- Must be equipped with:
 - Short circuit protection
 - Overload protection
 - Ground fault protection
- Must comply with all local and national electric codes.

TOOLS AND SUPPLIES NEEDED

- (3) Anchors or stakes for installing unit
- 208-240V electrical supply near pond on a post with room for mounting the control panel
- (4) #10 x 1" long or longer screws for mounting the control panel
- 9/16" socket with extension and ratchet (optional)
- 7/16" socket and ratchet or combination wrench (optional)
- (3) 12" pieces of 1" galvanized pipe for weighting ropes (optional)

UNIT SPECIFICATIONS

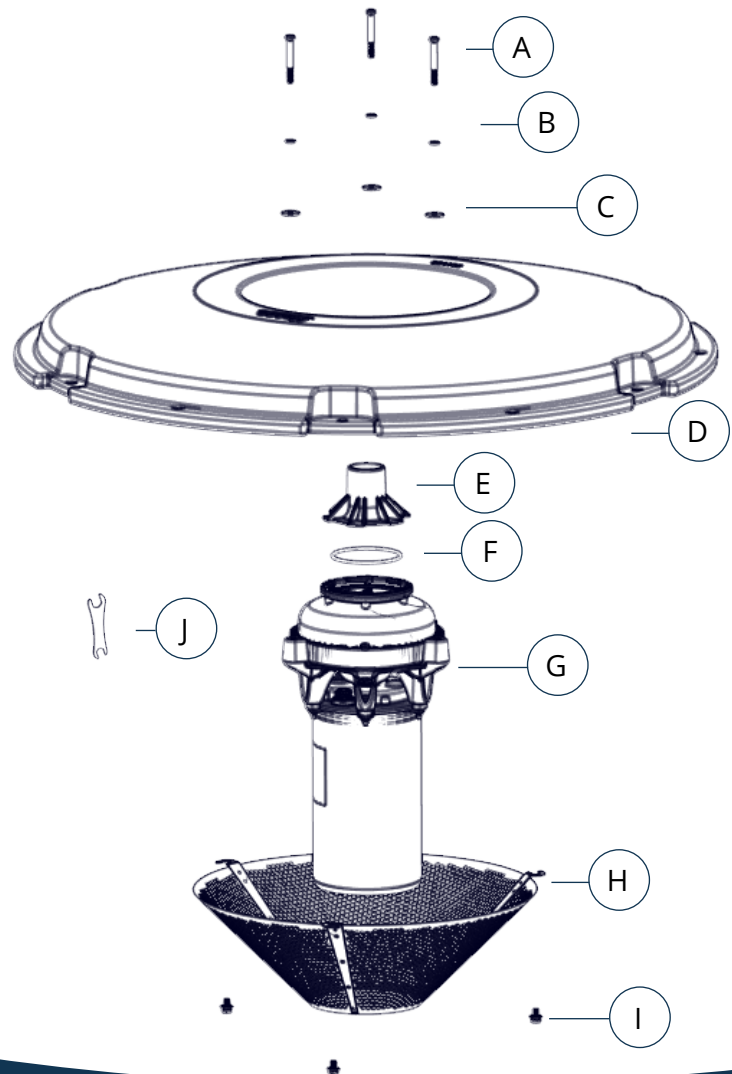
| Model | HP | Voltage | Operating Amps | Locked-Rotor Amps | Control Panel Connection | Unit Connection |
|---------------------------|-----|---------|----------------|-------------------|---------------------------------|-----------------|
| Single-Phase Units | | | | | | |
| 5.1JF | 5 | 208-240 | 20 | 97 | Hardwire C-95 | Hardwire C-95 |
| 3-Phase Units | | | | | | |
| 5.3JF | 5 | 208 | 16 | 100 | See control panel instructions. | |
| 7.3JF | 7.5 | 208 | 20 | 100 | | |
| 5.3HJF | 5 | 460 | 7.8 | 49 | | |
| 7.3HJF | 7.5 | 460 | 10 | 50 | | |

PARTS INCLUDED


| ID | Description | Qty | Part # |
|----|--|-----|-----------------------|
| A | 3/8-16 x 3" hex head screw | 3 | 820093 |
| B | 3/8" lock washer | 3 | 566230 |
| C | 3/8" x 1.25" OD fender washer | 3 | 840325 |
| D | Float, single piece | 1 | See Table below |
| E | Interchangeable nozzles | 5 | See "nozzles" section |
| F | Nozzle O-ring, Large J | 1 | 841217 |
| G | Large JF unit assembly | 1 | See Table below |
| H | Bottom screen, Large J | 1 | 284101 |
| I | 3/8"-16 x 1/2" serrated hex head screw | 3 | 820092 |
| J | 7/16" & 9/16" wrench tool | 1 | 284139 |
| K | Rope, 50ft (not pictured) | 1 | 990170 |
| L | Cable tie (not pictured) | 8 | 415038 |
| M | Dielectric grease (not pictured) | 1 | 341300 |

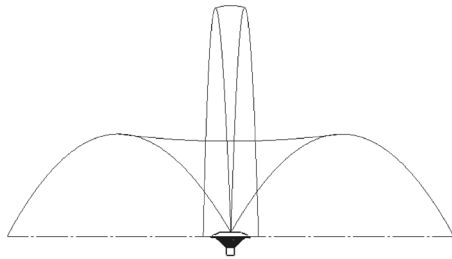
Unit Assembly Table

| | Voltage/Phase | G (Part #) | D (Part #) |
|------|---------------|---------------|---------------|
| 5 HP | 208-240 / 1p | 5.1JF | 284105 |
| | 208 / 3p | 5.3JF | |
| | 460 / 3p | 5.3HJF | |
| 7 HP | 208 / 3p | 7.3JF | 284105 |
| | 460 / 3p | 7.3HJF | |



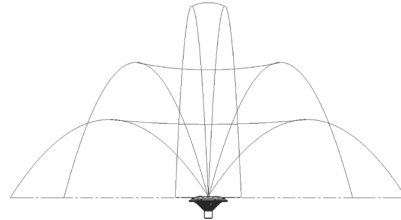
NOZZLES INCLUDED

NOTE  The Birch nozzle (841222) comes installed. To change the pattern, remove the Birch nozzle and replace with the nozzle or assembly indicated for each pattern below.



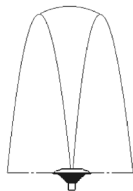
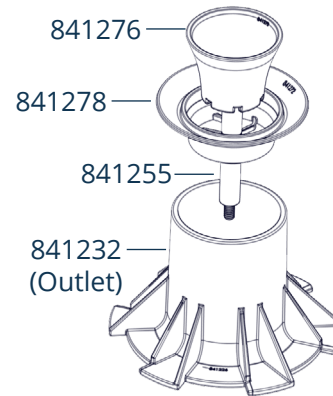
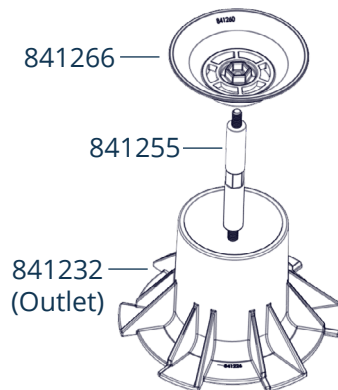
Linden (841267)

| HP | Height | Width |
|-----|--------|-------|
| 5 | 24.5' | 46' |
| 7.5 | 26' | 46' |



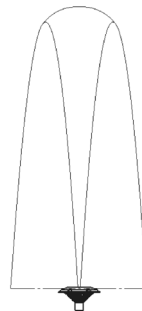
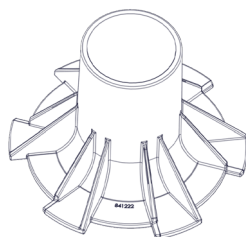
Balsam (841279)

| HP | Height | Width |
|-----|--------|-------|
| 5 | 18' | 34' |
| 7.5 | 21' | 36' |



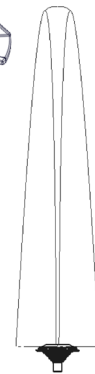
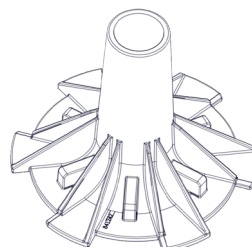
Birch (841222, installed)

| HP | Height | Width |
|-----|--------|-------|
| 5 | 24' | 14' |
| 7.5 | 26' | 16' |



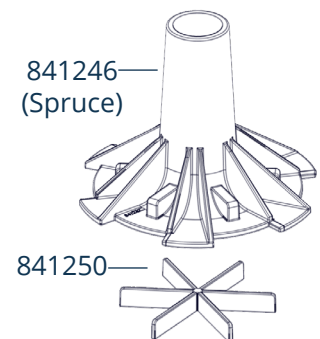
Spruce (841246)

| HP | Height | Width |
|-----|--------|-------|
| 5 | 31' | 12' |
| 7.5 | 34' | 12' |

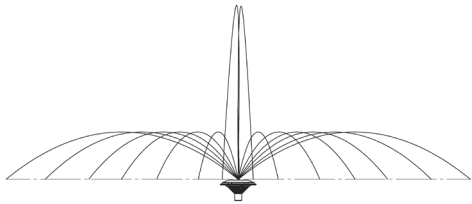


Redwood (841250)

| HP | Height | Width |
|-----|--------|-------|
| 5 | 32' | 6' |
| 7.5 | 36' | 8' |

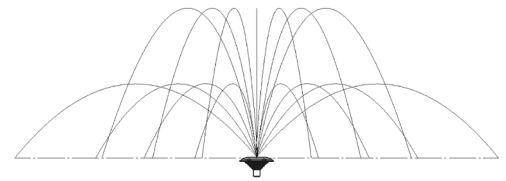


PREMIUM NOZZLES (NOT INCLUDED)



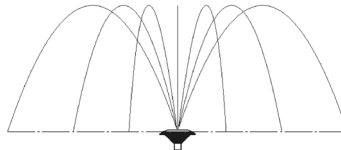
Madrone (841330)

| HP | Height | Width |
|-----|--------|-------|
| 5 | 24' | 70' |
| 7.5 | 26' | 75' |



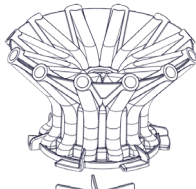
Magnolia (841325)

| HP | Height | Width |
|-----|--------|-------|
| 5 | 23.5' | 72' |
| 7.5 | 26' | 80' |

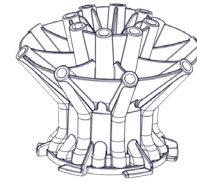


Palm (841320)

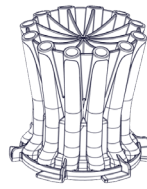
| HP | Height | Width |
|-----|--------|-------|
| 5 | 20.5' | 40' |
| 7.5 | 22' | 42' |



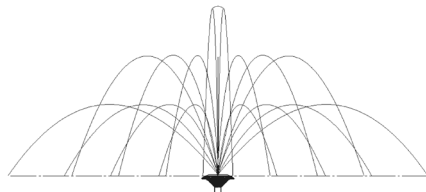
841250 — 



— 841250 

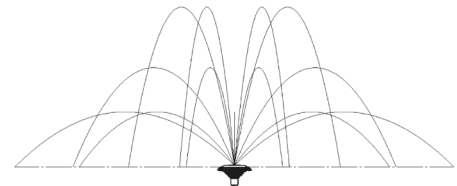


— 841250 



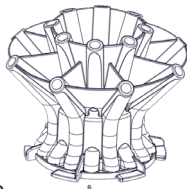
Mahogany (841345)

| HP | Height | Width |
|-----|--------|-------|
| 5 | 28' | 64' |
| 7.5 | 29' | 72' |

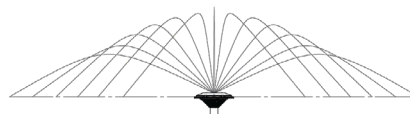


Mighty Oak (841335)

| HP | Height | Width |
|-----|--------|-------|
| 5 | 24.5' | 58' |
| 7.5 | 26' | 60' |

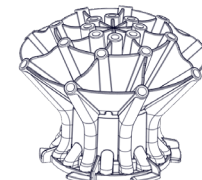


841250 — 

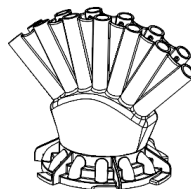


Fern (841315)

| HP | Height | Width |
|-----|--------|-------|
| 5 | 20' | 70' |
| 7.5 | 24' | 66' |



— 841250 

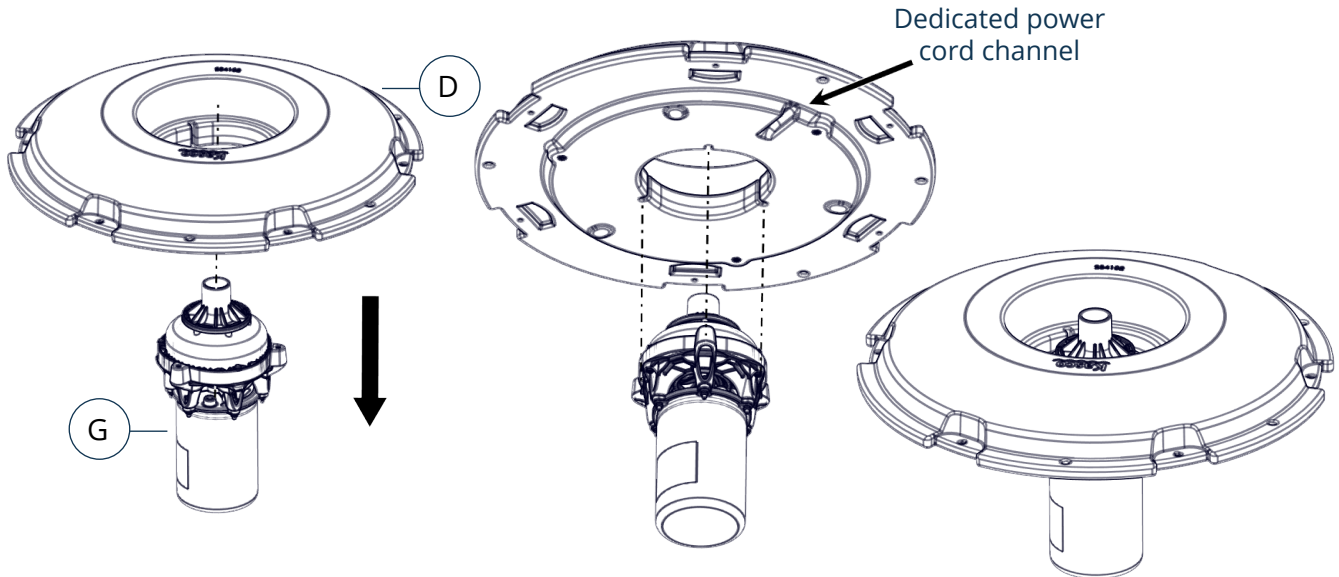


— 841250 

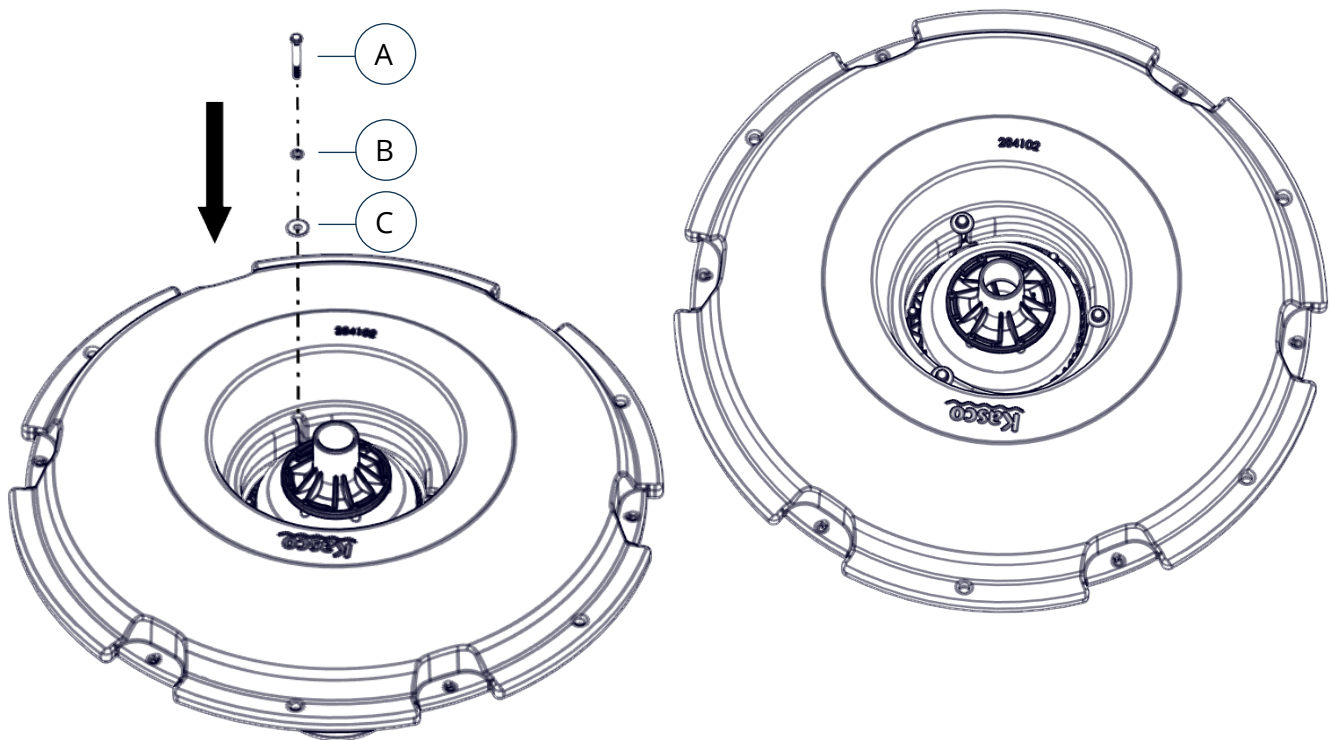
Contact Kasco Marine at sales@kascomarine.com or your local distributor for order information.

ASSEMBLY INSTRUCTIONS

1. Place the float (D) over the unit assembly (G). Ensure the three channels on the inside of the float line up with the threaded holes in the baseplate, and the Kasco logo on the top side of the float lines up with the power cord on the unit assembly. This will allow the power cord to run in the power cord channel on the underside of the float later.

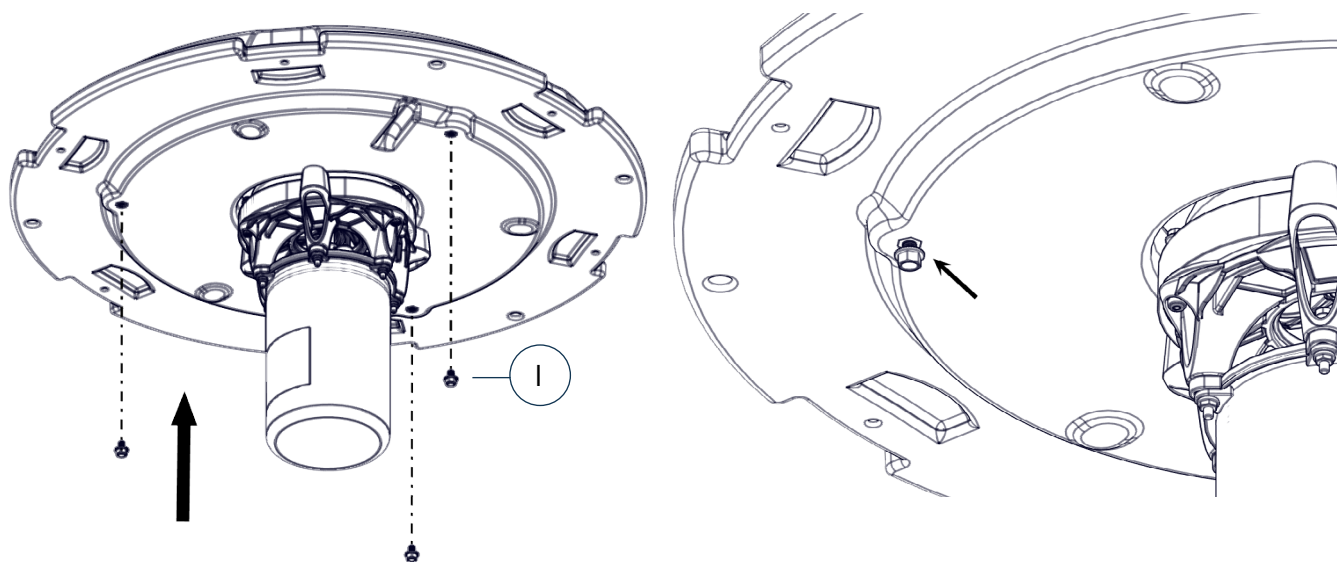


2. Using the 9/16" side of the wrench tool (J) or a socket wrench, secure the float to the unit assembly using the 3/8 - 16 x 3" hex head screw (A), 3/8" lock washer (B), and 3/8 x 1.25" fender washer (C), threading into the holes in the baseplate. Repeat for all three holes.

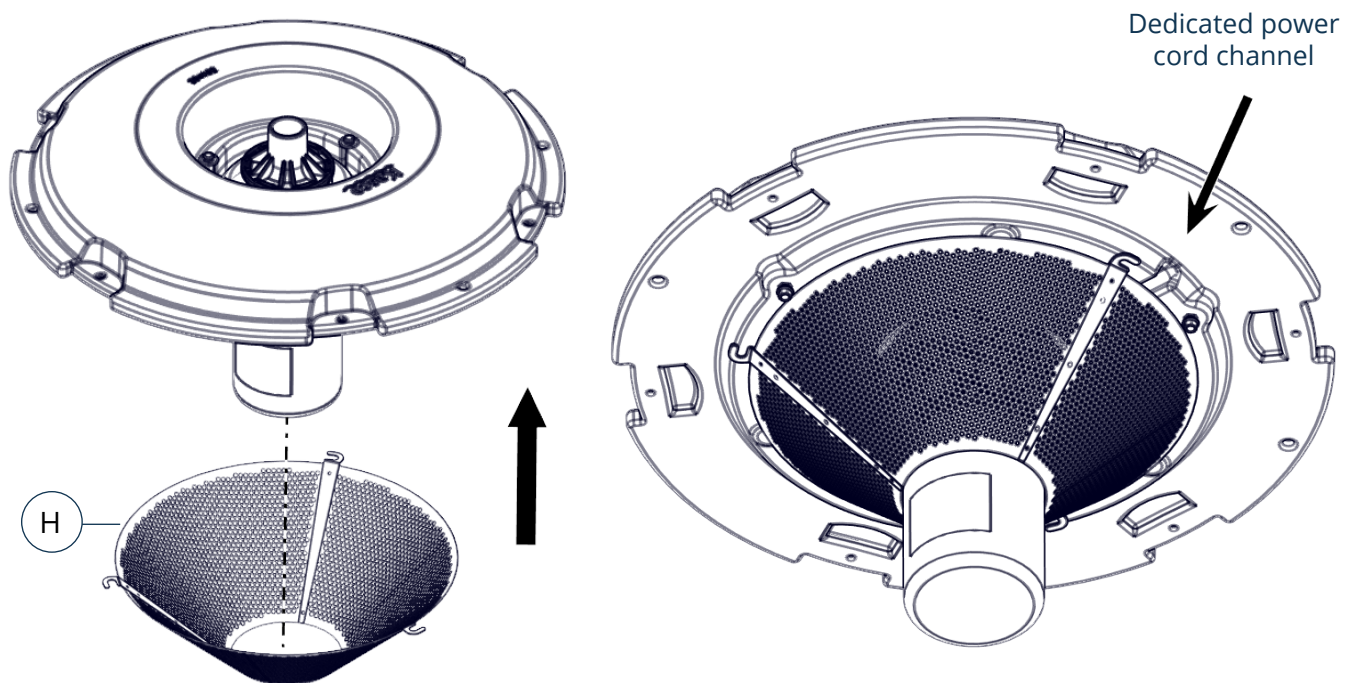


ASSEMBLY INSTRUCTIONS (CONT.)

3. On the underside of the float, start threading the (3) 3/8 - 16 x 1/2" serrated hex head screws (I), but do not tighten down at this time.

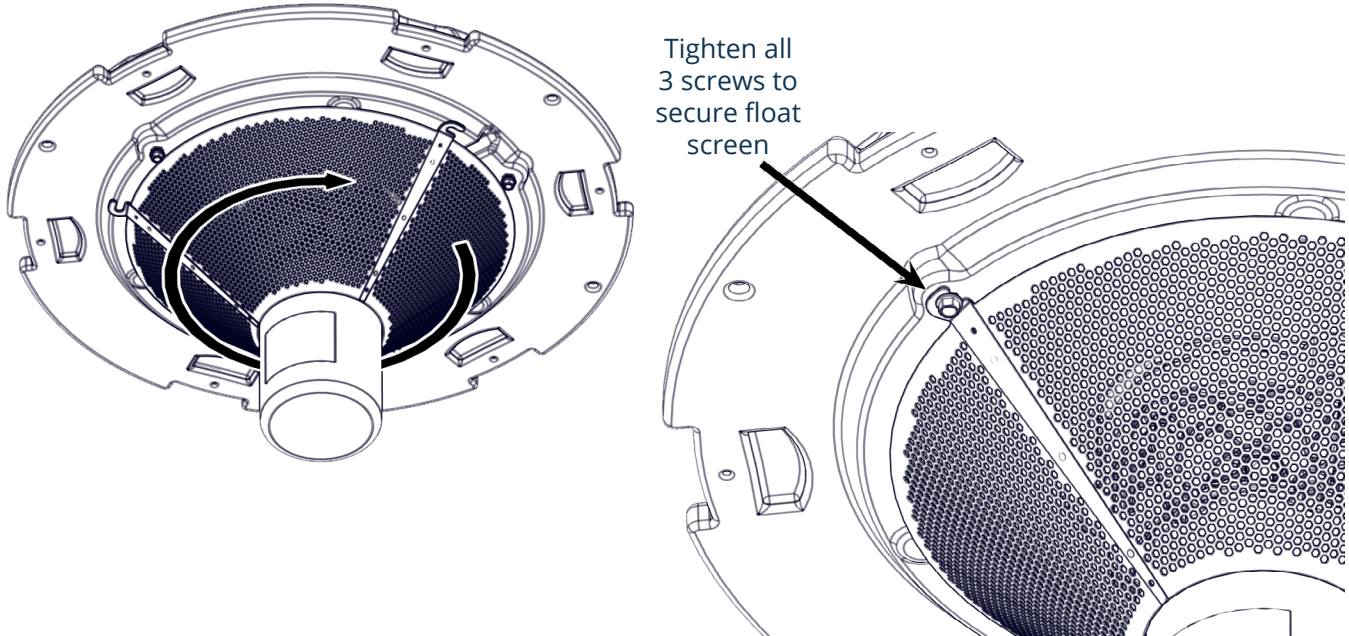


4. Lift the unit and slide the bottom float screen (H) over the can and up to the bottom of the float, allowing the unit power cord to exit between them in the dedicated channel.



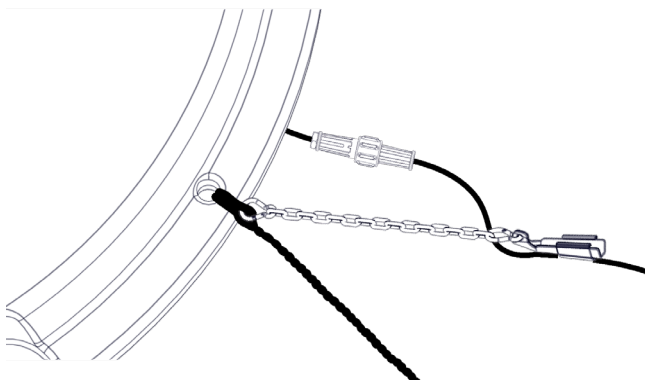
ASSEMBLY INSTRUCTIONS (CONT.)

- Twist the screen clockwise (as viewed from the bottom) so that the flanges in the screen grab the serrated hex head screws. Tighten all three serrated hex head screws to secure the screen to the bottom of the float, being sure not to pinch the power cord. 9/16" side of wrench tool required.



- Using included cable ties (L), attach the unit power cord to one of the rope holes for strain relief as shown below. Unit is ready for installation into the pond. Any lights or other optional equipment installation (including nozzle selection) should be made at this time. Refer to instructions included with equipment.

Cord Strain Relief



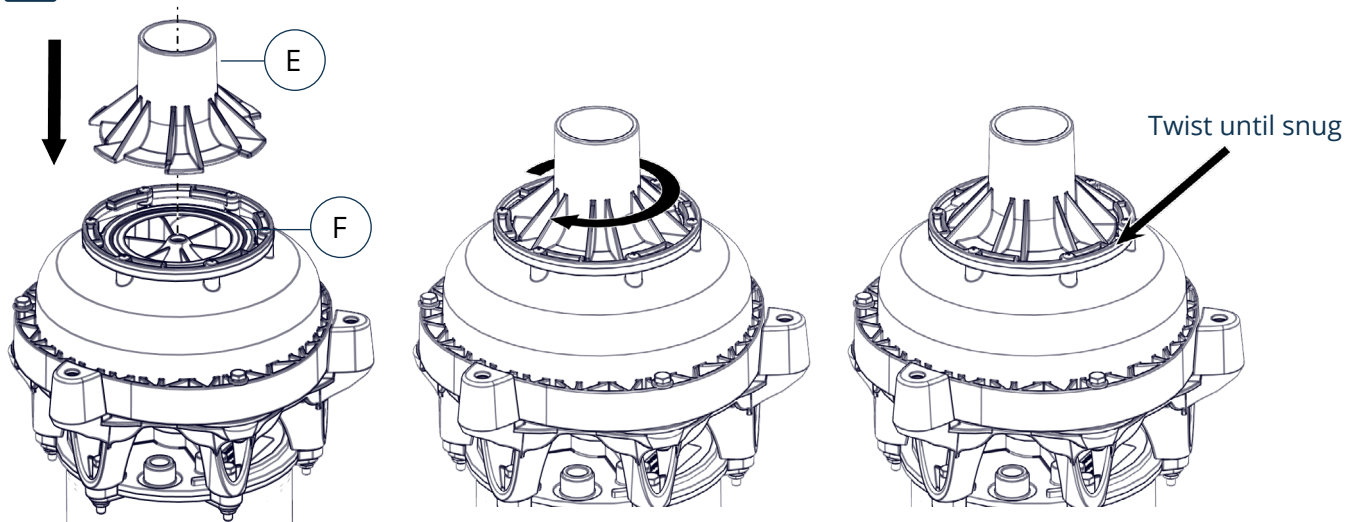
Providing strain relief on the cord helps ensure that its weight and any strain placed on it in the water will not cause the float to tilt or cause damage to the unit.

If your Kasco cord comes with a strain relief kit attached, attach the available link to the float-side knot in the mooring rope, as pictured here.

NOZZLE INSTALLATION INSTRUCTIONS

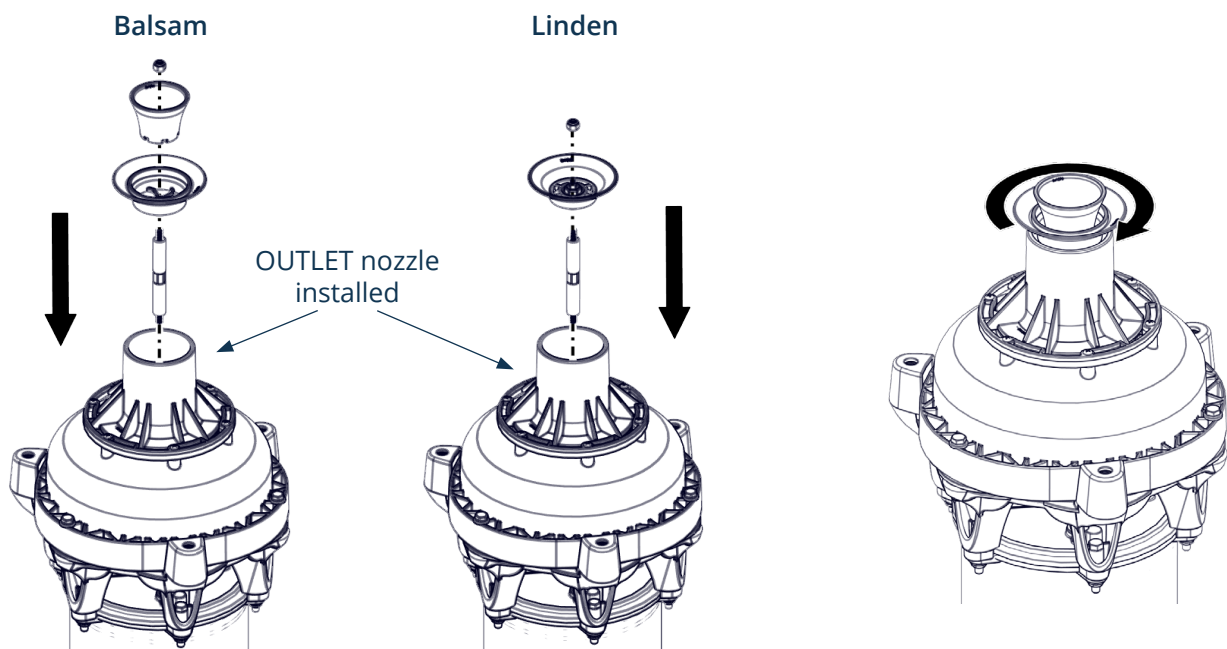
After removing the current nozzle and ensuring that the nozzle O-ring (F) is properly seated in its groove, twist the selected nozzle (E) clockwise (as viewed from the top) so that the flanges in the nozzle lock into place on the top of the pump chamber by hand. Twist until the nozzle flanges can move no further and are completely snug. Nozzles can be changed conveniently without removing the float or using any tools.

NOTE If it is difficult to twist the nozzle into place, dielectric grease (P) can be applied to the nozzle O-ring.



For Linden/Balsam Nozzles:

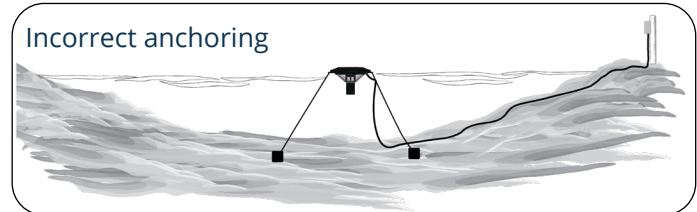
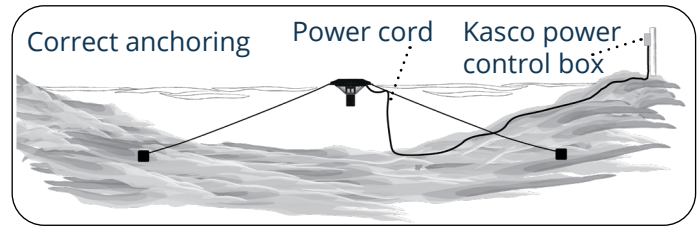
First ensure that the large Outlet nozzle is properly installed according to the above instructions. Insert the Balsam or Linden components and thread into the insert at the top of the pump chamber, tightening everything by hand until snug. Do not over-tighten.



UNIT INSTALLATION INSTRUCTIONS

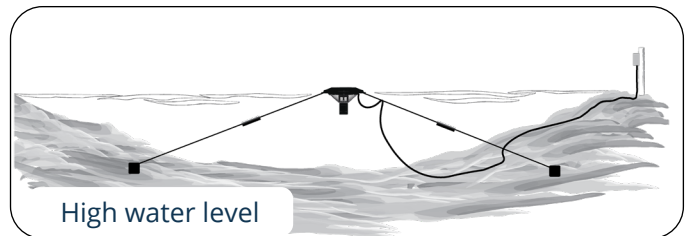
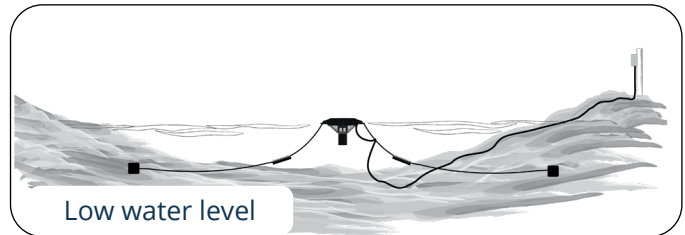
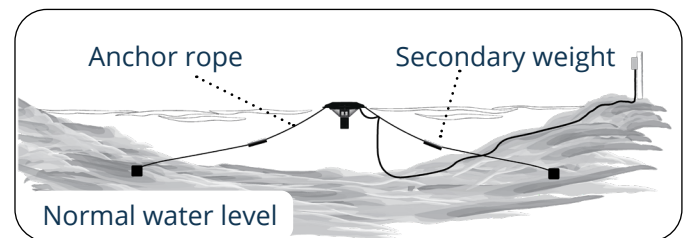
Note: Before installing 3-phase units (2.3JF, 3.3JF, 5.3JF, 7.3JF, 2.3HJF, 3.3HJF, 5.3HJF, 7.3HJF) into the pond, please refer to 3-phase startup procedure on page 12.

Use ropes to position the fountain in the desired location in the pond or lake. Anchor the ropes or secure them to the shoreline so that they are free of slack, but not tight. To prevent twisting of the unit due to motor torque, place the anchor at least 3 feet from the float for each foot of depth (Ex. a 6 ft. deep pond would require an anchor 18 ft. horizontally from the float).



Alternate Installation

In ponds where the water level fluctuates significantly, a small weight may need to be suspended at the midpoint of the rope to take up any slack caused by a drop in water level (1 foot of 1" galvanized pipe works well). The weight should be light enough so that the fountain can rise as the water level rises. This weight can also help hide the anchoring ropes by sinking them further below the surface.




After unit is installed in the water, connect the power cord to a properly installed Kasco control panel (C-85, C-95, etc.) with built-in ground fault protection according to the instructions and electrical schematics included with the panel. **Follow all local and national electrical codes for unit and control panel installation; consult a qualified electrician or service person if needed.**

3-PHASE STARTUP PROCEDURE

If a Kasco Control Panel is not provided, please refer to the following warnings:

When inherent overheating protection is not provided: use with approved motor control that matches motor input in full load amperes with overload element(s) selected or adjusted in accordance with control instructions. *Utiliser un démarreur approuvé convenant au courant à pleine charge du moteur et dont les éléments thermiques sont réglés ou choisis conformément aux instructions qui l'accompagnent.*

When inherent overheating protection is provided: use with approved motor control that matches motor input in full load amperes. See table below. *Utiliser un démarreur approuvé convenant au courant à pleine charge du moteur.*

NOTE  The motor input in full load amperes is the marked value or the service factor amperes shown on the nameplate.

| | | | | |
|-------------------------|-------|-------|-------|-------|
| 3-phase 208-230V | 2.3JF | 3.3JF | 5.3JF | 7.3JF |
| Full load amps | 7.5 | 10.3 | 16 | 20 |

| | | | | |
|-----------------------|--------|--------|--------|--------|
| 3-phase 460V | 2.3HJF | 3.3HJF | 5.3HJF | 7.3HJF |
| Full load amps | 3.8 | 5.2 | 8 | 10 |

Control panels must be installed by a qualified electrician.

If unit is connected to a circuit protected by a fuse, use a time-delay fuse with this pump.

You must verify motor rotation before installing the unit in the water. 3-phase Kasco units will run in a clockwise rotation when looking down at the propeller. Keep clear of the propeller while verifying rotation. Air will be blowing out (up) of the pump chamber when rotating in the correct direction. If a Kasco 3-phase panel is supplied, follow the instructions included with the panel in addition to the steps below.

Electrician:

1. Verify all screw terminal connections are tightened to specified torque setting prior to energizing the panel.
2. Verify the electrical service (voltage and phase) matches the control panel and fountain nameplate ratings. Refer to the control panel instructions and schematics for installation details.
3. Verify all switches, circuit breakers, and motor starters are in the OFF position
4. Connect electrical service to the control panel as shown in the electrical schematic that came with the panel.
5. Connect the fountain power cord to the panel as shown in the electrical schematic.
6. Set the motor starter overload to the FLA rating on the fountain nameplate.
7. Pump rotation: The pump rotation is clockwise when looking down at the propeller. Apply power to the control panel. Turn on the 15amp control circuit breaker, and motor starter.
8. Momentarily turn the Hand-Off-Auto switch to Hand. This will run the fountain. Do not run the fountain for more than a few seconds on shore. If the rotation is not correct, disconnect and lock out power from the control panel. Swap any two of the fountain power cord wires in the panel. This will cause the motor to reverse direction. Reapply power to the panel and verify the rotation is clockwise.
9. Once rotation is verified, with the power disconnected and locked out again, continue with installation of the fountain on page 9.

Record the following data while the unit is operating in the water under load:

| | |
|-------------------|---------------|
| L1-L2 _____ Volts | L1 _____ Amps |
| L1-L3 _____ Volts | L2 _____ Amps |
| L2-L3 _____ Volts | L3 _____ Amps |

Current unbalance should not exceed 5% at full load.

MAINTENANCE RECOMMENDATIONS

The following maintenance procedures can be utilized to ensure many years of quality performance from your Kasco equipment and reduce the need for more costly repair work.

PROPER INSTALLATION: Proper installation of Kasco equipment will include a power source with ground fault protection. The control panel included with the equipment has built-in ground fault protection for both the fountain and the lighting kit. There should only be one GFCI in a circuit. Ground fault interrupters are a safety feature that can also alert you to electrical leaks in the equipment. It is extremely important to test the GFCI upon installation and every month thereafter to ensure proper operation. If you have repeat, consistent trips of the ground fault device, the equipment should be disconnected and removed from the water. The power cord should be inspected for damage, and you should contact your distributor or contact Kasco Marine at 715-262-4488 or sales@kascomarine.com for further instructions. A complete list of control panels can be found in the Accessories section of kascomarine.com. Kasco recommends placing an extra serial number sticker on the inside of the control panel.

OBSERVATION: Operating equipment should be observed on a regular basis (daily, if possible) for any reduction or variation in performance. If a change in performance is observed, the equipment should be disconnected from power and inspected.

WINTER STORAGE: In regions where there is significant freezing in the wintertime, the equipment should be removed from the water to protect it from the expansion pressure of ice. Fountains may keep some amount of ice open, but when water is thrust into the air it can make the existing ice thicker. Storage over winter is best in a location that is out of the sun and cool, but above 32° F. Store unit upside down if it will sit for a long period of time to ensure continued oil lubrication of seals; units that sit upright for many months or years have a greater likelihood of seals drying out.

CLEANING: Fountains should be removed from the water at least once per year (at the end of the season in cold climates) to clean the exterior of the system, especially the stainless-steel motor housing (can) that dissipates heat into the water. Any algae, calcium, or other build-up will become an insulator that blocks heat transfer and may lead to overheating and damage. In warmer regions, the unit should be removed and cleaned at least 2 – 3 times per year. In most cases, a power washer is sufficient if the unit and algae are still wet.

SEAL AND OIL REPLACEMENT: This is a sealed motor assembly, and seals will wear out over time (similar to brake pads on a car). Replacement of the seals and a change of oil after three years may add longevity to the operation of the motor, saving you the cost of more expensive repairs. In warmer climates where the fountain runs for a majority of the year or greater, it is wise to replace seals more often.

SACRIFICIAL ANODE: A sacrificial anode is supplied on the shaft of all VFX Model fountains for protection from corrosion and electrolysis. The anode should be updated/replaced if reduced to half the original size or if white in color. Corrosion from electrolysis is more commonly associated with saltwater or brackish water, but as a matter of precaution, it is important to periodically check the anode in all installations (at least every two to three months).

Seal replacement and all other repair services should be performed by Kasco Marine or a Kasco-trained Authorized Repair Center. Any alterations or changes made to Kasco units by an unauthorized source will void the warranty. This includes tampering with the unit, power cord, and/or control panel. Contact Kasco Marine at 715-262-4488 or sales@kascomarine.com for additional information and your closest Authorized Repair Center.

TROUBLESHOOTING TIPS

The following is provided to help diagnose a probable source of trouble. It is a guideline only and may not show all causes for all problems. For additional troubleshooting help, contact your local distributor or visit kascomarine.com for additional guidance.

Note: You may need to refer to your owners manual that was provided with your control panel for additional control panel settings and adjustments.

“My unit flow seems to fluctuate and/or be less than usual.”

This can occur because of a few different reasons. Most of the time, this symptom is caused by the unit being clogged with debris. A mat of weeds, many leaves, plastic bags, etc. can clog up the unit and cause it to be starved of water. If the unit does not have the proper amount of water, the flow or pattern will fluctuate up and down and look sporadic. If you are seeing these symptoms, unplug the unit and clean away the debris that is clogging up the screen. Another possibility if these symptoms are noticed is a chipped or damaged prop that is causing the unit to wobble and not pump properly. When the unit is unplugged, check the prop for damages and replace if damage is found.

“My pattern is crooked or does not look even.”

Wind can make a fountain pattern crooked. Also, make sure there is no clog or debris that is throwing off the pattern. If there is no wind or clog, then check to see if the nozzle is screwed down all the way and is sitting centered with the cone assembly.

“My unit trips the ground fault interrupter in the C-25, C-85, or C-95.”

This is the most common symptom of several possible problems. To correctly diagnose the problem, you will need to collect more information. A Ground Fault Interrupter (GFCI) breaker that trips can indicate an electrical service problem, water contamination in the unit and/or cord, bad breaker, control box problems, motor problems, etc. Try to find out the answers to these questions before you contact Kasco to narrow down the problem:

- How long does it take to trip the breaker?
- Does it always take the same amount of time to trip?
- How many times has it tripped?
- Has there been any electrical problems in the area recently?

“My unit seems to run slowly.”

This can also be a symptom of several possible problems. There could be an electrical problem where the unit is not getting the proper voltage. This could also indicate a problem with the motor of the unit, which needs to be looked at by an Authorized Repair Center. Check that the unit is receiving the proper voltage, and, if so, contact Kasco for further steps.

“My Aerator hums, but will not start. When I spin the prop with a stick, it starts up.”

(single phase units only) This indicated a problem with the Starting Capacitor. Each Kasco aerator is equipped with a Starting Capacitor to get the unit going when it is first plugged in. If it is operating, but not spinning and can be started by spinning the prop with a stick, the Starting capacitor needs to be replaced by an Authorized Repair Center.

“My unit turns itself off and back on without the timer and without tripping the GFCI breaker.”

(single phase units only) Each Kasco aerator has a Thermal Overload built in that will turn the unit off when it overheats. Once the unit has cooled down, it will start back up. If you are noticing these symptoms, the unit should be unplugged immediately because the Thermal Overload will continue to turn on and off until it burns out and damages the motor. The unit should be unplugged and taken out of the water to find the cause of the problem. The problem could be one of many, such as, low water levels, build-up on the unit to prevent heat dissipation, something inhibiting the free rotation of the shaft, etc. If something is caught in the unit or there is a build-up of algae, calcium or organic matter on the unit, remove the debris and, if caught early enough, the unit should be fine. Contact a Kasco representative before restarting the unit.

“The GFCI breaker trips randomly and sporadically. Sometimes it is a few hours of operation, other times it can be days or weeks.”

This is referred to as a Nuisance Trip. This usually occurs where the unit is installed a great distance from the initial electric service on the property where the ground stake is placed. It is caused by either induced current in the ground wire or a base voltage difference due to soil pH levels. To resolve the problem, contact an electrician and install a local grounding stake. This may eliminate the induced current and any base voltage differences. This problem can also be caused by a bad breaker or receptacle or having unbalanced incoming voltage lines.

WARRANTY

Warranty period:

5.1JF, 5.3JF, 5.3HJF, 7.3JF, 7.3HJF = 5-year Limited Warranty

Kasco® Marine, Inc. warrants this aerator to be free from defects in material or workmanship under normal use and service (excluding ropes, power cord, and propeller). The Kasco Marine, Inc. obligation under this warranty is limited to replacing or repairing free of charge any defective part within the warranty period from the date of shipment. Customer shall pay shipping charges for returning the unit to Kasco or an Authorized Repair Center.

THIS WARRANTY IS IN LIEU OF ANY OTHER WARRANTIES, EXPRESSED OR IMPLIED, AND ANY OTHER OBLIGATION OR LIABILITY WHATEVER ON THE PART OF KASCO MARINE, INC. AND IN NO EVENT SHALL KASCO MARINE, INC. BE LIABLE FOR ANY SPECIAL OR CONSEQUENTIAL DAMAGES.

Warranty is void if:

- The equipment is not maintained properly according to the Maintenance Recommendations supplied in this Owner's Manual.
- The equipment is returned for repair without the power cord
- The unit, control panel, or power cord are altered in any way from original shipment. Cuts in the power cord are not covered under warranty.
- The equipment is damaged by unauthorized tampering.
- The sacrificial zinc anode around the motor shaft shows significant deterioration (not maintained according to Recommendations supplied in this Owner's Manual)

Warranty Claim Procedure: The best method for establishing the warranty period is keeping your original receipt and registering the equipment online at kascomarine.com, under the Support section.

Once warranty coverage has been established, the unit may be sent to Kasco Marine or any Kasco Authorized Repair Center for evaluation and repair. See Repair section for more information regarding warranty repair procedure.



Kasco only accepts complete assemblies for warranty repair. We must receive the power cord and all other components with the motor as originally assembled. **THIS DOES NOT INCLUDE CONTROL PANEL, FLOAT, MOUNT, OR OTHER PARTS THAT CAME IN ADDITION TO THE MOTOR ASSEMBLY, UNLESS SPECIFICALLY REQUESTED BY A KASCO REPRESENTATIVE.** Kasco will bill the customer to replace any missing parts necessary for repair.

Please attach a repair form with the shipment. The repair form must include a name, physical address (for return delivery of the repaired unit), daytime phone number, and an e-mail address for correspondence regarding the warranty claim.

Any expedited shipping method for the return of the unit is at the customer's expense. Kasco Marine will return units repaired under warranty at our expense via ground freight within the continental United States.

NON-WARRANTY REPAIRS

Most failed equipment can be repaired at substantially lower costs than replacement with new. If your aerator requires repair and is no longer covered under warranty, please contact Kasco Marine or your local distributor for available options. Please ship according to the instructions on the previous provided.

Kasco Marine does estimates on repairs at the request of the customer. The request for estimate should be included in the letter that accompanies the returned unit and must include a daytime phone number and/or e-mail address. We will contact the customer with a total after the unit has been evaluated but before the work is performed.

All estimates that are rejected for repair will be destroyed unless otherwise directed by the customer. Rejected equipment can be returned at the customer's expense for shipping and handling charges.

Billing: All non-warranty repairs will be returned and billed to the customer unless otherwise directed. Kasco Marine accepts Visa and MasterCard credit card payments. Kasco Marine will call for credit card information upon completion of the estimate at the customer's request.

Please see the Support section of kascomarine.com for more information about warranty and repairs. Contact Kasco Marine at 715-262-4488 or sales@kascomarine.com for additional information and your closest Authorized Repair Center.

CONTACT US



Kasco Marine
800 Deere Road
Prescott, WI 54021



715.262.4488



kascomarine.com | sales@kascomarine.com



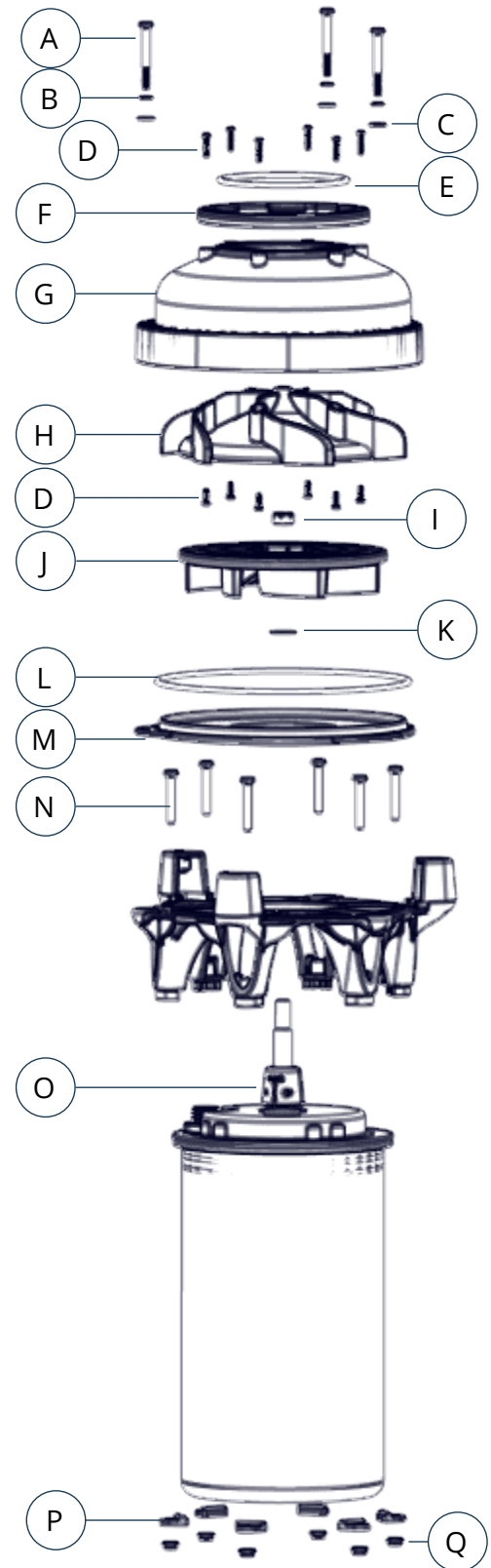
Intertek

3020379
ANSI/UL 778: 2016
Ed.6+R:22Feb2017
CSA C22.2 #108: 201

REPLACEMENT PARTS

| Item | Part # | Description | Qty. |
|------|--------|------------------------|------|
| A | 841209 | 2-1/4" SCREW | 3 |
| B | 840537 | 1/4" SPLIT LOCK WASHER | 3 |
| C | 258476 | 1/4" FLAT WASHER | 3 |
| D | 841216 | 3/4" SCREW | 12 |
| E | 841217 | NOZZLE O-RING | 1 |
| F | 841220 | NOZZLE PLATE | 1 |
| G | 841200 | CONE | 1 |
| H | 841210 | FLOW STRAIGHTENER | 1 |
| I | 360100 | IMPELLER LOCK NUT* | 1 |
| J | 841150 | IMPELLER, 5HP J SERIES | 1 |
| J | 841170 | IMPELLER, 7HP J SERIES | 1 |
| K | 475643 | WASHER | 1 |
| L | 841213 | O-RING, BASE | 1 |
| M | 841110 | BASE PLATE | 1 |
| N | 475630 | 1-3/4" HEX HEAD SCREW | 6 |
| O | 840475 | ZINC ASSEMBLY | 1 |
| P | 140312 | RETAINING CLIP | 6 |
| Q | 840538 | SERRATED FLANGE NUT | 6 |

* 3-phase units only.



REPAIR CONTACT FORM

- Kasco requires that all equipment sent for repair MUST be accompanied by this form and marked to Repairs attention.
- Unit should be cleaned before shipping.
- Kasco is NOT responsible for shipping damage accrued in return shipment.
- It is the responsibility of the customer to ship and pay freight to Kasco.

Kasco Marine
 800 Deere Road
 Prescott, WI 54021
 Attn: Repairs

Note: Contact information should be that of the person or company to contact for repair information.

| | | |
|--|---------------|-------------|
| Company name | | |
| Contact name | First name | Last name |
| | | |
| Address | Street | |
| | City | |
| | State | |
| | ZIP code | |
| Phone number | Primary | Alternate |
| | | |
| Email address | | |
| Preferred method of contact (circle one) | Phone | Email |
| Purchase order number | | |
| Additional product information | Serial Number | Cord Length |
| | | |
| Information for Repair Technician | | |
| Was this unit used in a chemical treatment or wastewater application? (circle one) | Yes | No |
| Additional notes | | |