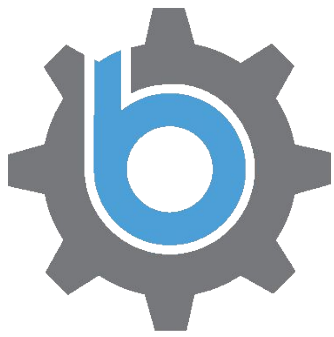




K-1 Motor



Bixpy
LIFE BOOSTED



K-1 Motor - User Manual and Safety Guide



Thank you for purchasing a Bixpy Product. You are now part of a family of adventure seekers who own one of the most advanced, versatile and portable personal water propulsion systems in the world.

Bixpy products combine the latest in motor and battery technology along with finely tuned mechanical engineering to give you gadgets that redefine the way you interact with the elements. As such, they take a bit of learning and require some extra care. There are also hidden features and trouble-shooting information that are critical to the operation and well being of your Bixpy device.

So, before anything else, and definitely before you hit the water, PLEASE read through this User Manual and learn how to use and take care of your Bixpy Power Pack. Misuse and lack of care can be dangerous to you and those around you, void your warranty and render your device useless.



Using a motor/motor and batteries on any watercraft can be dangerous and involves certain risks which often cannot be predicted or avoided. Those risks include but are not limited to personal injury or death, property damage which may result from loss of control, collisions with other users or watercraft swimmers, and natural and man-made objects and/or animals/plants. By choosing to use a Bixpy product you assume these risks and thereby need to know and practice water safety rules, responsible motoring and proper use and maintenance of your Bixpy product(s) to reduce these risks. Since it is impossible to anticipate every situation or condition which can occur while under motor power in water Bixpy can make no representation or warranty about the use and safety of Bixpy products under all conditions.

By purchasing and/or using Bixpy Products you acknowledge, agree and understand the danger(s) involved in using Bixpy products and accessories. You on behalf of yourself and your heirs, executors, administrators, successors and assignees: (1) Fully assume the risks involved in using Bixpy products and agree to use your best judgment in undertaking your activities to reduce such risks. (2) Agree to strictly and fully follow all safety instructions in this document and/or provided on the Bixpy Website or related communications. (3) Fully and voluntarily waive relinquish covenant not to sue release and agree to indemnify and hold harmless Bixpy its members, employees, officers, managers, agents, resellers and representatives from any claim or loss for personal injury, property damage and/or death resulting from the use of Bixpy products and/or accessories.

You further: (1) acknowledge and agree that this waiver and assumption of risk is intended to be as broad and inclusive as is permitted by applicable law and that if any portion thereof is held invalid the balance shall nonetheless continue in full force and effect (2) acknowledge and agree this assumption of risk and waiver provides for the release of legal rights and (3) expressly waive whatever benefits may be available under Section 1542 of the California Civil Code as follows: A general release does not extend to claims which the creditor does not know or suspect to exist in his or her favor at the time of executing the release which if known by him or her must have materially affected his or her settlement with the debtor.

Please note that your insurance policies may not provide coverage for incidents resulting from the use of Bixpy products. Please contact your insurance company to determine your coverage prior to using Bixpy products.

IF YOU DO NOT AGREE FULLY TO ALL OF THESE PROVISIONS YOU SHOULD NOT USE BIXPY PRODUCTS.



Please read and keep these warnings and precautions handy for future reference. Failure to safely operate and care for your Bixpy products can result in loss of warranty, property damage, serious injury or death.

NEVER use Bixpy Jets to go further than you can swim, paddle or pedal back on your own power. Like any other electronic device there is a chance that at any moment your device may cease to function as expected. Always ensure that its seizure will not put you in danger.

In case of a malfunction whereby the motor will not stop operating, remove motor from water as soon as possible and unplug from Power Pack. Remember in an emergency it is better to abandon your device than to risk your well being.

You must take the following precautions when using a Bixpy Products:

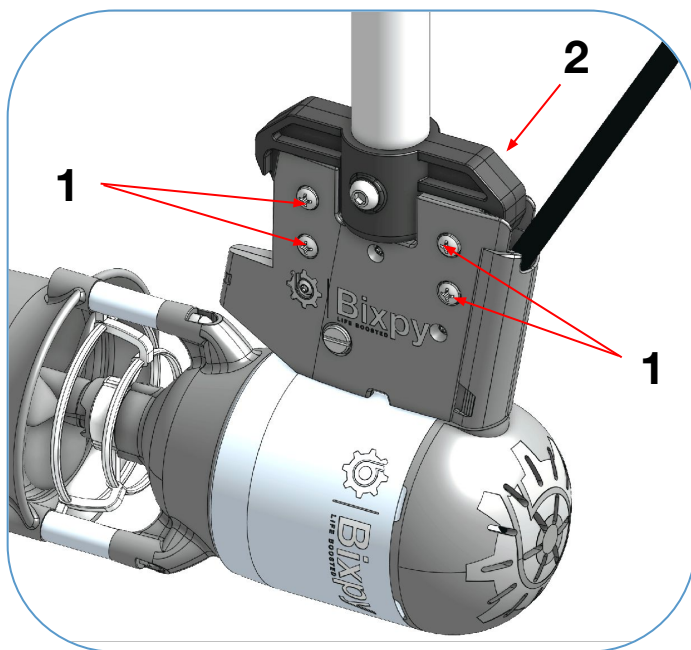
- Do not run your motor in air at high speed or for prolonged periods
- Bixpy Outboard batteries are ONLY made to run Bixpy motors
- Bixpy Motors only run with Bixpy Outboard Batteries
- Never use under the influence of drugs or alcohol
- Be careful of getting long hair from getting into the propeller
- Do not wear loose clothing or objects when using Bixpy Jets
- Always wear an approved Personal Flotation Device
- Not to be used by children under 8 years old
- Must be used by all children only under adult supervision
- Misuse can lead to serious injury or death
- Always rinse in clean fresh water after use in salt water
- Do not expose bare connectors to water - connectors are only waterproof when mated
- Always use provided connector caps when connectors are not mated
- Operate and store above 0°C (32°F) and below 45°C (113°F)
- Do not use harsh chemicals to clean any Bixpy products
- NEVER spray Bixpy Products with anything - including paints and/or water sealants



Your Bixpy K-1 motor has a four hole attachment point that is used to attached it to a variety of Bixpy Mounting Adapters available at www.bixpy.com/adapters. The same attachment can be used to allow you to mount the motor to your own (DIY) adapter. To secure your Bixpy motor to your adapter, open the provided M4 nuts and bolts slide your adapter into the opening making sure the outlet of the motor is pointing to the rear of your adapter. Use a Phillips screwdriver to secure the four nuts and bolts (DO NOT over tighten).

Use zip-ties and provided Bixpy Pipe Clips to secure the power cable to your adapter (not necessary for all adapters) - see below.

Make sure there are no sharp kinks or bends in your wire on its way to your Bixpy Power Pack.



Use the provided M4 nuts and bolts (1) to secure your Bixpy motor to your Bixpy Adapter (2).

If you are making your own adapter for a DIY application visit www.bixpy.info for instructions and to download a template to make your own hole patterns on your DIY receiver or adapter.

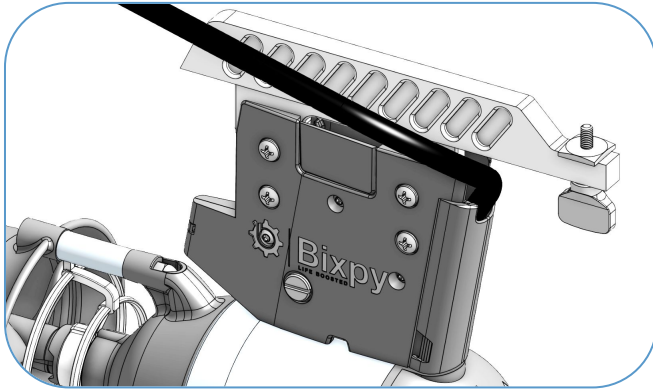


DO NOT over tighten your screws and bolts as it may cause damage to the adapter or standard attachment.

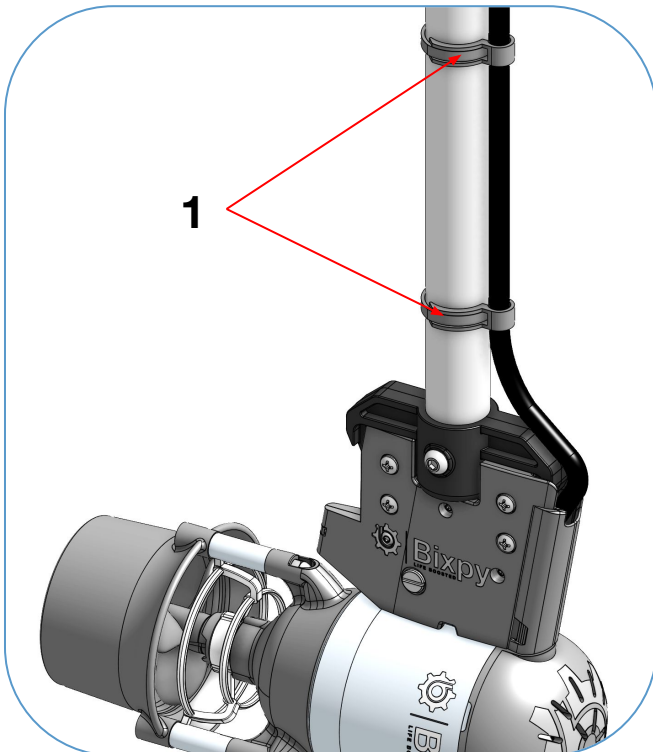
If you're using your own hardware be sure to use high grade stainless steel fasteners to avoid corrosion.



Make sure your cables makes a clean exit out of your motor and around your adapter. Don't make sharp bends pull the cable or try to modify the cable in any way. Doing so may damage the signal wire cores inside and prevent your device from running.



If you are using a fin or rudder adapter simply run the cable from your motor to your battery. Use zip-ties or cords to secure your wire and prevent it from dangling or snagging.



If you are using a Bixpy Adapter with a vertical pipe you can use the provided Bixpy Wire Clips (1) and zip-ties to secure the cable to your adapter pipe and run the cable as far up the adapter pipe as you desire before running it to your Bixpy Power Pack.

Additional Bixpy Wire Clips are available for purchase at www.bixpy.com



The Bixpy K-1 Motor is a direct drive system and as such operates quietly and efficiently using rechargeable lithium batteries. The motor housing and all Bixpy Power Packs are fully sealed and require minimal maintenance. Keep them clean and rinse or run them in fresh water after each use. The Motor and Power Packs are happiest when kept clean and stored in cool dry conditions.

- The front of your Bixpy Motor acts as a water cooling system for the electronics inside the housing and the plastic “face” acts as a bumper for your motor in case of impact. Do not block the intakes and do not operate without the bumper.
- The Bixpy Propeller is designed with a “cutting” mechanism at its base to break weed and grass. Even so eelgrass and other long and fibrous plants can make their way into the intake and wrap around the propeller. Do not run the motor if grass or weed is clogging your propeller housing. This can overheat the motor and in the long run can ruin your motor and/or Power Packs. Use forceps to remove grass or other debris from your propeller housing. In extreme cases you can open the outlet using a 3 millimeter Allen wrench and clean out your propeller housing. In the rare event that you break your propeller DO NOT run your motor with a broken propeller.
- Your Jet uses some of the most advanced alloys to ensure maintenance free use in saltwater. Even so we recommend rinsing or running your equipment in fresh water after use in salt water to extend its life.
- Your Bixpy Motor is made to run in water. It uses water as a coolant and to moderate propeller speed. Running it in air can damage your motor and/or Power Packs. DO NOT RUN IN AIR.
- Visit www.bixpy.com/spare-parts or an authorized Bixpy dealer for replacement parts.



Every Bixpy Motor and Power Pack and accessories have been checked for defects multiple times and operated individually for quality control and defect-free operation. However, if you experience a problem or encounter a built-in safety feature that results in your motor or batteries not operating as expected the table below offers some simple troubleshooting hints. If you experience other issues always feel free to reach out to us for support: www.bixpy.com/support

Motor connected but does not respond	Check that your connectors are mated well and dry. Water in the connectors can cause the motor to seize. Make sure your remote control has a fresh battery and working. Try to run the motor using the “Emergency 4 Click”. Click here: www.bixpy.com/4taps
Motor seems to be seized and makes rough sounds	If you have not mated your connectors well water will short your signal wires and the motor will act in a convulsive manner. At times it may seem as though the propeller has seized but once power is disconnected you should be able to spin the propeller with your fingers. In case water ingress into the connectors remove the connector use compressed air and alcohol to rinse and dry the connectors re-mate the connectors and try to run the motor again.
My motor will not stop running	This is likely due to water intake into the motor or your battery or a possible hard blow to the battery pack that has caused circuitry damage to the battery pack. Disconnect your battery from your motor, stop using your product and contact Bixpy at: support@bixpy.com as soon as possible.



ITEM(S)	DETAILS	RESOURCE
Installation Guides and Downloads (including videos and pictures)	This includes all adapters and also links to common maintenance items link changing remote batteries, cleaning your device, downloading User Manuals and more	www.bixpy.com/guides
Adapter listing	Find the best mounting adapter for your specific kayak, paddleboard or other personal watercraft	www.bixpy.info
Social Media	YouTube Channel	www.youtube.com/bixpy
	Instagram	www.instagram.com/bixpymotors www.instagram.com/bixpybatteries
	FaceBook	www.facebook.com/bixpy
	Twitter	www.twitter.com/bixpy
	Pinterest	www.pinterest.com/bixpy
FAQs	Find common questions and answers about the products we make	www.bixpy.com/faqs
All Bixpy Adapters available	List of all the adapters we sell for different water craft	www.bixpy.com/adapters
Troubleshooting	Learn how to troubleshoot common issues with the jets and user errors.	www.bixpy.com/trouble
Store Maps	Check out were we sell Bixpy Jets	www.bixpy.com/find-a-store-near-you
Get support	For repairs, warranty and product support	www.bixpy.com/support/



Bixpy warrants its hardware products against defects in materials and workmanship for a period of one (1) year from the date of original purchase provided the purchase was made from an authorized Bixpy Dealer or directly from Bixpy or the Bixpy website. This warranty is void if the equipment is opened, altered, misused, mishandled, maladjusted, suffers excessive wear or is serviced by any parties not authorized by Bixpy LLC. Bixpy Jets are made for recreational consumer use and are not warrantied for commercial or rental use. The warranty does not include transportation costs incurred because of the need for service. Bixpy reserves the right to make changes in design and improve upon its products without obligation to install these improvements in any of its products previously manufactured and sold. For warranty services or for a copy of Bixpy's Warranty Policy including a complete list of exclusions and limitations contact Bixpy LLC at 1-866-249-7910.

BEFORE you send us anything back please contact our customer service to discuss your issue and obtain an RMA (Return Merchandise Authorization). There are limitations on shipping lithium-ion batteries and we will not accept service returns without prior arrangements. Please contact us for details on how to deal with defective products at: support@bixpy.com

We are not equipped to handle walk-in traffic at our headquarters in San Diego so even if you are local please do not bring your product to our offices unless you have made prior arrangements.



MOTOR SIZE

Width along motor body:	80mm	3.15"
Width along the output nozzle:	91.5 mm	3.60"
Length:	230mm	9.05"
Height (including top fin adapter):	155 mm	6.10"
Weight:	1270 grams	2.8 lb

POWER OUTPUT

Max. output using PP-378 V4:	400 watts	
Thrust equivalent:	Up to 33 lbs	15 kg
Water movement:	~130 GPM	~500 L/min

Max. output using PP-768:	450 watts	
Thrust equivalent:	Up to 38 lbs	17 kg
Water movement:	~145 GPM	~550 L/min

CONNECTORS: Bixpy 5 pin connector - rated for max. 30V usage with Bixpy batteries

MOTOR IP RATING: IP68 rated

CORROSION RATING: All components are fresh and saltwater resistant





Bixpy®

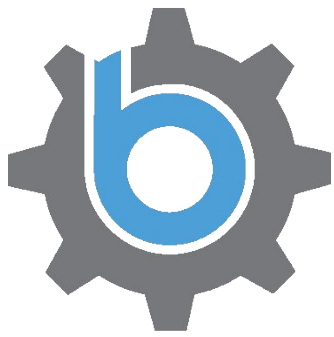
Bixpy, Bixpy Jet and the Bixpy Logo, Life Boosted brand are trademarks of Bixpy LLC. Copyright 2023®.

Registering your vessel

In certain municipalities, counties, states or countries it is required that you register motorized kayaks, SUPs or canoes with your local licensing body. For example in many US states the state Department of Motor Vehicles (DMV) or the Coast Guard will require you to register your motorized kayak as a motorized vessel. Please be sure to take the necessary steps to comply with local laws and regulations that apply to your vessel once motorized. In the US a good resource to find more information is www.takemefishing.org. For the purposes of registration or exemption from registering in certain places please note that Bixpy Jets are electric motors that produce less than 10 horse powers.

Product variation

Some of the products photographed may have slight differences from the products in the package both cosmetically and functionally.



Bixpy

LIFE BOOSTED



K-1 Motor - Manual del usuario y guía de seguridad



Gracias por adquirir un producto Bixpy. Ahora formas parte de una familia de aventureros que poseen uno de los sistemas personales de propulsión acuática más avanzados, versátiles y portátiles del mundo.

Los productos Bixpy combinan lo último en tecnología de motores y baterías junto con una afinada ingeniería mecánica para ofrecerte dispositivos que redefinen tu forma de interactuar con los elementos. Como tales, requieren un poco de aprendizaje y un cuidado especial. También hay funciones ocultas e información sobre resolución de problemas que son fundamentales para el funcionamiento y el bienestar de tu dispositivo Bixpy.

Así que, antes de nada, y definitivamente antes de lanzarte al agua, POR FAVOR, lee este Manual de Usuario y aprende a usar y cuidar tu Bixpy Power Pack. El mal uso y la falta de cuidado pueden ser peligrosos para ti y para los que te rodean, anular la garantía e inutilizar el dispositivo.



El uso de un motor/motor y baterías en cualquier embarcación puede ser peligroso e implica ciertos riesgos que a menudo no pueden predecirse ni evitarse. Dichos riesgos incluyen, entre otros, lesiones personales o muerte, daños materiales que pueden derivarse de la pérdida de control, colisiones con otros usuarios o nadadores de la embarcación, y objetos naturales y artificiales y/o animales/plantas. Al elegir utilizar un producto Bixpy, asumes estos riesgos y, por lo tanto, debes conocer y practicar las normas de seguridad en el agua, la conducción responsable y el uso y mantenimiento adecuados de tu(s) producto(s) Bixpy para reducir estos riesgos. Dado que es imposible anticipar todas las situaciones o condiciones que pueden ocurrir mientras se está bajo la fuerza del motor en el agua Bixpy no puede hacer ninguna representación o garantía sobre el uso y la seguridad de los productos Bixpy en todas las condiciones.

Al comprar y/o utilizar los productos Bixpy, reconoces, aceptas y comprendes los peligros que conlleva el uso de los productos y accesorios Bixpy. Usted, en su nombre y en el de sus herederos, albaceas, administradores, sucesores y cesionarios: (1) Asume plenamente los riesgos que conlleva el uso de los productos Bixpy y se compromete a utilizar su mejor criterio en la realización de sus actividades para reducir dichos riesgos. (2) Se comprometen a seguir estricta y plenamente todas las instrucciones de seguridad contenidas en este documento y/o proporcionadas en el sitio Web de Bixpy o en comunicaciones relacionadas. (3) Renuncia total y voluntariamente a no demandar y se compromete a indemnizar y mantener indemne a Bixpy sus miembros, empleados, funcionarios, gerentes, agentes, revendedores y representantes de cualquier reclamación o pérdida por lesiones personales, daños a la propiedad y / o la muerte resultante del uso de productos Bixpy y / o accesorios.

Además: (1) reconoce y acepta que esta renuncia y asunción de riesgos pretende ser tan amplia e inclusiva como lo permita la ley aplicable y que si cualquier parte de la misma se considera inválida, el resto continuará en pleno vigor y efecto (2) reconoce y acepta que esta asunción de riesgos y renuncia proporciona la liberación de derechos legales y (3) renuncia expresamente a cualquier beneficio que pueda estar disponible bajo la Sección 1542 del Código Civil de California de la siguiente manera: Una exoneración general no se extiende a reclamaciones que el acreedor no conozca o sospeche que existen a su favor en el momento de ejecutar la exoneración y que, de haberlas conocido, habrían afectado materialmente a su acuerdo con el deudor.

Tenga en cuenta que es posible que sus pólizas de seguro no proporcionen cobertura para incidentes derivados del uso de productos Bixpy. Póngase en contacto con su compañía de seguros para determinar su cobertura antes de utilizar los productos Bixpy.

SI NO ESTÁ TOTALMENTE DE ACUERDO CON TODAS ESTAS DISPOSICIONES, NO DEBE UTILIZAR LOS PRODUCTOS BIXPY.



Lea y tenga a mano estas advertencias y precauciones para futuras consultas. Si no utiliza y cuida sus productos Bixpy de forma segura, puede perder la garantía, sufrir daños materiales, lesiones graves o incluso la muerte.

NUNCA utilices los Bixpy Jets para ir más lejos de lo que puedas nadar, remar o pedalear por tus propios medios. Como cualquier otro dispositivo electrónico, existe la posibilidad de que en cualquier momento su dispositivo deje de funcionar como se espera de él. Asegúrese siempre de que su detención no le pondrá en peligro.

En caso de que el motor no deje de funcionar, sáquelo del agua lo antes posible y desenchúfelo de la fuente de alimentación. Recuerde que en caso de emergencia es mejor abandonar el aparato que arriesgar su bienestar.

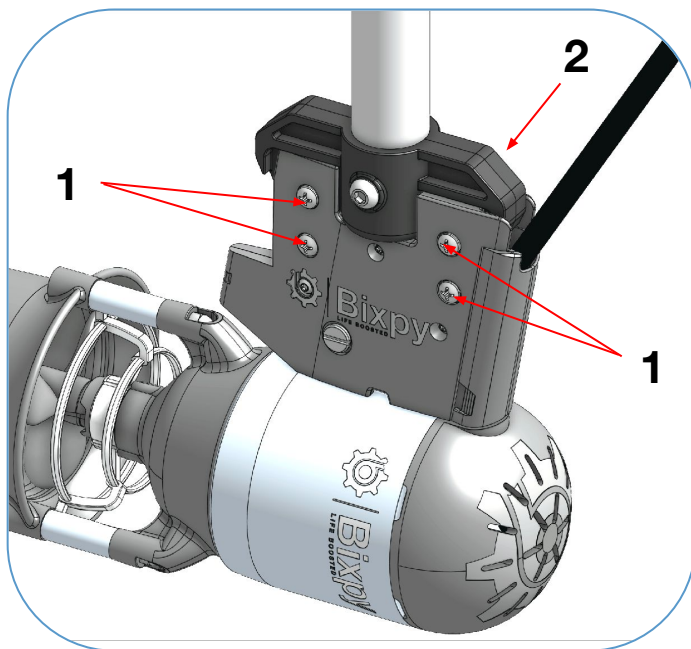
Debe tomar las siguientes precauciones cuando utilice un producto Bixpys:

- Do not run your motor in air at high speed or for prolonged periods
- Bixpy Outboard batteries are ONLY made to run Bixpy motors
- Bixpy Motors only run with Bixpy Outboard Batteries
- Never use under the influence of drugs or alcohol
- Be careful of getting long hair from getting into the propeller
- Do not wear loose clothing or objects when using Bixpy Jets
- Always wear an approved Personal Flotation Device
- Not to be used by children under 8 years old
- Must be used by all children only under adult supervision
- Misuse can lead to serious injury or death
- Always rinse in clean fresh water after use in salt water
- Do not expose bare connectors to water - connectors are only waterproof when mated
- Always use provided connector caps when connectors are not mated
- Operate and store above 0°C (32°F) and below 45°C (113°F)
- Do not use harsh chemicals to clean any Bixpy products
- NEVER spray Bixpy Products with anything - including paints and/or water sealants

Tu motor Bixpy K-1 tiene un punto de fijación de cuatro agujeros que se utiliza para fijarlo a una variedad de adaptadores de montaje Bixpy disponibles en www.bixpy.com/adapters. El mismo accesorio se puede utilizar para que puedas montar el motor en tu propio adaptador (DIY). Para fijar tu motor Bixpy a tu adaptador, abre las tuercas y tornillos M4 suministrados y desliza tu adaptador en la abertura asegurándote de que la salida del motor apunta hacia la parte trasera de tu adaptador. Utilice un destornillador Phillips para fijar las cuatro tuercas y tornillos (NO apriete demasiado).

Utiliza bridas y las abrazaderas Bixpy suministradas para fijar el cable de alimentación al adaptador (no es necesario para todos los adaptadores).

Asegúrate de que no hay dobleces ni curvas pronunciadas en el cable que va a la unidad de alimentación Bixpy.



Utiliza los tornillos y tuercas M4 suministrados (1) para fijar el motor Bixpy al adaptador Bixpy (2).

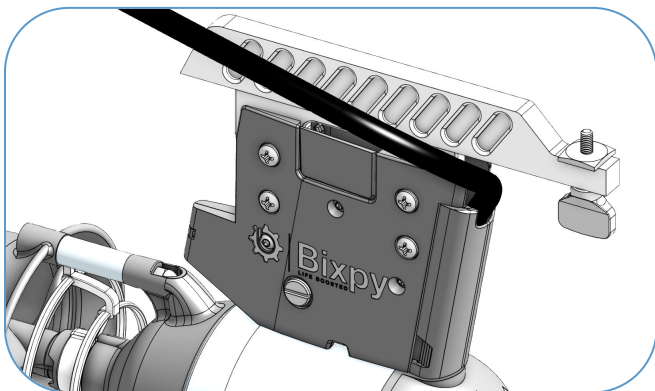
Si vas a hacer tu propio adaptador para una aplicación de bricolaje, visita www.bixpy.info para obtener instrucciones y descargar una plantilla para hacer tus propios patrones de orificios en tu receptor o adaptador de bricolaje.



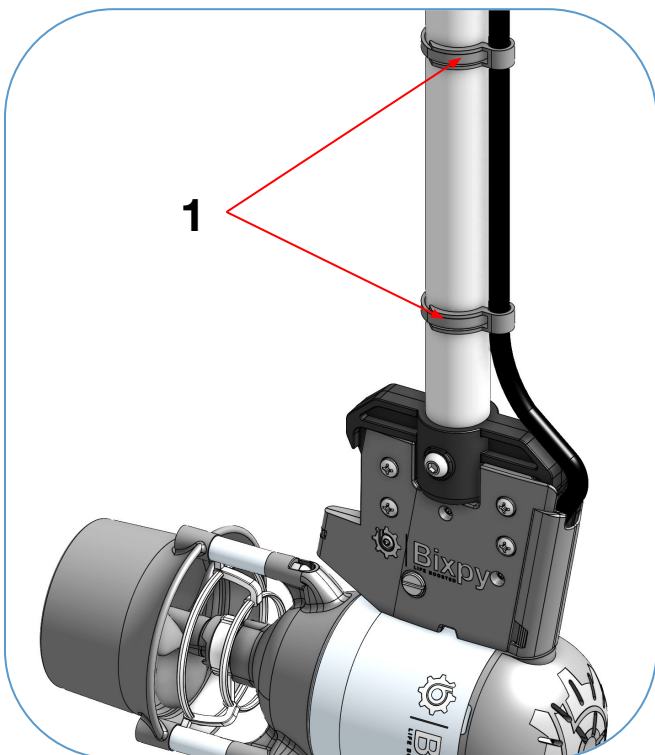
NO apretar demasiado los tornillos y pernos, ya que puede causar daños en el adaptador o el accesorio estándar.

Si utilizas tus propios herrajes, asegúrate de utilizar tornillería de acero inoxidable de alta calidad para evitar la corrosión.

Asegúrese de que sus cables hacen una salida limpia fuera de su motor y alrededor de su adaptador. No haga curvas cerradas ni intente modificar el cable de ninguna manera. Hacerlo puede dañar los núcleos del cable de señal en el interior y evitar que su dispositivo funcione.



Si utilizas un adaptador de aleta o timón, simplemente pasa el cable desde el motor hasta la batería. Utiliza bridas o cordones para fijar el cable y evitar que cuelgue o se enganche.



Si utilizas un adaptador Bixpy con un tubo vertical, puedes utilizar las abrazaderas de alambre Bixpy (1) y las bridas para fijar el cable al tubo adaptador y llevarlo hasta el tubo adaptador que desees antes de conectarlo a la unidad de alimentación Bixpy.

Puede adquirir más pinzas para cables Bixpy en www.bixpy.com



El motor Bixpy K-1 es un sistema de transmisión directa y, como tal, funciona de forma silenciosa y eficiente utilizando baterías de litio recargables. La carcasa del motor y todos los Bixpy Power Packs están totalmente sellados y requieren un mantenimiento mínimo. Manténgalos limpios y enjuáguelos o páselos por agua dulce después de cada uso. El motor y las fuentes de alimentación funcionan mejor si se mantienen limpios y se guardan en un lugar fresco y seco.

- La parte delantera de su Motor Bixpy actúa como un sistema de refrigeración por agua para la electrónica dentro de la carcasa y la "cara" de plástico actúa como un parachoques para su motor en caso de impacto. No bloquee las entradas y no opere sin el parachoques.
- La hélice Bixpy está diseñada con un mecanismo de "corte" en su base para romper la maleza y la hierba. Aun así, la hierba marina y otras plantas largas y fibrosas pueden introducirse en la toma de aire y envolver la hélice. No haga funcionar el motor si la hierba o la maleza obstruyen el alojamiento de la hélice. Esto puede sobrecalentar el motor y a la larga puede arruinar su motor y/o Power Packs. Utilice unas pinzas para retirar la hierba u otros residuos del alojamiento de la hélice. En casos extremos, puede abrir la salida con una llave Allen de 3 milímetros y limpiar el alojamiento de la hélice. En el raro caso de que rompa su hélice NO haga funcionar su motor con una hélice rota.
- Tu Jet utiliza algunas de las aleaciones más avanzadas para asegurar un uso libre de mantenimiento en agua salada. Aun así recomendamos enjuagar o hacer funcionar su equipo en agua dulce después de su uso en agua salada para alargar su vida útil.
- Tu motor Bixpy está hecho para funcionar en agua. Utiliza el agua como refrigerante y para moderar la velocidad de la hélice. Hacerlo funcionar en el aire puede dañar tu motor y/o los Power Packs. NO LO HAGAS FUNCIONAR EN EL AIRE.
- Visita www.bixpy.com/spare-parts o un distribuidor autorizado Bixpy para piezas de repuesto.



Todos los motores, baterías y accesorios de Bixpy han sido revisados varias veces y puestos en funcionamiento individualmente para garantizar un control de calidad y un funcionamiento sin defectos. Sin embargo, si experimenta un problema o se encuentra con una característica de seguridad incorporada que hace que su motor o baterías no funcionen como se espera, la siguiente tabla ofrece algunos consejos sencillos para la solución de problemas. Si tiene algún otro problema, no dude en ponerse en contacto con nosotros: www.bixpy.com/support

Motor conectado pero no responde	Comprueba que los conectores están bien acoplados y secos. El agua en los conectores puede hacer que el motor se agarrote. Asegúrate de que tu mando a distancia tiene una pila nueva y funciona. Intente hacer funcionar el motor utilizando el "4 Click de Emergencia". Pulse aquí: www.bixpy.com/4taps
El motor parece estar agarrotado y emite sonidos ásperos	Si no has acoplado bien los conectores el agua cortocircuitará los cables de señal y el motor actuará de forma convulsiva. A veces puede parecer que la hélice se ha agarrotado pero una vez desconectada la alimentación debería poder girar la hélice con los dedos. En caso de que entre agua en los conectores, retíralos, utiliza aire comprimido y alcohol para enjuagar y secar los conectores, vuelve a unir los conectores e intenta hacer funcionar el motor de nuevo.
Mi motor no para de funcionar	Esto se debe probablemente a la entrada de agua en el motor o en la batería o a un posible golpe fuerte en la batería que haya dañado los circuitos de la misma. Desconecta la batería del motor, deja de utilizar el producto y ponte en contacto con Bixpy en: support@bixpy.com lo antes posible.



ARTÍCULO(S)	DETALLES	RECURSO
Guías de instalación y descargas (con vídeos e imágenes)	Esto incluye todos los adaptadores y también enlaces a elementos de mantenimiento comunes como el cambio de pilas, la limpieza del dispositivo, la descarga de manuales de usuario, etc.	www.bixpy.com/guides
Lista de adaptadores	Encuentra el mejor adaptador de montaje para tu kayak, tabla de paddle surf u otra moto acuática.	www.bixpy.info
Redes sociales	Canal de YouTube	www.youtube.com/bixpy
	Instagram	www.instagram.com/bixpymotors www.instagram.com/bixpybatteries
	FaceBook	www.facebook.com/bixpy
	Twitter	www.twitter.com/bixpy
	Pinterest	www.pinterest.com/bixpy
FAQs	Encuentre preguntas y respuestas habituales sobre los productos que fabricamos	www.bixpy.com/faqs
Todos los adaptadores Bixpy disponibles	Lista de todos los adaptadores que vendemos para diferentes embarcaciones acuáticas	www.bixpy.com/adapters
Solución de problemas	Aprende a solucionar problemas comunes con los surtidores y errores de usuario.	www.bixpy.com/trouble
Mapas de la tienda	Comprueba dónde vendemos Jets Bixpy	www.bixpy.com/find-a-store-near-you
Obtener soporte	Para reparaciones, garantía y asistencia sobre productos	www.bixpy.com/support/



Bixpy garantiza sus productos de hardware contra defectos de materiales y mano de obra durante un período de un (1) año a partir de la fecha de compra original, siempre que la compra se haya realizado a un distribuidor autorizado de Bixpy o directamente a Bixpy o al sitio web de Bixpy. Esta garantía queda anulada si el equipo es abierto, alterado, mal usado, mal manipulado, mal ajustado, sufre un desgaste excesivo o es reparado por cualquier parte no autorizada por Bixpy LLC. Los Jets Bixpy están fabricados para uso recreativo del consumidor y no están garantizados para uso comercial o de alquiler. La garantía no incluye los gastos de transporte ocasionados por la necesidad de servicio. Bixpy se reserva el derecho de hacer cambios en el diseño y mejorar sus productos sin obligación de instalar estas mejoras en cualquiera de sus productos previamente fabricados y vendidos. Para servicios de garantía o para obtener una copia de la Política de Garantía de Bixpy, incluyendo una lista completa de exclusiones y limitaciones, póngase en contacto con Bixpy LLC en el 1-866-249-7910.

ANTES de devolvernos nada, póngase en contacto con nuestro servicio de atención al cliente para tratar su problema y obtener una RMA (autorización de devolución de mercancía). Existen limitaciones en el envío de baterías de iones de litio y no aceptaremos devoluciones sin acuerdo previo. Por favor, póngase en contacto con nosotros para más detalles sobre cómo tratar los productos defectuosos en: support@bixpy.com.

En nuestra sede de San Diego no podemos atender a personas sin cita previa, por lo que, aunque sea de la zona, le rogamos que no traiga su producto a nuestras oficinas a menos que lo haya acordado previamente.



TAMAÑO DEL MOTOR

Anchura a lo largo del cuerpo del motor:	80mm
Anchura a lo largo de la boquilla de salida:	91.5 mm
Longitud:	230mm
Altura (incluido el adaptador de aleta superior):	155 mm
Peso:	1270 grams

SALIDA DE POTENCIA

Salida máxima con PP-378 V4:	400 watts
Empuje equivalente:	15 kg
Movimiento del agua :	~500 L/min

Salida máxima con PP-768:	450 watts
Empuje equivalente :	17 kg
Movimiento del agua:	~550 L/min

CONECTORES:

Conector Bixpy de 5 clavijas - apto para un máximo de 30V con baterías Bixpy

ÍNDICE IP DEL MOTOR:

IP68 rated

ÍNDICE DE CORROSIÓN :

Todos los componentes son resistentes al agua dulce y salada



Li-ion





Bixpy®

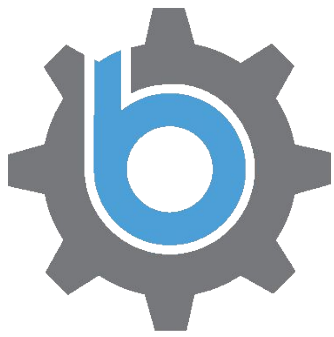
Bixpy, Bixpy Jet y el logotipo de Bixpy, la marca Life Boosted son marcas comerciales de Bixpy LLC. Copyright 2023®.

Matricular su buque

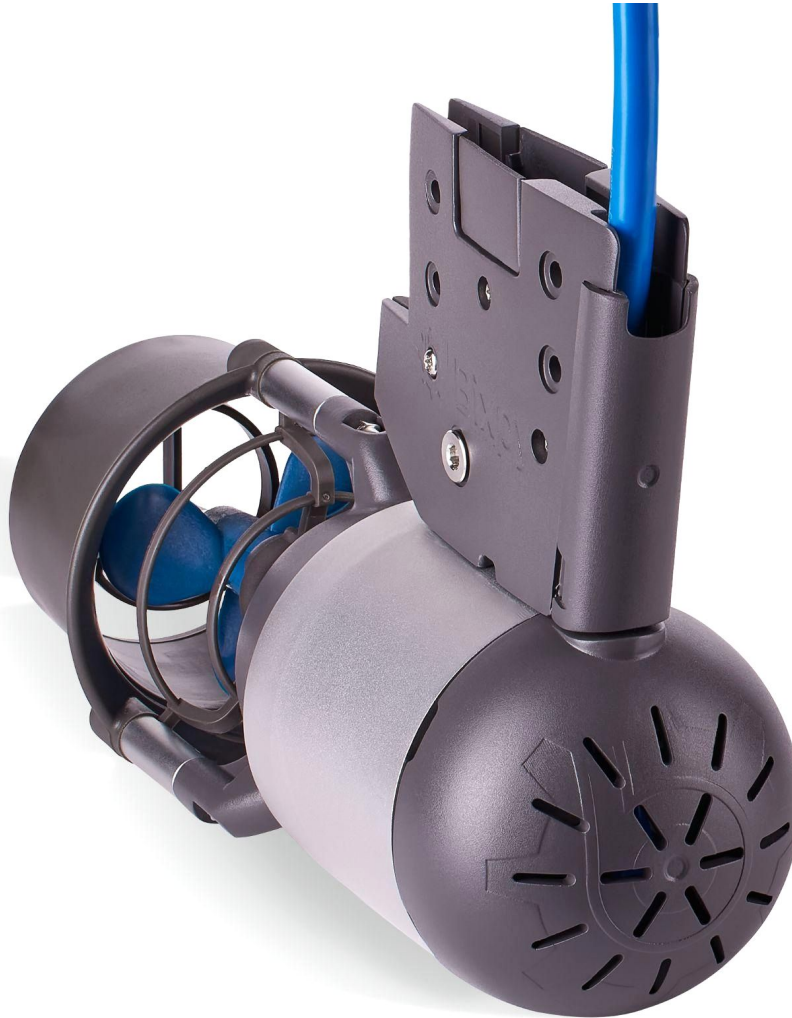
En algunos municipios, condados, estados o países es obligatorio registrar los kayaks, SUP o canoas motorizados en el organismo local encargado de conceder licencias. Por ejemplo, en muchos estados de EE.UU., el Departamento de Vehículos Motorizados (DMV) o la Guardia Costera le exigirán que registre su kayak motorizado como embarcación motorizada. Asegúrese de tomar las medidas necesarias para cumplir las leyes y normativas locales aplicables a su embarcación una vez motorizada. En los EE.UU. un buen recurso para encontrar más información es www.takemefishing.org. A efectos de registro o exención de registro en determinados lugares, tenga en cuenta que los Jets Bixpy son motores eléctricos que producen menos de 10 caballos de potencia.

Variación del producto

Algunos de los productos fotografiados pueden presentar ligeras diferencias con respecto a los productos del envase, tanto estéticas como funcionales.



Bixpy
LIFE BOOSTED



Moteur K-1 - Manuel d'utilisation et guide de sécurité



Merci d'avoir acheté un produit Bixpy. Vous faites désormais partie d'une famille de chercheurs d'aventure qui possèdent l'un des systèmes de propulsion aquatique personnels les plus perfectionnés, les plus polyvalents et les plus pratiques au monde.

Les produits Bixpy allient les dernières technologies en matière de moteur et de batterie à une ingénierie mécanique finement réglée pour vous offrir des gadgets qui redéfinissent la façon dont vous interagissez avec les éléments. Ils nécessitent donc un peu d'apprentissage et une attention particulière. Il existe également des fonctions cachées et des informations de dépannage qui sont essentielles au fonctionnement et au bien-être de votre appareil Bixpy.

Par conséquent, avant toute chose, et surtout avant d'aller à l'eau, veuillez lire ce manuel d'utilisation et apprendre à utiliser et à prendre soin de votre Bixpy Power Pack. Une mauvaise utilisation et un manque d'entretien peuvent être dangereux pour vous et votre entourage, annuler votre garantie et rendre votre appareil inutilisable.



L'utilisation d'un moteur et de batteries sur un bateau peut être dangereuse et comporte certains risques qui ne peuvent souvent pas être prévus ou évités. Ces risques comprennent, sans s'y limiter, les blessures corporelles ou la mort, les dommages matériels pouvant résulter d'une perte de contrôle, les collisions avec d'autres utilisateurs ou nageurs, ainsi qu'avec des objets naturels et artificiels et/ou des animaux/plantes. En choisissant d'utiliser un produit Bixpy, vous assumez ces risques et devez donc connaître et mettre en pratique les règles de sécurité nautique, la conduite responsable et l'utilisation et l'entretien corrects de votre (vos) produit(s) Bixpy afin de réduire ces risques. Comme il est impossible de prévoir toutes les situations ou conditions qui peuvent se produire dans l'eau sous l'action d'un moteur, Bixpy ne peut donner aucune garantie quant à l'utilisation et à la sécurité des produits Bixpy dans toutes les conditions.

En achetant et/ou en utilisant les produits Bixpy, vous reconnaissez, acceptez et comprenez les dangers liés à l'utilisation des produits et accessoires Bixpy. En votre nom et au nom de vos héritiers, exécuteurs, administrateurs, successeurs et cessionnaires : (1) Vous assumez pleinement les risques liés à l'utilisation des produits Bixpy et acceptez de faire preuve de discernement dans vos activités afin de réduire ces risques. (2) Accepter de suivre strictement et intégralement toutes les consignes de sécurité contenues dans le présent document et/ou fournies sur le site web de Bixpy ou dans les communications connexes. (3) Renoncer pleinement et volontairement à l'engagement de ne pas intenter de procès et accepter d'indemniser et de dégager de toute responsabilité Bixpy, ses membres, employés, dirigeants, gestionnaires, agents, revendeurs et représentants, en cas de réclamation ou de perte pour dommages corporels, matériels et/ou décès résultant de l'utilisation de produits et/ou d'accessoires Bixpy.

En outre : (1) vous admettez et acceptez que cette renonciation et cette prise en charge des risques soient aussi larges et inclusives que le permet la loi applicable et que si une partie de cette renonciation est jugée invalide, le reste restera néanmoins en vigueur (2) vous admettez et acceptez que cette prise en charge des risques et cette renonciation prévoient la libération des droits légaux et (3) vous renoncez expressément à tout avantage pouvant être disponible en vertu de la section 1542 du code civil californien, comme suit : Une décharge de responsabilité générale ne s'étend pas aux réclamations dont le créancier ne connaît pas ou ne soupçonne pas l'existence en sa faveur au moment de l'exécution de la décharge et qui, si elles avaient été connues par le créancier, auraient matériellement affecté son règlement avec le débiteur.

Veillez noter que vos polices d'assurance peuvent ne pas couvrir les incidents résultant de l'utilisation des produits Bixpy. Veuillez contacter votre compagnie d'assurance pour déterminer votre couverture avant d'utiliser les produits Bixpy.

SI VOUS NE CONSENTEZ PAS PLEINEMENT À TOUTES CES DISPOSITIONS, VOUS NE DEVEZ PAS UTILISER LES PRODUITS BIXPY.



Veillez lire et conserver ces avertissements et précautions pour référence ultérieure. Le non-respect des consignes de sécurité et d'entretien des produits Bixpy peut provoquer la perte de la garantie, des dommages matériels, des blessures graves, voire la mort.

N'utilisez JAMAIS les Bixpy Jets pour aller plus loin que ce que vous pouvez nager, pagayer ou pédaler par vos propres moyens. Comme tout autre appareil électronique, il est susceptible à tout moment de cesser de fonctionner comme prévu. Assurez-vous toujours que son arrêt ne vous expose pas à un danger.

En cas de dysfonctionnement, si le moteur ne s'arrête pas de fonctionner, retirez-le de l'eau dès que possible et débranchez-le du bloc d'alimentation. Rappelez-vous qu'en cas d'urgence, il est préférable d'abandonner votre appareil plutôt que de risquer votre bien-être.

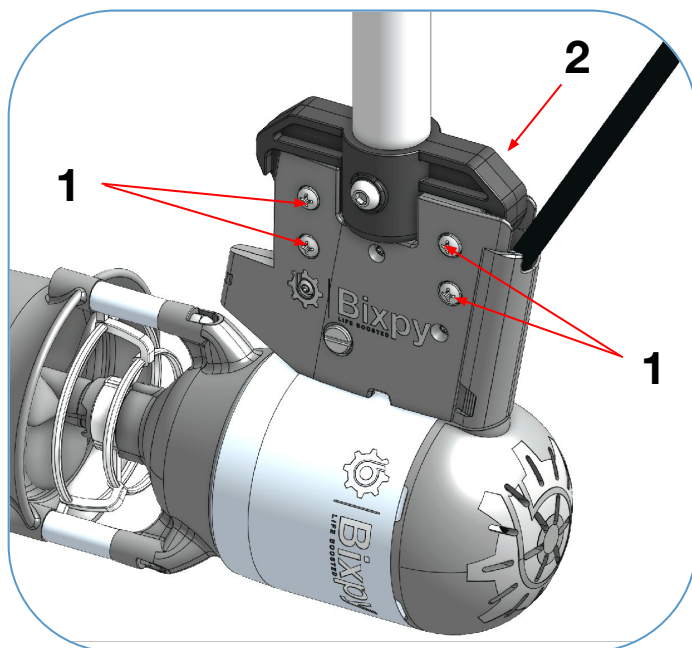
Vous devez prendre les précautions suivantes lors de l'utilisation d'un produit Bixpy:

- Ne pas faire fonctionner votre moteur dans l'air à grande vitesse ou pendant des périodes prolongées
- Les batteries Bixpy Outboard sont **UNIQUEMENT** conçues pour faire fonctionner les moteurs Bixpy
- Les moteurs Bixpy ne fonctionnent qu'avec les batteries Bixpy Outboard.
- Ne jamais utiliser le moteur sous l'influence de drogues ou d'alcool
- Veillez à ce que les cheveux longs ne pénètrent pas dans l'hélice.
- Ne pas porter de vêtements ou d'objets amples lors de l'utilisation des Bixpy Jets
- Toujours porter un vêtement de flottaison individuel approuvé
- Les enfants de moins de 8 ans ne doivent pas l'utiliser
- Tous les enfants ne doivent l'utiliser que sous la surveillance d'un adulte
- Une mauvaise utilisation peut entraîner des blessures graves, voire mortelles.
- Toujours rincer à l'eau claire après une utilisation en eau salée
- Ne pas exposer les connecteurs nus à l'eau - les connecteurs ne sont étanches que lorsqu'ils sont connectés
- Toujours utiliser les capuchons de connecteurs fournis lorsque les connecteurs ne sont pas connectés
- Utiliser et stocker à une température supérieure à 0°C (32°F) et inférieure à 45°C (113°F).
- Ne pas utiliser de produits chimiques agressifs pour nettoyer les produits Bixpy
- Ne JAMAIS vaporiser les produits Bixpy avec quoi que ce soit - y compris des peintures et/ou des produits d'étanchéité à l'eau

Votre moteur Bixpy K-1 possède un point d'attache à quatre trous qui sert à le fixer à une variété d'adaptateurs de montage Bixpy disponibles sur le site www.bixpy.com/adapters. Le même point de fixation peut être utilisé pour vous permettre de monter le moteur sur votre propre adaptateur (DIY). Pour fixer votre moteur Bixpy à votre adaptateur, ouvrez les écrous et les boulons M4 fournis et glissez votre adaptateur dans l'ouverture en vous assurant que la sortie du moteur est orientée vers l'arrière de votre adaptateur. Utilisez un tournevis Phillips pour fixer les quatre écrous et boulons (NE PAS trop serrer).

Fixez le câble d'alimentation à votre adaptateur à l'aide de zip-ties et des pinces à tuyau Bixpy fournies (ce n'est pas nécessaire pour tous les adaptateurs) - voir ci-dessous.

Veillez à ce que le câble ne soit pas plié ou courbé sur son chemin vers le bloc d'alimentation Bixpy.



Utilisez les écrous et les boulons M4 fournis (1) pour fixer le moteur Bixpy à l'adaptateur Bixpy (2).

Si vous fabriquez votre propre adaptateur pour une utilisation personnelle, consultez le site www.bixpy.info pour obtenir des instructions et télécharger un modèle pour réaliser vos propres schémas de perçage sur votre récepteur ou adaptateur personnel.

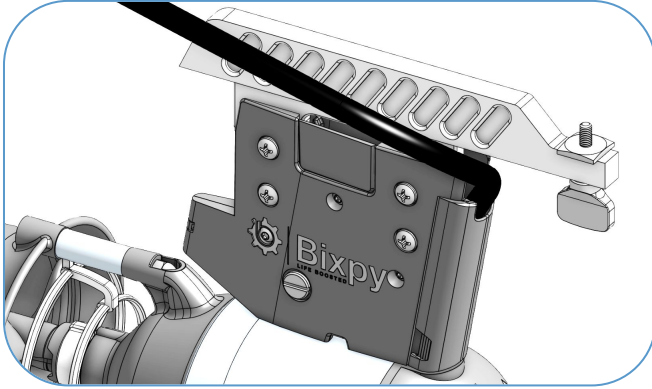


NE SERREZ PAS trop les vis et les boulons, car cela pourrait endommager l'adaptateur ou la fixation standard.

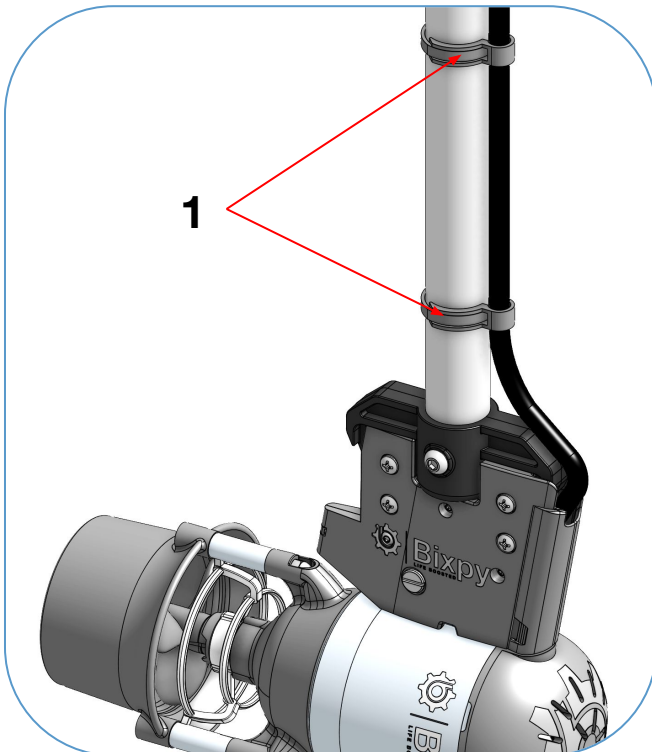
Si vous utilisez votre propre matériel, veuillez à utiliser des fixations en acier inoxydable de haute qualité pour éviter la corrosion.

FAIRE FONCTIONNER LES CÂBLES DE VOTRE MOTEUR

Assurez-vous que vos câbles sortent proprement de votre moteur et passent autour de votre adaptateur. Ne faites pas de coudes brusques en tirant sur le câble et n'essayez pas de modifier le câble de quelque manière que ce soit. Vous risqueriez d'endommager les fils de signal à l'intérieur et d'empêcher votre appareil de fonctionner.



Si vous utilisez un adaptateur d'aileron ou de gouvernail, faites simplement passer le câble de votre moteur à votre batterie. Utilisez des attaches éclair ou des cordons pour sécuriser votre câble et éviter qu'il ne pende ou ne s'accroche.



Si vous utilisez un adaptateur Bixpy avec un tuyau vertical, vous pouvez utiliser les colliers de serrage Bixpy (1) et les attaches éclair pour fixer le câble au tuyau de l'adaptateur et faire remonter le câble aussi loin que vous le souhaitez dans le tuyau de l'adaptateur avant de l'acheminer jusqu'à votre bloc d'alimentation Bixpy.

Des pinces à câble Bixpy supplémentaires sont disponibles à l'achat à l'adresse suivante

www.bixpy.com



Le moteur Bixpy K-1 est un système de transmission directe et, à ce titre, il fonctionne silencieusement et efficacement grâce à des batteries rechargeables au lithium. Le boîtier du moteur et tous les Bixpy Power Packs sont entièrement scellés et ne nécessitent qu'un minimum d'entretien. Gardez-les propres et rincez-les ou passez-les à l'eau douce après chaque utilisation. Le moteur et les blocs d'alimentation sont plus performants lorsqu'ils sont propres et stockés dans un endroit frais et sec.

- L'avant de votre moteur Bixpy sert de système de refroidissement d'eau pour l'électronique à l'intérieur du boîtier et la "face" en plastique sert de pare-chocs pour votre moteur en cas d'impact. Ne bloquez pas les prises d'eau et ne travaillez pas sans le pare-chocs.
- L'hélice Bixpy est conçue avec un mécanisme de "coupe" à sa base pour briser les mauvaises herbes et l'herbe. Malgré cela, les zostères et autres plantes longues et fibreuses peuvent se frayer un chemin dans l'entrée et s'enrouler autour de l'hélice. Ne faites pas tourner le moteur si de l'herbe ou des mauvaises herbes obstruent le logement de l'hélice. Cela peut faire surchauffer le moteur et, à long terme, endommager le moteur et/ou les blocs d'alimentation. Utilisez une pince pour retirer l'herbe ou d'autres débris du logement de l'hélice. Dans les cas extrêmes, vous pouvez ouvrir la sortie à l'aide d'une clé Allen de 3 millimètres et nettoyer le logement de l'hélice. Dans le cas rare où vous casseriez votre hélice, NE faites PAS fonctionner votre moteur avec une hélice cassée.
- Votre Jet utilise certains des alliages les plus avancés pour garantir une utilisation sans entretien en eau salée. Néanmoins, nous recommandons de rincer ou de faire fonctionner votre équipement à l'eau douce après une utilisation en eau salée afin de prolonger sa durée de vie.
- Votre moteur Bixpy est conçu pour fonctionner dans l'eau. Il utilise l'eau comme liquide de refroidissement et pour modérer la vitesse de l'hélice. Le faire fonctionner dans l'air peut endommager votre moteur et/ou vos Power Packs. NE PAS FAIRE FONCTIONNER DANS L'AIR.
- Consultez www.bixpy.com/spare-parts ou un revendeur agréé Bixpy pour les pièces de rechange.

Tous les moteurs, blocs d'alimentation et accessoires Bixpy ont été vérifiés plusieurs fois pour détecter les défauts et ont fonctionné individuellement pour un contrôle de qualité et un fonctionnement sans défaut. Cependant, si vous rencontrez un problème ou une fonction de sécurité intégrée qui fait que votre moteur ou vos batteries ne fonctionnent pas comme prévu, le tableau ci-dessous offre quelques conseils simples de dépannage. Si vous rencontrez d'autres problèmes, n'hésitez pas à nous contacter pour obtenir de l'aide:

www.bixpy.com/support

Le moteur est raccordé mais ne fonctionne pas	Vérifiez que vos connecteurs sont bien emboîtés et secs. La présence d'eau dans les connecteurs peut entraîner le grippage du moteur. Assurez-vous que la pile de votre télécommande est neuve et qu'elle fonctionne. Essayez de faire fonctionner le moteur en utilisant le " bouton d'urgence 4 ". Cliquez ici: www.bixpy.com/4taps
Le moteur semble grippé et émet des bruits parasites	Si vous n'avez pas bien raccordé vos connecteurs, l'eau court-circuitera vos fils de signal et le moteur agira de manière convulsive. Parfois, il peut sembler que l'hélice est grippée, mais une fois l'alimentation coupée, vous devriez pouvoir faire tourner l'hélice avec vos doigts. En cas de pénétration d'eau dans les connecteurs, retirez-les, utilisez de l'air comprimé et de l'alcool pour les rincer et les sécher, remettez-les en place et essayez à nouveau de faire tourner le moteur.
Mon moteur ne s'arrête pas de tourner	Ceci est vraisemblablement dû à une entrée d'eau dans le moteur ou dans la batterie, ou à un coup violent sur la batterie qui a endommagé les circuits de la batterie. Déconnectez la batterie de votre moteur, arrêtez d'utiliser votre produit et contactez Bixpy à l'adresse suivante: support@bixpy.com dès que possible.



ARTICLE(S)	DÉTAILS	SOURCE
Guides d'installation et téléchargements (y compris vidéos et images)	Ceci inclut tous les adaptateurs ainsi que des liens vers des éléments de maintenance courants, tels que le changement des piles de la télécommande, le nettoyage de votre appareil, le téléchargement des manuels d'utilisation et bien plus encore.	www.bixpy.com/guides
Liste des adaptateurs	Trouvez le meilleur adaptateur de montage pour votre kayak, paddleboard ou autre embarcation personnelle.	www.bixpy.info
Médias sociaux	Chaîne YouTube	www.youtube.com/bixpy
	Instagram	www.instagram.com/bixpymotors www.instagram.com/bixpybatteries
	FaceBook	www.facebook.com/bixpy
	Twitter	www.twitter.com/bixpy
	Pinterest	www.pinterest.com/bixpy
FAQs	Trouvez des questions et des réponses sur les produits que nous fabriquons.	www.bixpy.com/faqs
Tous les adaptateurs Bixpy disponibles	Liste de tous les adaptateurs que nous vendons pour différents types de bateaux.	www.bixpy.com/adapters
Dépannage	Apprenez à résoudre les problèmes courants liés aux jets et aux erreurs d'utilisation.	www.bixpy.com/trouble
Plans des magasins	Découvrez où nous vendons les Bixpy Jets	www.bixpy.com/find-a-store-near-you
Assistance	Pour les réparations, la garantie et l'assistance produit	www.bixpy.com/support/



Bixpy assure la garantie de ses produits matériels contre les défauts de matériaux et de fabrication pour une période d'un (1) an à compter de la date d'achat originale, à condition que l'achat ait été effectué auprès d'un revendeur Bixpy agréé ou directement auprès de Bixpy ou du site web de Bixpy. Cette garantie est annulée si l'équipement est ouvert, altéré, mal utilisé, mal réglé, subit une usure excessive ou est réparé par des personnes non autorisées par Bixpy LLC. Les Bixpy Jets sont conçus pour un usage de loisir et ne sont pas garantis pour un usage commercial ou locatif. La garantie n'inclut pas les frais de transport encourus en raison de la nécessité d'un entretien. Bixpy se réserve le droit d'apporter des modifications à la conception et d'améliorer ses produits sans obligation d'installer ces améliorations dans les produits déjà fabriqués et vendus. Pour les services de garantie ou pour une copie de la politique de garantie de Bixpy, y compris une liste complète des exclusions et des limitations, contactez Bixpy LLC au 1-866-249-7910.

AVANT de nous renvoyer un produit, veuillez contacter notre service clientèle pour discuter de votre problème et obtenir une autorisation de retour de marchandise (RMA). L'expédition de batteries lithium-ion est limitée et nous n'acceptons pas les retours sans accord préalable. Veuillez nous contacter pour de plus amples informations sur le traitement des produits défectueux à l'adresse suivante : support@bixpy.com.

Nous ne sommes pas en mesure d'accueillir les visiteurs à notre siège social de San Diego. Par conséquent, même si vous êtes de la région, n'apportez pas votre produit à nos bureaux sans avoir pris des dispositions préalables.

TAILLE DU MOTEUR

Largeur le long du corps du moteur:	80mm
Largeur le long de la buse de sortie:	91.5 mm
Longueur:	230mm
Taille (y compris l'adaptateur d'aileron):	155 mm
Poids:	1270 grammes

TENSION DE SORTIE

Sortie maximale en utilisant PP-378 V4:	400 watts
Poussée équivalente:	Jusqu'à 15 kg
Mouvement de l'eau:	~500 L/min

Sortie maximale en utilisant PP-768:	450 watts
Poussée équivalente:	Jusqu'à 17 kg
Mouvement de l'eau:	~550 L/min

CONNECTEURS:

Connecteur Bixpy à 5 broches - conçu pour une utilisation maximale de 30V avec les batteries Bixpy. 30V avec les batteries Bixpy

INDICE IP DU MOTEUR:

Classé IP68

INDICE DE CORROSION:

Tous les composants sont résistants à l'eau douce et à l'eau de mer





Bixpy® (en anglais)

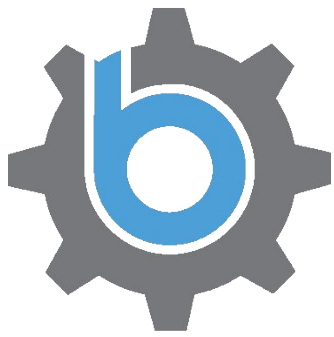
Bixpy, Bixpy Jet et le logo Bixpy, la marque Life Boosted sont des marques déposées de Bixpy LLC. Droit d'auteur 2023®.

Enregistrement de votre bateau

Dans certaines municipalités, certains comtés, certains États ou certains pays, il est exigé que vous enregistriez vos kayaks, SUP ou canoës motorisés auprès de l'organisme local chargé de délivrer les permis. Ainsi, dans de nombreux États américains, le Department of Motor Vehicles (DMV) ou les garde-côtes vous demanderont d'enregistrer votre kayak motorisé en tant que bateau motorisé. Veuillez à prendre les mesures nécessaires pour vous conformer aux lois et réglementations locales qui s'appliquent à votre embarcation une fois qu'elle est motorisée. Aux États-Unis, vous trouverez de plus amples informations sur le site www.takemefishing.org. Pour les besoins de l'enregistrement ou de la dispense d'enregistrement dans certains endroits, veuillez noter que les Bixpy Jets sont des moteurs électriques qui produisent moins de 10 chevaux.

Différences entre les produits

Certains des produits illustrés peuvent présenter de légères différences par rapport aux produits contenus dans l'emballage, tant sur le plan esthétique que sur le plan fonctionnel.



Bixpy
LIFE BOOSTED



K-1 Motor - Benutzerhandbuch und Sicherheitsleitfaden



Vielen Dank für den Kauf eines Bixpy-Produkts. Sie sind nun Teil einer Familie von Abenteurern, die eines der fortschrittlichsten, vielseitigsten und tragbarsten persönlichen Wasserantriebssysteme der Welt besitzen.

Die Produkte von Bixpy kombinieren die neueste Motor- und Batterietechnologie mit fein abgestimmter Mechanik, um Ihnen Gadgets zu bieten, die die Art und Weise, wie Sie mit den Elementen interagieren, neu definieren. Als solche erfordern sie ein wenig Einarbeitung und besondere Sorgfalt. Es gibt auch versteckte Funktionen und Informationen zur Fehlerbehebung, die für den Betrieb und das Wohlbefinden Ihres Bixpy-Geräts entscheidend sind.

Bevor Sie sich also auf das Wasser begeben, lesen Sie BITTE dieses Benutzerhandbuch durch und lernen Sie, wie Sie Ihr Bixpy Power Pack benutzen und pflegen müssen. Fehlgebrauch und mangelnde Sorgfalt können für Sie und Ihre Mitmenschen gefährlich sein, Ihre Garantie erlöschen lassen und Ihr Gerät unbrauchbar machen.



Die Verwendung eines Motors/einer Batterie auf einem Wasserfahrzeug kann gefährlich sein und birgt bestimmte Risiken, die oft nicht vorhergesagt oder vermieden werden können. Zu diesen Risiken gehören unter anderem Verletzungen oder Tod, Sachschäden, die durch Kontrollverlust entstehen können, Zusammenstöße mit anderen Benutzern oder Schwimmern des Wasserfahrzeugs sowie mit natürlichen und künstlichen Objekten und/oder Tieren/Pflanzen. Indem Sie sich für ein Bixpy-Produkt entscheiden, nehmen Sie diese Risiken auf sich und müssen daher die Wassersicherheitsregeln, eine verantwortungsvolle Fahrweise und die ordnungsgemäße Verwendung und Wartung Ihres Bixpy-Produkts kennen und praktizieren, um diese Risiken zu verringern. Da es unmöglich ist, jede Situation oder Bedingung vorherzusehen, die bei der Verwendung von Motorbooten im Wasser auftreten kann, kann Bixpy keine Zusicherung oder Garantie für die Verwendung und Sicherheit von Bixpy-Produkten unter allen Bedingungen geben.

Durch den Kauf und/oder die Verwendung von Bixpy-Produkten erkennen Sie die mit der Verwendung von Bixpy-Produkten und -Zubehör verbundenen Gefahren an, stimmen ihnen zu und verstehen sie. In Ihrem eigenen Namen und im Namen Ihrer Erben, Testamentsvollstrecker, Verwalter, Nachfolger und Rechtsnachfolger: (1) Sie übernehmen in vollem Umfang die Risiken, die mit der Verwendung von Bixpy-Produkten verbunden sind, und verpflichten sich, bei der Durchführung Ihrer Aktivitäten Ihr bestes Urteilsvermögen einzusetzen, um diese Risiken zu verringern. (2) Sie verpflichten sich, alle Sicherheitsanweisungen in diesem Dokument und/oder auf der Bixpy-Website oder in damit verbundenen Mitteilungen strikt und vollständig zu befolgen. (3) Sie verzichten vollständig und freiwillig auf eine Klageverzichtserklärung und erklären sich damit einverstanden, Bixpy, seine Mitglieder, Angestellten, leitenden Angestellten, Manager, Agenten, Wiederverkäufer und Vertreter von jeglichen Ansprüchen oder Verlusten aufgrund von Personen-, Sach- und/oder Todesfällen, die sich aus der Verwendung von Bixpy-Produkten und/oder -Zubehör ergeben, freizustellen und schadlos zu halten.

Des Weiteren: (1) erkennen Sie an und stimmen zu, dass diese Verzichtserklärung und Risikoübernahme so weit und umfassend sein soll, wie es das geltende Recht zulässt, und dass, wenn ein Teil davon für ungültig erklärt wird, der Rest dennoch in vollem Umfang in Kraft bleibt, (2) erkennen Sie an und stimmen zu, dass diese Risikoübernahme und Verzichtserklärung die Freistellung von Rechtsansprüchen vorsieht, und (3) verzichten Sie ausdrücklich auf jegliche Vorteile, die gemäß Abschnitt 1542 des kalifornischen Bürgerlichen Gesetzbuchs wie folgt verfügbar sind: Eine allgemeine Freigabe erstreckt sich nicht auf Ansprüche, von denen der Gläubiger zum Zeitpunkt der Ausfertigung der Freigabe nicht weiß oder vermutet, dass sie zu seinen Gunsten bestehen, die aber, wenn sie ihm bekannt gewesen wären, seine Abrechnung mit dem Schuldner wesentlich beeinflusst hätten.

Bitte beachten Sie, dass Ihre Versicherungspolizen möglicherweise keine Deckung für Vorfälle bieten, die sich aus der Verwendung von Bixpy-Produkten ergeben. Bitte erkundigen Sie sich vor der Verwendung von Bixpy-Produkten bei Ihrer Versicherungsgesellschaft nach Ihrem Versicherungsschutz.

WENN SIE NICHT MIT ALLEN DIESEN BESTIMMUNGEN EINVERSTANDEN SIND, SOLLTEN SIE KEINE BIXPY-PRODUKTE VERWENDEN.



Bitte lesen Sie diese Warnhinweise und Vorsichtsmaßnahmen und bewahren Sie sie zum späteren Nachschlagen griffbereit auf. Wenn Sie Ihre Bixpy-Produkte nicht sicher bedienen und pflegen, kann dies zum Verlust der Garantie, zu Sachschäden, schweren Verletzungen oder zum Tod führen.

Benutzen Sie den Bixpy Jets NIEMALS, um weiter zu fahren, als Sie schwimmen, paddeln oder mit eigener Kraft zurückfahren können. Wie bei jedem anderen elektronischen Gerät besteht die Möglichkeit, dass Ihr Gerät zu einem beliebigen Zeitpunkt nicht mehr wie erwartet funktioniert. Vergewissern Sie sich immer, dass ein Ausfall Sie nicht in Gefahr bringt.

Im Falle einer Fehlfunktion, bei der der Motor nicht aufhört zu arbeiten, entfernen Sie den Motor so schnell wie möglich aus dem Wasser und ziehen Sie den Stecker aus der Steckdose. Denken Sie daran, dass es in einem Notfall besser ist, Ihr Gerät aufzugeben, als Ihr Wohlergehen zu riskieren.

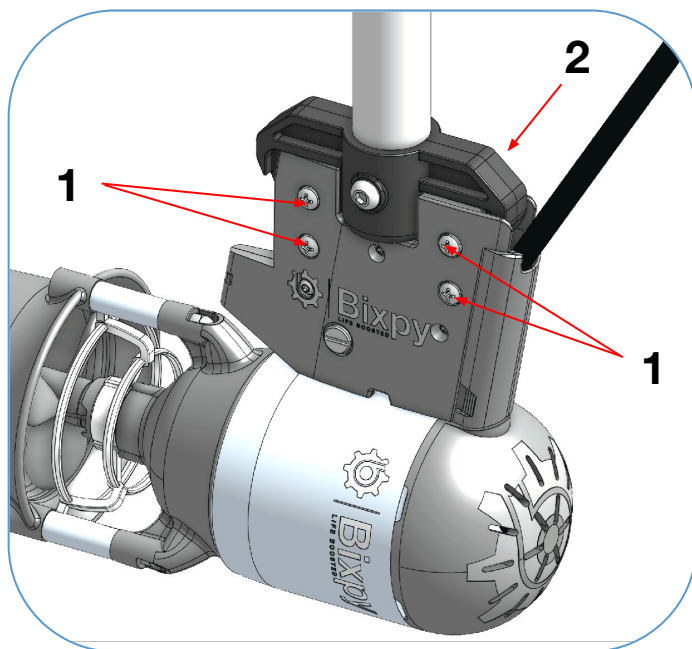
Bei der Verwendung von Bixpy-Produkten müssen Sie die folgenden Vorsichtsmaßnahmen beachten:

- Lassen Sie den Motor nicht mit hoher Geschwindigkeit oder über längere Zeiträume in der Luft laufen.
- Bixpy Außenbordbatterien sind NUR für den Betrieb von Bixpy-Motoren vorgesehen.
- Bixpy-Motoren laufen nur mit Bixpy-Außenbordbatterien
- Niemals unter dem Einfluss von Drogen oder Alkohol benutzen
- Achten Sie darauf, dass lange Haare nicht in den Propeller geraten.
- Tragen Sie bei der Verwendung von Bixpy Jets keine lose Kleidung oder Gegenstände
- Tragen Sie immer eine zugelassene persönliche Schwimmhilfe
- Nicht für Kinder unter 8 Jahren geeignet
- Darf von allen Kindern nur unter Aufsicht von Erwachsenen benutzt werden
- Fehlgebrauch kann zu schweren Verletzungen oder zum Tod führen
- Nach dem Gebrauch in Salzwasser immer in sauberem Süßwasser ausspülen
- Setzen Sie blanke Stecker nicht dem Wasser aus - Stecker sind nur wasserdicht, wenn sie zusammengesteckt sind.
- Verwenden Sie immer die mitgelieferten Steckerkappen, wenn die Stecker nicht zusammengesteckt sind.
- Betrieb und Lagerung über 0°C (32°F) und unter 45°C (113°F)
- Verwenden Sie keine scharfen Chemikalien zur Reinigung von Bixpy-Produkten.
- Besprühen Sie Bixpy-Produkte NIEMALS mit irgendetwas - auch nicht mit Farben und/oder Wasserabdichtungen.

Ihr Bixpy K-1 Motor verfügt über einen Befestigungspunkt mit vier Löchern, mit dem er an einer Vielzahl von Bixpy-Montageadaptern befestigt werden kann, die unter www.bixpy.com/adapters erhältlich sind. Dieselbe Befestigung kann verwendet werden, um den Motor an Ihrem eigenen (selbstgebauten) Adapter zu montieren. Um Ihren Bixpy-Motor an Ihrem Adapter zu befestigen, öffnen Sie die mitgelieferten M4-Muttern und Schrauben und schieben Sie Ihren Adapter in die Öffnung, wobei Sie darauf achten, dass der Motorausgang zur Rückseite Ihres Adapters zeigt. Verwenden Sie einen Kreuzschlitzschraubendreher, um die vier Schrauben und Muttern zu befestigen (NICHT zu fest anziehen).

Verwenden Sie Kabelbinder und die mitgelieferten Bixpy-Rohrschellen, um das Stromkabel an Ihrem Adapter zu befestigen (nicht bei allen Adaptern erforderlich) - siehe unten.

Vergewissern Sie sich, dass Ihr Kabel auf dem Weg zum Bixpy Power Pack keine scharfen Knicke oder Biegungen aufweist.



Verwenden Sie die mitgelieferten M4-Muttern und -Schrauben (1), um Ihren Bixpy-Motor an Ihrem Bixpy-Adapter (2) zu befestigen.

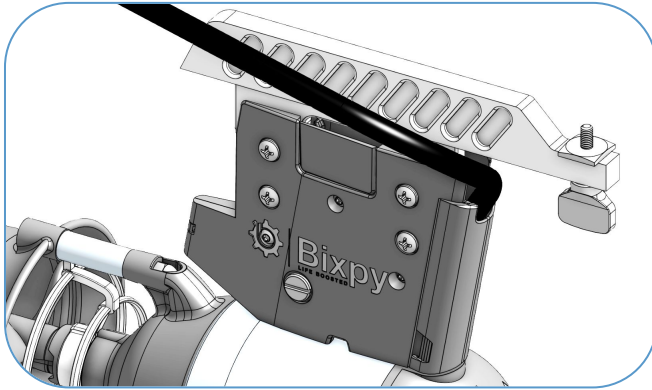
Wenn Sie Ihren eigenen Adapter für eine Heimwerkeranwendung herstellen möchten, finden Sie unter www.bixpy.info eine Anleitung und eine Vorlage zum Herunterladen, mit der Sie Ihre eigenen Lochmuster für Ihren Heimwerker-Empfänger oder Adapter erstellen können.



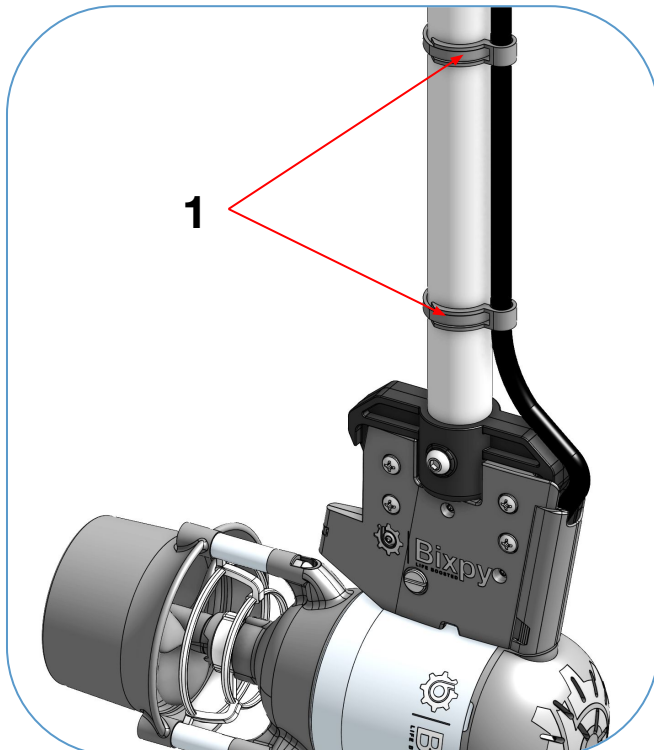
Ziehen Sie die Schrauben und Bolzen NICHT zu fest an, da dies zu einer Beschädigung des Adapters oder der Standardbefestigung führen kann.

Wenn Sie Ihre eigenen Beschläge verwenden, achten Sie darauf, dass Sie Befestigungselemente aus hochwertigem Edelstahl verwenden, um Korrosion zu vermeiden.

Vergewissern Sie sich, dass die Kabel sauber aus dem Motor und um den Adapter herum geführt werden. Machen Sie keine scharfen Biegungen, ziehen Sie nicht am Kabel und versuchen Sie nicht, das Kabel in irgendeiner Weise zu verändern. Andernfalls können die Signaldrähte im Inneren beschädigt werden, so dass Ihr Gerät nicht mehr funktioniert.



Wenn Sie einen Flossen- oder Ruderadapter verwenden, führen Sie das Kabel einfach vom Motor zum Akku. Verwenden Sie Kabelbinder oder Kordeln, um das Kabel zu sichern und zu verhindern, dass es herunterhängt oder sich verheddert.



Wenn Sie einen Bixpy-Adapter mit einem vertikalen Rohr verwenden, können Sie die mitgelieferten Bixpy-Drahtklemmen (1) und Kabelbinder verwenden, um das Kabel an Ihrem Adapterrohr zu befestigen, und das Kabel so weit wie gewünscht das Adapterrohr hinaufführen, bevor Sie es zu Ihrem Bixpy Power Pack führen.

Weitere Bixpy Wire Clips sind unter www.bixpy.com erhältlich.



Der Bixpy K-1 Motor ist ein Direktantriebssystem und arbeitet daher leise und effizient mit wiederaufladbaren Lithiumbatterien. Das Motorgehäuse und alle Bixpy Power Packs sind vollständig versiegelt und erfordern nur minimale Wartung. Halten Sie sie sauber und spülen Sie sie nach jedem Gebrauch ab oder lassen Sie sie in frischem Wasser laufen. Der Motor und die Power Packs sind am besten geeignet, wenn sie sauber gehalten und kühl und trocken gelagert werden.

- Die Vorderseite Ihres Bixpy-Motors dient als Wasserkühlung für die Elektronik im Inneren des Gehäuses und die Kunststofffront dient als Stoßfänger für Ihren Motor im Falle eines Aufpralls. Blockieren Sie nicht die Einlässe und arbeiten Sie nicht ohne den Stoßfänger.
- Der Bixpy-Propeller ist mit einem "Schneidmechanismus" an der Basis ausgestattet, um Unkraut und Gras zu zerkleinern. Trotzdem können Seegrass und andere lange und faserige Pflanzen in den Einlass gelangen und sich um den Propeller wickeln. Lassen Sie den Motor nicht laufen, wenn Gras oder Unkraut das Propellergehäuse verstopft. Dies kann den Motor überhitzen und auf lange Sicht den Motor und/oder die Power Packs zerstören. Verwenden Sie eine Pinzette, um Gras oder andere Verunreinigungen aus dem Propellergehäuse zu entfernen. In extremen Fällen können Sie den Auslass mit einem 3-Millimeter-Inbusschlüssel öffnen und Ihr Propellergehäuse reinigen. In dem seltenen Fall, dass Sie Ihren Propeller zerbrechen, dürfen Sie den Motor NICHT mit einem zerbrochenen Propeller betreiben.
- Ihr Jet verwendet einige der fortschrittlichsten Legierungen, um einen wartungsfreien Einsatz im Salzwasser zu gewährleisten. Dennoch empfehlen wir, Ihr Gerät nach dem Einsatz im Salzwasser in Süßwasser zu spülen oder laufen zu lassen, um seine Lebensdauer zu verlängern.
- Ihr Bixpy-Motor ist für den Betrieb im Wasser ausgelegt. Er verwendet Wasser als Kühlmittel und zur Dämpfung der Propellerdrehzahl. Ein Betrieb an der Luft kann Ihren Motor und/oder die Power Packs beschädigen. NICHT AN DER LUFT BETREIBEN.
- Besuchen Sie www.bixpy.com/spare-parts oder einen autorisierten Bixpy-Händler, um Ersatzteile zu erhalten.

Jeder Bixpy-Motor, jedes Power Pack und jedes Zubehörteil wurde mehrfach auf Defekte geprüft und zur Qualitätskontrolle und für einen fehlerfreien Betrieb einzeln betrieben. Sollte dennoch ein Problem auftreten oder eine eingebaute Sicherheitsfunktion dazu führen, dass Ihr Motor oder Ihre Batterien nicht wie erwartet funktionieren, finden Sie in der nachstehenden Tabelle einige einfache Hinweise zur Fehlerbehebung. Sollten Sie andere Probleme haben, können Sie sich jederzeit an uns wenden: www.bixpy.com/support

Motor angeschlossen, reagiert aber nicht	Vergewissern Sie sich, dass die Steckverbindungen gut und trocken sind. Wasser in den Steckern kann zum Festfressen des Motors führen. Vergewissern Sie sich, dass Ihre Fernbedienung eine neue Batterie hat und funktioniert. Versuchen Sie, den Motor mit dem "Emergency 4 Click" zu starten. Klicken Sie hier: www.bixpy.com/4taps
Motor scheint zu fressen und macht raue Geräusche	Wenn Sie Ihre Steckverbinder nicht gut verbunden haben, wird das Wasser die Signalkabel kurzschließen und der Motor wird sich krampfhaft verhalten. Manchmal hat es den Anschein, als ob der Propeller fest sitzt, aber sobald die Stromversorgung unterbrochen ist, sollten Sie den Propeller mit den Fingern drehen können. Falls Wasser in die Stecker eingedrungen ist, entfernen Sie den Stecker, spülen Sie ihn mit Druckluft und Alkohol ab, trocknen Sie ihn und stecken Sie den Stecker wieder ein, um den Motor erneut zu starten.
Mein Motor hört nicht auf zu laufen	Dies ist wahrscheinlich auf das Eindringen von Wasser in den Motor oder in den Akku zurückzuführen oder auf einen möglicherweise harten Schlag gegen den Akku, der die Schaltkreise des Akkus beschädigt hat. Trennen Sie den Akku vom Motor, verwenden Sie das Produkt nicht mehr und wenden Sie sich so bald wie möglich an Bixpy unter support@bixpy.com .



PUNKT(E)	DETAILS	RESSOURCE
Installationsanleitungen und Downloads (einschließlich Videos und Bilder)	Dazu gehören alle Adapter sowie Links zu allgemeinen Wartungshinweisen, wie z. B. das Wechseln von Fernbedienungsbatterien, das Reinigen Ihres Geräts, das Herunterladen von Benutzerhandbüchern und vieles mehr.	www.bixpy.com/guides
Adapter-Liste	Finden Sie den besten Montageadapter für Ihr Kajak, Paddelbrett oder anderes Wasserfahrzeug	www.bixpy.info
Soziale Medien	YouTube-Kanal	www.youtube.com/bixpy
	Instagram	www.instagram.com/bixpymotors www.instagram.com/bixpybatteries
	FaceBook	www.facebook.com/bixpy
	Twitter	www.twitter.com/bixpy
	Pinterest	www.pinterest.com/bixpy
FAQs	Hier finden Sie allgemeine Fragen und Antworten zu den von uns hergestellten Produkten	www.bixpy.com/faqs
Alle Bixpy-Adapter verfügbar	Liste aller Adapter, die wir für verschiedene Wasserfahrzeuge verkaufen	www.bixpy.com/adapters
Fehlersuche	Erfahren Sie, wie Sie allgemeine Probleme mit den Düsen und Benutzerfehler beheben können.	www.bixpy.com/trouble
Karten speichern	Sehen Sie, wo wir Bixpy Jets verkaufen	www.bixpy.com/find-a-store-near-you
Unterstützung erhalten	Für Reparaturen, Garantie und Produktsupport	www.bixpy.com/support/



Bixpy garantiert für seine Hardwareprodukte für einen Zeitraum von einem (1) Jahr ab dem ursprünglichen Kaufdatum Material- und Verarbeitungsfehler, sofern der Kauf bei einem autorisierten Bixpy-Händler oder direkt bei Bixpy oder auf der Bixpy-Website erfolgt ist. Diese Garantie erlischt, wenn das Gerät geöffnet, verändert, missbraucht, falsch gehandhabt, falsch eingestellt, übermäßig abgenutzt oder von einer nicht von Bixpy LLC autorisierten Partei gewartet wird. Bixpy Jets werden für den Freizeitgebrauch von Verbrauchern hergestellt und sind nicht für den kommerziellen oder Mietgebrauch garantiert. Die Garantie schließt keine Transportkosten ein, die durch die Notwendigkeit einer Wartung entstehen. Bixpy behält sich das Recht vor, Änderungen am Design vorzunehmen und seine Produkte zu verbessern, ohne dazu verpflichtet zu sein, diese Verbesserungen in bereits hergestellte und verkaufte Produkte einzubauen. Für Garantieleistungen oder ein Exemplar der Bixpy-Garantierichtlinien, einschließlich einer vollständigen Liste der Ausschlüsse und Einschränkungen, wenden Sie sich bitte an Bixpy LLC unter 1-866-249-7910.

BEVOR Sie uns etwas zurücksenden, kontaktieren Sie bitte unseren Kundendienst, um Ihr Problem zu besprechen und eine RMA (Return Merchandise Authorization) zu erhalten. Es gibt Einschränkungen für den Versand von Lithium-Ionen-Batterien und wir akzeptieren keine Rücksendungen ohne vorherige Absprache. Bitte kontaktieren Sie uns für weitere Informationen über den Umgang mit defekten Produkten unter: support@bixpy.com

Wir sind nicht in der Lage, den Publikumsverkehr in unserem Hauptsitz in San Diego zu bewältigen. Auch wenn Sie vor Ort sind, bringen Sie Ihr Produkt bitte nicht in unsere Büros, es sei denn, Sie haben vorher eine Vereinbarung getroffen.

MOTORGRÖSSE

Breite entlang des Motorkörpers:	80mm
Breite entlang der Ausgangsdüse:	91,5 mm
Länge:	230mm
Höhe (einschließlich oberem Flossenadapter):	155 mm
Gewicht:	1270 Gramm

AUSGANGSLEISTUNG

Max. Leistung mit PP-378 V4:	400 Watt
Schubkraftäquivalent:	bis zu 15 kg
Wasserbewegung:	~500 L/min

Max. Leistung mit PP-768:	450 Watt
Schubkraftäquivalent:	bis zu 17 kg
Wasserbewegung:	~550 L/min

ANSCHLÜSSE:

Bixpy 5-Pin-Anschluss - ausgelegt für max. 30V
Verwendung mit Bixpy Batterien

MOTOR IP-SCHUTZ:

IP68 eingestuft

KORROSIONSSCHUTZ:

Alle Komponenten sind süß- und salzwasserbeständig



Li-ion





Bixpy®.

Bixpy, Bixpy Jet und das Bixpy-Logo sowie die Marke Life Boosted sind Marken von Bixpy LLC. Copyright 2023®.

Registrierung Ihres Schiffes

In einigen Gemeinden, Bezirken, Bundesstaaten oder Ländern ist es erforderlich, dass Sie motorisierte Kajaks, SUPs oder Kanus bei Ihrer örtlichen Zulassungsstelle registrieren lassen. In vielen US-Bundesstaaten ist es beispielsweise erforderlich, dass Sie Ihr motorisiertes Kajak als motorisiertes Wasserfahrzeug bei der Kraftfahrzeugbehörde (DMV) oder der Küstenwache anmelden. Bitte stellen Sie sicher, dass Sie die notwendigen Schritte unternehmen, um die lokalen Gesetze und Vorschriften einzuhalten, die für Ihr motorisiertes Boot gelten. Eine gute Quelle für weitere Informationen in den USA ist www.takemefishing.org. Für die Zwecke der Registrierung oder der Befreiung von der Registrierung an bestimmten Orten beachten Sie bitte, dass Bixpy Jets Elektromotoren sind, die weniger als 10 Pferdestärken erzeugen.

Produktvariation

Einige der fotografierten Produkte können sowohl kosmetisch als auch funktionell leicht von den Produkten in der Verpackung abweichen.



Bixpy
LIFE BOOSTED



Motore K-1- Manuale d'Uso e Guida alla Sicurezza



Grazie per aver acquistato un prodotto Bixpy. Ora fai parte di una famiglia di avventurieri che possiede uno dei sistemi di propulsione ad acqua personali più avanzati, versatili e portatili al mondo.

I prodotti Bixpy combinano la più recente tecnologia del motore e della batteria con un'ingegneria meccanica finemente sintonizzata per darti gadget che ridefiniscono il modo in cui interagisci con gli elementi. In quanto tali, richiedono un po' di apprendimento e richiedono un po' di attenzione in più. Ci sono anche funzionalità nascoste e informazioni per la risoluzione dei problemi che sono fondamentali per il funzionamento e il benessere del tuo dispositivo Bixpy.

Quindi, prima di ogni altra cosa, e sicuramente prima di entrare in acqua, leggi questo Manuale Utente e impara come usare e prenderti cura del tuo Bixpy Power Pack. L'uso improprio e la mancanza di cure possono essere pericolosi per te e per chi ti circonda, invalidare la garanzia e rendere il tuo dispositivo inutilizzabile.



Utilizzo di un motore/ propulsore e batterie su qualsiasi moto d'acqua possono essere pericolose e comportano alcuni rischi che spesso non possono essere previsti o evitati. Tali rischi includono, a titolo esemplificativo ma non esaustivo, lesioni personali o morte, danni alla proprietà che possono derivare dalla perdita di controllo, collisioni con altri utenti o nuotatori di imbarcazioni e oggetti naturali e artificiali e/o animali/piante. Scegliendo di utilizzare un prodotto Bixpy ti assumi questi rischi e quindi devi conoscere e mettere in pratica le regole di sicurezza, la guida responsabile e l'uso e la manutenzione corretti dei tuoi prodotti Bixpy per ridurre questi rischi. Poiché è impossibile prevedere ogni situazione o condizione che può verificarsi mentre il motore è in acqua, Bixpy non può fornire alcuna dichiarazione o garanzia circa l'uso e la sicurezza dei prodotti Bixpy in tutte le condizioni.

Acquistando e/o utilizzando i prodotti Bixpy riconosci, accetti e comprendi i pericoli connessi all'utilizzo dei prodotti e degli accessori Bixpy. Tu per conto tuo e dei tuoi eredi, esecutori testamentari, amministratori, successori e cessionari: (1) Assumi pienamente i rischi connessi all'utilizzo dei prodotti Bixpy e accetti di usare il tuo miglior giudizio nell'intraprendere le tue attività per ridurre tali rischi. (2) Accetta di seguire rigorosamente e integralmente tutte le istruzioni di sicurezza contenute in questo documento e/o fornite sul sito web di Bixpy o relative comunicazioni. (3) Rinunciare completamente e volontariamente al patto di non citare in giudizio il rilascio e accettare di indennizzare e tenere indenne Bixpy i suoi membri, dipendenti, funzionari, dirigenti, agenti, rivenditori e rappresentanti da qualsiasi reclamo o perdita per lesioni personali, danni materiali e/o morte derivanti dall'uso di prodotti e/o accessori Bixpy.

Inoltre: (1) riconosci e accetti che questa rinuncia e assunzione di rischio è intesa come ampia e inclusiva come consentito dalla legge applicabile e che se una parte di essa è ritenuta non valida, il saldo continuerà comunque ad avere pieno vigore ed efficacia (2) riconoscere e accettare questa assunzione di rischio e la rinuncia prevede il rilascio dei diritti legali e (3) rinunciare espressamente a qualsiasi beneficio possa essere disponibile ai sensi della Sezione 1542 del Codice Civile della California come segue: Un rilascio generale non si estende ai reclami che il creditore non sa o sospetta di essere a suo favore al momento dell'esecuzione del rilascio che, se conosciuto da lui o lei, deve aver influenzato materialmente il suo accordo con il debitore.

Si prega di notare che le polizze assicurative potrebbero non fornire copertura per incidenti derivanti dall'uso dei prodotti Bixpy. Si prega di contattare la compagnia assicurativa per determinare la copertura prima di utilizzare i prodotti Bixpy.

SE NON ACCETTI COMPLETAMENTE TUTTE QUESTE DISPOSIZIONI NON DEVI UTILIZZARE I PRODOTTI BIXPY.



Si prega di leggere e conservare queste avvertenze e precauzioni a portata di mano per future consultazioni. Il mancato funzionamento e la cura in sicurezza dei prodotti Bixpy possono comportare la perdita della garanzia, danni alla proprietà, lesioni gravi o morte.

Non usare MAI Bixpy Jets per spingerti più lontano di quanto tu possa nuotare, pagaiare o pedalare all'indietro con le tue forze. Come qualsiasi altro dispositivo elettronico, c'è la possibilità che in qualsiasi momento il tuo dispositivo smetta di funzionare come previsto. Assicurati sempre che il suo sequestro non ti metta in pericolo.

In caso di malfunzionamento per cui il motore smetterà di funzionare, rimuovere il motore dall'acqua il prima possibile e staccare la spina dall'alimentatore. Ricorda che in caso di emergenza è meglio abbandonare il tuo dispositivo piuttosto che rischiare la tua salute.

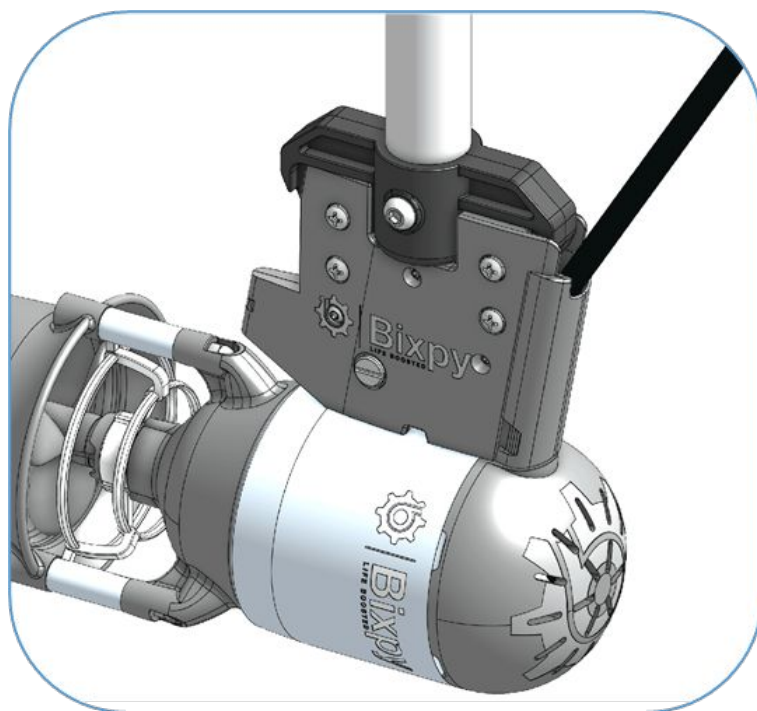
È necessario prendere le seguenti precauzioni quando si utilizza un prodotto Bixpy:

- Non far funzionare il motore in aria ad alta velocità o per periodi prolungati
- Le batterie Bixpy Outboard sono realizzate SOLO per far funzionare i motori Bixpy
- I motori Bixpy funzionano solo con batterie fuoribordo Bixpy
- Non utilizzare mai sotto l'effetto di droghe o alcool
- Prestare attenzione affinché i capelli lunghi non entrino nell'elica
- Non indossare indumenti larghi o oggetti durante l'utilizzo di Bixpy Jets
- Indossare sempre un dispositivo di galleggiamento personale approvato
- Non deve essere utilizzato da bambini di età inferiore a 8 anni
- Deve essere utilizzato da tutti i bambini solo sotto la supervisione di un adulto
- L'uso improprio può causare lesioni gravi o morte
- Sciacquare sempre in acqua dolce pulita dopo l'uso in acqua salata
- Non esporre i connettori scoperti all'acqua: i connettori sono impermeabili solo quando sono accoppiati
- Utilizzare sempre i cappucci dei connettori forniti quando i connettori non sono accoppiati
- Utilizzare e conservare a temperature superiori a 0°C (32°F) e inferiori a 45°C (113°F)
- Non utilizzare prodotti chimici aggressivi per pulire i prodotti Bixpy
- Non spruzzare MAI i prodotti Bixpy con alcuna sostanza, incluse vernici e/o sigillanti all'acqua

Il tuo motore Bixpy K-1 ha un punto di attacco a quattro fori che viene utilizzato per fissarlo a una varietà di adattatori di montaggio Bixpy disponibili su www.bixpy.com/adapters. Lo stesso attacco può essere utilizzato per consentire di montare il motore sul proprio adattatore (fai da te). Per fissare il tuo motore Bixpy all'adattatore, apri i dadi e i bulloni M4 forniti e fai scorrere l'adattatore nell'apertura assicurandoti che l'uscita del motore sia rivolta verso la parte posteriore dell'adattatore. Utilizzare un cacciavite Phillips per fissare i quattro dadi e bulloni (NON serrare eccessivamente).

Usa le fascette e le clip per tubi Bixpy fornite per fissare il cavo di alimentazione all'adattatore (non necessario per tutti gli adattatori) - vedi sotto.

Assicurati che non ci siano pieghe o piegature taglienti nel cavo lungo il percorso verso il tuo Bixpy Power Pack.



Utilizzare i dadi e i bulloni M4 forniti (1) per fissare il motore Bixpy all'adattatore Bixpy (2).

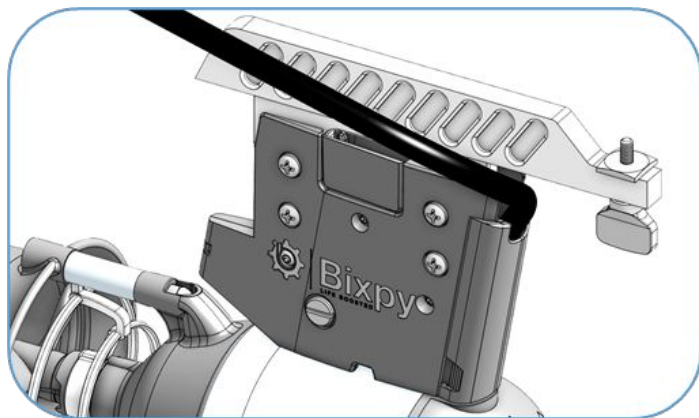
Se stai realizzando il tuo adattatore per un'applicazione fai-da-te, visita www.bixpy.info per le istruzioni e per scaricare un modello per creare i propri modelli di fori sul ricevitore o sull'adattatore fai-da-te.



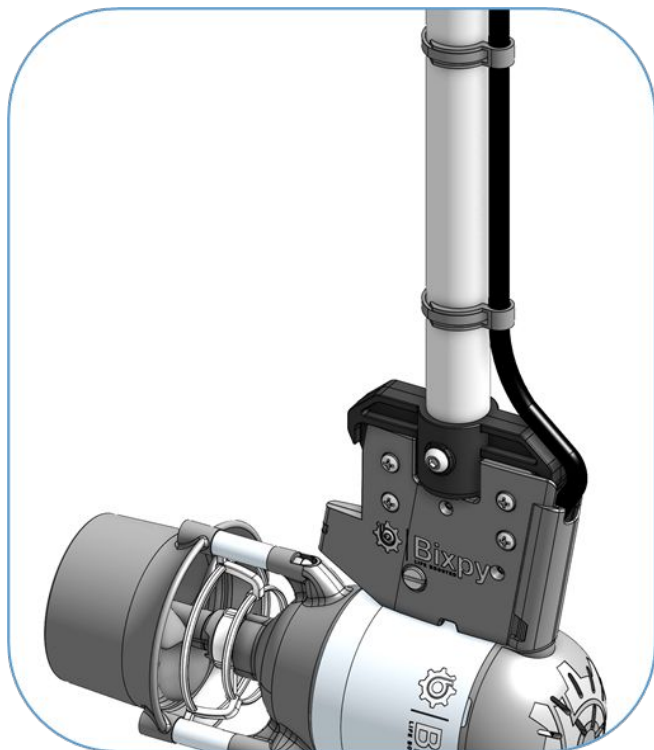
NON serrare eccessivamente le viti e i bulloni in quanto ciò potrebbe causare danni all'adattatore o all'attacco standard.

Se stai utilizzando il tuo hardware, assicurati di utilizzare elementi di fissaggio in acciaio inossidabile di alta qualità per evitare la corrosione.

Assicurati che i cavi escano in modo pulito dal motore e attorno all'adattatore. Non fare curve strette, tirare il cavo o cercare di modificare il cavo in alcun modo. Ciò potrebbe danneggiare i conduttori del cavo del segnale all'interno e impedire il funzionamento del dispositivo.



Se si utilizza un adattatore per deriva o timone, è sufficiente far passare il cavo dal motore alla batteria. Usa fascette o cavi per fissare il cavo ed evitare che penzoli o si impigli.



Se si utilizza un adattatore Bixpy con un tubo verticale, è possibile utilizzare le clip per cavi Bixpy (1) e le fascette in dotazione per fissare il cavo al tubo dell'adattatore e far scorrere il cavo lungo il tubo dell'adattatore quanto si desidera prima di farlo passare al tuo Bixpy Power Pack. Ulteriori Bixpy Wire Clips sono disponibili per l'acquisto su www.bixpy.com



Il motore Bixpy K-1 è un sistema a trasmissione diretta e come tale funziona in modo silenzioso ed efficiente utilizzando batterie al litio ricaricabili. L'alloggiamento del motore e tutti i Bixpy Power Pack sono completamente sigillati e richiedono una manutenzione minima. Tenerli puliti e sciacquarli o lavarli in acqua dolce dopo ogni utilizzo. Il motore e i gruppi di alimentazione dureranno di più se mantenuti puliti e conservati in condizioni fresche e asciutte.

- La parte anteriore del tuo Bixpy Motor funge da sistema di raffreddamento ad acqua per l'elettronica all'interno dell'alloggiamento e la "faccia" in plastica funge da paraurti per il tuo motore in caso di impatto. Non ostruire le prese d'aria e non operare senza paraurti.
- Il Bixpy Propeller è progettato con un meccanismo di "taglio" alla base per tagliare erbacce ed erba. Anche così l'anguilla e altre piante lunghe e fibrose possono farsi strada nella presa e avvolgersi attorno all'elica. Non eseguire il motore se l'erba o l'erba ostruiscono l'alloggiamento dell'elica. Questo può surriscaldare il motore e alla lunga può rovinare il tuo motore e/o Power Pack. Utilizzare le pinze per rimuovere l'erba o altri detriti dall'alloggiamento dell'elica. In casi estremi è possibile aprire l'uscita utilizzando una chiave a brugola da 3 millimetri e pulire l'alloggiamento dell'elica. Nel raro caso in cui si rompa l'elica NON fare funzionare il motore con un'elica rotta.
- Il tuo Jet utilizza alcune delle leghe più avanzate per garantire un uso senza manutenzione in acqua salata. Tuttavia, consigliamo di sciacquare o far funzionare l'attrezzatura in acqua dolce dopo l'uso in acqua salata per prolungarne la durata.
- Il tuo motore Bixpy è fatto per funzionare in acqua. Utilizza l'acqua come refrigerante e per moderare la velocità dell'elica. L'esecuzione in aria può danneggiare il tuo motore e/o Power Pack. **NON USARE IN ARIA.**
- Visita www.bixpy.com/spare-parts o un rivenditore Bixpy autorizzato per i pezzi di ricambio.



Ogni Bixpy Motor e Power Pack e gli accessori sono stati controllati più volte per difetti e utilizzati singolarmente per il controllo di qualità e il funzionamento senza difetti. Tuttavia, se riscontri un problema o incontri una funzione di sicurezza integrata che provoca il malfunzionamento del motore o le batterie non funzionano come previsto, la tabella di seguito offre alcuni semplici suggerimenti per la risoluzione dei problemi. Se riscontri altri problemi, non esitare a contattarci per ricevere assistenza: www.bixpy.com/support

Motore collegato ma non risponde

Controlla che i tuoi connettori siano ben accoppiati e asciutti. L'acqua nei connettori può causare l'arresto del motore. Assicurati che il tuo telecomando abbia una batteria nuova e funzionante. Prova a operare il motore utilizzando "Emergenza 4 Click". Clicca qui:

www.bixpy.com/4taps

Il motore sembra essere grippato ed emette suoni metallici

Se non hai accoppiato bene i tuoi connettori, l'acqua metterà in cortocircuito i tuoi cavi di segnale e il motore agirà in modo convulso. A volte può sembrare che l'elica si sia grippata, ma una volta scollegata l'alimentazione dovresti essere in grado di far girare l'elica con le dita. Nel caso in cui l'acqua penetri nei connettori, rimuovere il connettore, utilizzare aria compressa e alcool per risciacquare e asciugare i connettori, riaccoppiare i connettori e provare a eseguire di nuovo il motore.

Il mio motore non smette di funzionare

Ciò è probabilmente dovuto all'ingresso di acqua nel motore o nella batteria o a un possibile duro colpo al pacco batteria che ha causato danni ai circuiti del pacco batteria. Scollega la batteria dal motore, smetti di usare il prodotto e contatta Bixpy a: support@bixpy.com appena possibile.

ELEMENTI	DETTAGLI	RISORSA
Guide all'installazione e download (inclusi video e immagini)	Ciò include tutti gli adattatori e anche i collegamenti agli elementi di manutenzione comuni, collegamento alla sostituzione delle batterie del telecomando, alla pulizia del dispositivo, al download dei manuali dell'utente e altro ancora	www.bixpy.com/guides
Elenco degli adattatori	Trova il miglior adattatore di montaggio per il tuo specifico kayak, paddleboard o altra moto d'acqua	www.bixpy.info
Social media	Canale Youtube	www.youtube.com/bixpy
	Instagram	www.instagram.com/bixpymotors www.instagram.com/bixpybatteries
	Facebook	www.facebook.com/bixpy
	Twitter	www.twitter.com/bixpy
	Pinterest	www.pinterest.com/bixpy
Domande frequenti	Trova domande e risposte comuni sui prodotti che realizziamo	www.bixpy.com/faqs
Tutti gli adattatori Bixpy disponibili	Elenco di tutti gli adattatori che vendiamo per diverse imbarcazioni	www.bixpy.com/adapters
Risoluzione dei problemi	Scopri come risolvere i problemi comuni con i jet e gli errori degli utenti.	www.bixpy.com/trouble
Mappe del negozio	Controlla dove vendiamo Bixpy Jets	www.bixpy.com/find-a-store-near-you
Ottieni supporto	Per riparazioni, garanzia e supporto del prodotto	bixpy.com/support/



Bixpy garantisce i propri prodotti hardware contro difetti di materiale e lavorazione per un periodo di un (1) anno dalla data di acquisto originale, a condizione che l'acquisto sia stato effettuato da un rivenditore Bixpy autorizzato o direttamente da Bixpy o dal sito Web Bixpy. Questa garanzia è nulla se l'apparecchiatura viene aperta, alterata, usata in modo improprio, maltrattata, mal regolata, subisce un'usura eccessiva o viene riparata da parti non autorizzate da Bixpy LLC. Bixpy Jets sono realizzati per uso ricreativo da parte dei consumatori e non sono garantiti per uso commerciale o noleggio. La garanzia non comprende i costi di trasporto sostenuti a causa della necessità di assistenza. Bixpy si riserva il diritto di apportare modifiche al design e migliorare i suoi prodotti senza l'obbligo di installare tali miglioramenti in nessuno dei suoi prodotti precedentemente fabbricati e venduti.

PRIMA di rispedirci qualcosa, contatta il nostro servizio clienti per discutere il problema e ottenere un RMA (Return Merchandise Authorization). Ci sono limitazioni sulla spedizione di batterie agli ioni di litio e non accetteremo resi senza previo accordo. Vi preghiamo di contattarci per i dettagli su come gestire i prodotti difettosi all'indirizzo: support@bixpy.com

Non siamo attrezzati per gestire il traffico pedonale presso la nostra sede di San Diego, quindi anche se risiedi in zona, ti preghiamo di non portare il tuo prodotto nei nostri uffici a meno che tu non abbia preso accordi precedenti.



GRANDEZZA MOTORE

Larghezza lungo il corpo motore:	80 mm
Larghezza lungo l'ugello di uscita:	91,5 mm
Lunghezza:	230 mm
Altezza (incluso adattatore pinna superiore):	155 mm
Peso:	1270 grammi

POTENZA IN USCITA

Massimo. uscita utilizzando PP-378 V4:	400 watt
Equivalente di spinta:	fino a 15 kg
Movimento dell'acqua:	~500 L/min

Massimo. uscita utilizzando PP-768:	450 watt
Equivalente di spinta:	fino a 17 kg
Movimento dell'acqua:	~550 L/min

CONNETTORI:

Connettore Bixpy a 5 pin - valutato per max. Utilizzo 30V con batterie Bixpy

GRADO IP DEL MOTORE:

Classificazione IP68

GRADO DI CORROSIONE:

Tutti i componenti sono resistenti all'acqua dolce e salata



Li-ion





Bixpy®

Bixpy, Bixpy Jet e il logo Bixpy, il marchio Life Boosted sono marchi di Bixpy LLC. Diritto d'autore 2023®.

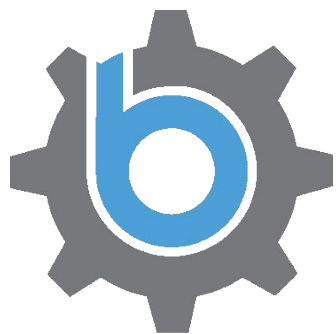
Registrazione della tua imbarcazione

In alcuni comuni, contee, stati o paesi è necessario registrare kayak, SUP o canoe motorizzati presso l'ente di licenza locale. Ad esempio, in molti stati degli Stati Uniti il Dipartimento statale dei veicoli a motore (DMV) o la Guardia Costiera richiederanno la registrazione del kayak motorizzato come imbarcazione motorizzata.

Assicurati di prendere le misure necessarie per rispettare le leggi e i regolamenti locali che si applicano alla tua imbarcazione una volta motorizzata. Negli Stati Uniti una buona risorsa per trovare maggiori informazioni è www.takemefishing.org. Ai fini della registrazione o dell'esenzione dalla registrazione in determinati luoghi, si prega di notare che i Bixpy Jet sono motori elettrici che producono meno di 10 cavalli di potenza.

Variazione del prodotto

Alcuni dei prodotti fotografati possono presentare lievi differenze rispetto ai prodotti nella confezione sia esteticamente che funzionalmente.



Bixpy
LIFE BOOSTED



K-1 モーター - 取扱説明書および安全取扱説明書



この度はBixpy製品をお買い上げいただきありがとうございます。あなたは今、世界で最も先進的で汎用性の高い携帯用個人用水推進システムを所有する冒険家の家族の一員となりました。

Bixpyの製品は、最新のモーターとバッテリー技術、そして精巧に調整された機械工学を組み合わせることで、自然との関わり方を再定義するガジェットを提供します。そのため、使い方についての学習や特別なケアが必要です。また、Bixpyデバイスの操作と状態に欠かせない、隠れた機能やトラブルシューティング情報もあります。

なので、何よりも先に、そして水に入る前に、このユーザーマニュアルを読み、Bixpyパワーパックの使用方法とお手入れ方法について理解していただきたいです。誤って使用したり、手入れを怠ると、あなたやあなたの周りの人に危険を及ぼし、保証が無効になり、あなたのデバイスが使用できなくなる可能性があります。



水上バイクのモーター/モーターとバッテリーの使用は危険であり、多くの場合、予測や回避ができない特定のリスクを伴うことがあります。これらのリスクには、人身事故や死亡事故、制御不能による物的損害、他のユーザーや水上バイクの泳者、自然物、人工物、動物や植物との衝突が含まれますが、その限りではありません。 Bixpy製品の使用を選択することで、これらのリスクを負うこととなります。したがって、これらのリスクを軽減するために、水上での安全ルール、責任ある運転、Bixpy製品の適切な使用とメンテナンスについて知り、実践する必要があります。水上のモーター駆動時に起こりうるすべての状況や状態を予測することが難しいため、 Bixpyはすべての条件下での Bixpy製品の使用と安全性について表明または保証することはできません。

Bixpy製品の購入および/または使用により、あなたは Bixpy製品および付属品の使用に伴う危険性を認識、同意、理解します。あなたは、あなた自身およびあなたの相続人、執行者、管理者、後継者、譲受人を代表して、次のことを行います。(1) Bixpy製品の使用に伴うリスクを完全に想定し、そのリスクを軽減するために、活動において最善の判断を下すことに合意してください。(2) 本書および/またはBixpyウェブサイトや関連通信で提供されているすべての安全に関する指示に厳密かつ完全に従うことを同意します。(3) Bixpy製品および/またはアクセサリーの使用に起因する人身事故、物的損害および/または死亡事故に対する請求または損失から、Bixpyのメンバー、従業員、役員、マネージャー、エージェント、転売者および代表者を **免責し、損害を与えないことに完全に自発的に放棄すること。**

お客様はさらに、(1)本免責および危険負担は、適用のある法律により許される限り広範かつ包括的であることを意図しており、その一部が無効とされた場合でも、残りの部分は完全に効力を持ち続けることを認め、同意します。(2) この危険負担および放棄は、法的権利を放棄することを認めるとともに同意し、(3) カリフォルニア民法第 1542条のもと、以下のように利用可能である利益を明示的に放棄するものとする： 一般的な権利放棄は、債権者が権利放棄を実行した時点で、債務者との和解に重大な影響を与えたと思われる、債権者が自分に有利に存在することを知らないか疑っていない請求には適用されません。

Bixpy製品の使用に起因する事故については、保険契約によって補償されない場合がありますのでご注意ください。Bixpy製品を使用する前に、保険会社に連絡し、補償内容を確認してください。

これらの条項の全てに完全に同意できない場合は、Bixpy製品を使用しないでください。



これらの警告と注意事項を読み、今後の参考のために手元に置いておいてください。 Bixpy製品の安全な操作とお手入れを怠ると、保証の喪失、物的損害、重傷または死亡につながる可能性があります。

Bixpy Jetsを使用して、自分の力で泳いだり、漕いだり、ペダルを漕いだりできる距離より遠くに行くことは絶対にしないでください。他の電子機器と同様に、期待通りにデバイスが機能しなくなる可能性があります。機能停止があなたを危険にさらすことがないことを常に確認してください。

モーターが作動を停止しないような故障の場合、できるだけ早くモーターを水中から取り出し、パワーパックから電源を抜いてください。緊急時には、自分の健康を危険にさらすよりも、デバイスを放棄する方が賢明です。

Bixpy製品を使用する際には、以下の注意事項を守ってください：

- 空気中での高速回転や長時間の運転はしないでください
- Bixpy船外機用バッテリーは、Bixpyモーターを起動するためにのみ製造されています。
- Bixpyモーターは、Bixpy船外機用バッテリーがないと起動しません。
- 薬物やアルコールの影響下で使用しないでください。
- プロペラに長い髪が入り込むことに注意
- ビックスピージェットを使用する際は、緩んだ衣服や物を身につけないようにしてください。
- 常に承認された個人用浮遊器具を着用すること
- 8歳未満のお子様には使用させないでください。
- 子どもが使用する場合は、大人の監視のもとで使用する必要があります。
- 誤った使い方は重大な傷害や死亡につながる可能性があります。
- 海水で使用した後は、必ずきれいな真水ですすいでください。
- コネクターを裸のまま水にさらさないでください - コネクターは接続したときのみ防水となります
- コネクターが接続されていない場合は、必ず付属のコネクターキャップを使用してください。
- 0°C以上45°C以下で動作・保管してください。
- Bixpy製品を洗浄する際には、刺激の強い化学薬品を使用しないでください。
- Bixpy製品に塗料やウォータースーラントを含む何かを吹き付けることは絶対にしないでください。

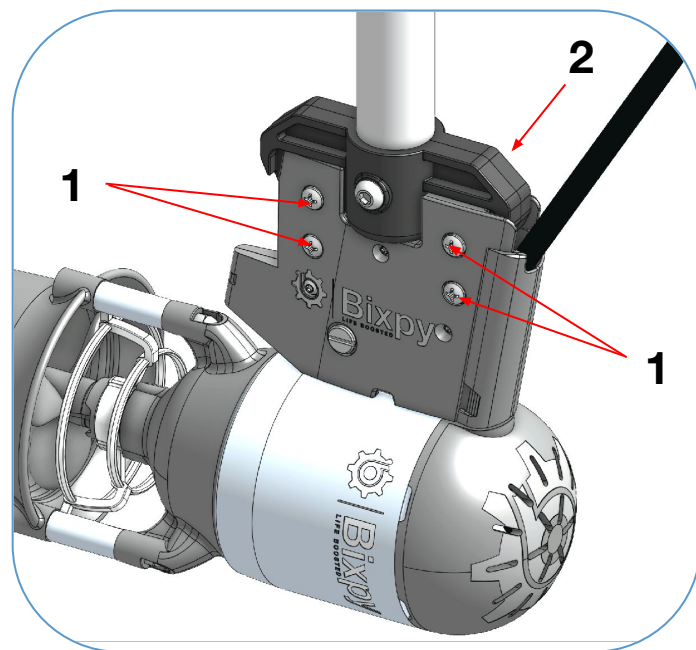
BIXPY K-1モーターをアダプターに装着する。



Bixpy K-1モーターには取り付け用の穴が4つあり、www.bixpy.com/adapters で販売されている様々な Bixpyマウンティングアダプターに取り付けるためにあります。同じアタッチメントを使用して、独自の (DIY) アダプターにモーターを装着することができます。Bixpyモーターをアダプターに固定するには、付属の M4ナットとボルトを開き、アダプターを開口部にスライドさせ、モーターの出力がアダプターの背面を向いていることを確認します。プラスドライバーを使用して、4つのナットとボルトを固定します (締めすぎないようにご注意ください)。

結束バンドと付属の Bixpyパイプクリップを使用して、電源ケーブルをアダプターに固定します (アダプターによっては必要ないものもあります) - 下記を参照してください。

Bixpyパワーパックに接続する際、ワイヤーに急激なねじれや曲がりがないことを確認してください。



付属のM4ナットとボルト(1)を使用して、BixpyモーターをBixpyアダプター(2)に固定します。

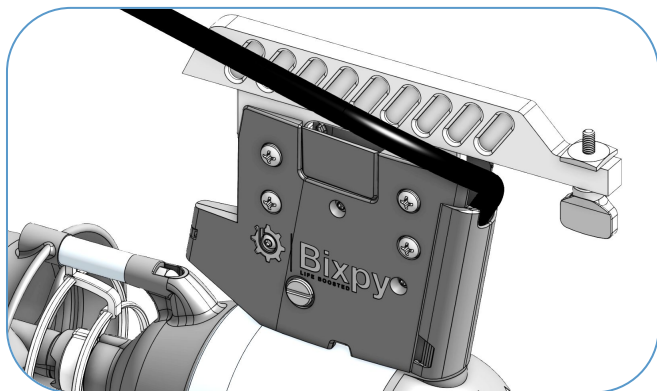
独自で(DIY)でアダプターを作る場合は、www.bixpy.info、DIYレシーバーやアダプターに独自の穴を作るためのテンプレートをダウンロードすることができます。



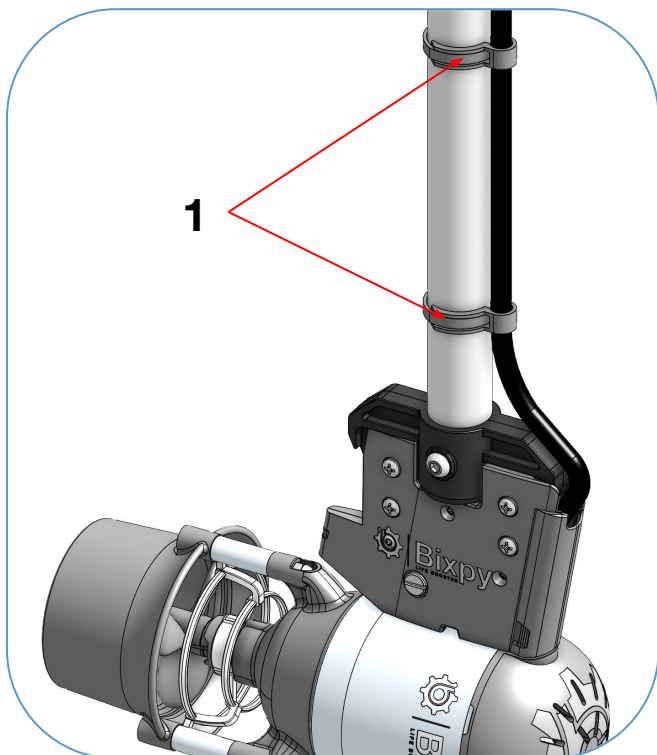
ネジやボルトを締めすぎると、アダプターや標準アタッチメントが破損することがありますので、ご注意ください。

また、お手持ちの金具を使用する場合は、腐食を防ぐため、必ず高級ステンレス製の金具を使用してください。

ケーブルがモーターからきれいに出ていることを確認し、アダプターの周りに配置します。また、ケーブルに急激な曲げを加えたり、ケーブルに手を加えたりしないでください。内部の信号線が損傷し、機器の動作に支障をきたす恐れがあります。



フィンやラダーアダプターを使用する場合は、モーターからバッテリーにケーブルを通すだけです。結束バンドやコードでワイヤーを固定し、ぶら下がったり引っかかったりしないようにします。



Bixpyアダプターを垂直パイプで使用する場合、付属のBixpyワイヤークリップ(1)と結束バンドでケーブルをアダプターパイプに固定し、アダプターパイプの上までケーブルを通してから Bixpyパワーパックに接続することができます。

Bixpy Wire Clipsの追加購入は、www.bixpy.com で可能です。



Bixpy K-1モーターは直結式なので、充電式リチウム電池を使用して静かで効率的に動作します。モーターハウジングとすべてのBixpyパワーパックは完全に密閉されており、最小限のメンテナンスしか必要ありません。清潔に保ち、使用後は真水で洗うか、水をかけてください。モーターとパワーパックは清潔に保ち、涼しい乾燥した環境で保管するのが最も効果的です。

- Bixpy Motorの前面は、ハウジング内の電子機器の水冷システムとして機能し、プラスチック製の「顔」は、衝撃の際にモーターを保護するバンパーとして機能します。吸気口を塞がないようにし、バンパーなしで操作しないでください。
- Bixpy プロペラの根元には、雑草や 草を切るための「カッティング」機構が備わっています。それでも、アマモやその他の長くて繊維状の植物が吸気口に入り込み、プロペラに巻き付いてしまうことがあります。プロペラハウジングに草や雑草が詰まっている場合は、モーターを作動させないでください。モーターが過熱し、長期的にはモーターやパワーパックを破損する可能性があります。プロペラハウジングに詰まった草やその他のゴミは、鉗子を使って取り除いてください。極端な場合、3ミリの六角レンチを使って出口を開け、プロペラハウジングを掃除することができます。万が一、プロペラを破損してしまった場合は、破損したプロペラでモーターを運転しないでください。
- あなたのジェットは、海水中で保守不要な使用を保証するために、最も高度な合金を使用しています。しかし、海水で使用した後は、真水ですすぎ洗いをするをお勧めします。
- あなたのBixpyモーターは、水の中で動くように作られています。冷却水として、またプロペラの回転数を調整するために水を使用します。空気中で動作させると、モーターやパワーパックを損傷する可能性があります。空気中で走らせないでください。
- 交換部品については、www.bixpy.com/spare-parts、またはBixpyの正規販売店へお問い合わせください。



すべてのBixpyモーター、パワーパック、および付属品は、品質管理および欠陥のない動作のために、何度も欠陥がないかチェックされ、個別に動作確認が行われています。しかし、問題が発生した場合、または内蔵の安全機能によりモーターやバッテリーが期待通りに動作しない場合は、以下の表で簡単なトラブルシューティングのヒントを提供します。その他の問題が発生した場合は、いつでもお気軽に弊社までご連絡ください。

www.bixpy.com/support

モーターは接続されているが、反応しない	コネクターがよく接続され、乾燥していることを確認してください。コネクターに水分があると、モーターが固まる原因になります。リモコンに新しい電池が入っていて、動作することを確認する。「緊急4クリック」を使ってモーターを動かしてみてください。リンクをご参照ください： www.bixpy.com/4taps
モーターが固まってるようで、荒い音がする	コネクターの接続がうまくいっていないと、水が信号線をショートさせ、モーターが不安定になることがあります。プロペラが固まったように見えることがありますが、電源を切れれば指でプロペラを回すことができるようになるはずですが、コネクターに水が入った場合は、コネクターを取り外し、圧縮空気とアルコールでコネクターを洗い、乾燥させてから、コネクターを再度取り付けてモーターを動かしてみてください。
モーターの回転が止まらない	これは、モーターやバッテリーに水が入ったか、バッテリーパックが強く衝撃を受け、バッテリーパックの回路が損傷したためと思われます。モーターからバッテリーを外し、製品の使用を中止して、できるだけ早くBixpy (support@bixpy.com) までご連絡ください。



項目	詳細	資料
インストールガイドとダウンロード (動画や画像を含む)	すべてのアダプターが含まれています。また、リモートバッテリーの交換、デバイスの清掃、ユーザーマニュアルのダウンロードなど、一般的なメンテナンス項目へのリンクも含まれています。	www.bixpy.com/guides
アダプターのリスト	カヤック、パドルボード、その他の水上バイクに最適なマウントアダプターを見つけることができます。	www.bixpy.info
ソーシャル・メディア	YouTubeチャンネル	www.youtube.com/bixpy
	インスタグラム	www.instagram.com/bixpymotors www.instagram.com/bixpybatteries
	フェイスブック	www.facebook.com/bixpy
	ツイッター	www.twitter.com/bixpy
	ピンタレスト	www.pinterest.com/bixpy
よくある質問	当社製品に関するよくある質問と回答を探す	www.bixpy.com/faqs
Bixpyの全てのアダプターが使用可能です。	弊社が販売している水上バイク用アダプター一覧	www.bixpy.com/adapters
トラブルシューティング	ジェット機でよくある問題やユーザーエラーのトラブルシューティング方法をご紹介します。	www.bixpy.com/trouble
店舗地図	Bixpy Jetsの取り扱い店舗を見る	www.bixpy.com/find-a-store-near-you
サポートを受ける	修理・保証・製品サポートについて	www.bixpy.com/support/



Bixpyは、Bixpyの正規販売店から、または BixpyもしくはBixpyのウェブサイトから直接購入した場合、最初の購入日から1年間、ハードウェア製品の素材および製造上の欠陥に対して保証を提供します。この保証は、機器が開封、変更、誤用、誤った取り扱い、不適正な調整、過度の摩耗を受けた場合、または Bixpy LLCによって認可されていない第三者によって修理された場合は無効です。Bixpy Jetsはレクリエーションのための消費者用として作られたものであり、商業用またはレンタル用として保証されるものではありません。保証には、修理が必要なために発生した交通費は含まれません。Bixpyは、過去に製造・販売された製品にこれらの改良を加える義務を負うことなく、設計を変更し、製品を改良する権利を有します。保証サービス、または除外と制限の完全なリストを含むBixpyの保証方針のコピーについては、Bixpy LLC(1-866-249-7910)にお問い合わせください。

ご返送いただく前に、必ず弊社カスタマーサービスまでご連絡ください。リチウムイオン電池の発送には制限があり、事前の手配がない場合は返品をお受けできません。不良品への対処方法については、support@bixpy.com までお問い合わせください。

サンディエゴにある本社では、ウォークインに対応するための設備が整っていませんので、お近くの方でも、事前の手配がない限り、製品をオフィスまで持ち込まないようお願いします。



モーターサイズ

モーターボディに沿った幅：	80mm
出力ノズルに沿った幅：	91.5 mm
長さ：	230mm
高さ(トップフィンアダプターを含む)：	160 mm
重量：	1270 グラム

電力出力

PP-378 V4使用時の最大出力：	400ワット
推力相当：	最大 15 kg
水の動き：	~500 L/分

PP-768使用時の最大出力：	450 watts
推力相当：	最大 17 kg
水の動き：	~550 L/分

コネクタ： Bixpy 5ピンコネクタ - 最大定格。Bixpyバッテリーで30V使用可能

モーターIP定格： IP68定格

腐食評価： すべての部品は淡水および海水に対する耐腐食性を有する



Li-ion





Bixpy®

Bixpy、Bixpy JetおよびBixpyロゴ、Life Boostedブランドは、Bixpy LLCの商標です。著作権 2023®.

船舶の登録

自治体、郡、州、国によっては、電動式カヤック、SUP、カヌーを地元の免許機関に登録することが義務付けられている場合があります。例えば、アメリカ合衆国の多くの州では、州自動車局 (DMV) または沿岸警備隊が、モーターライズドカヤックをモーターライズド船舶として登録することを要求します。原動機付きカヤックに適用される現地の法律や規制を遵守するために必要な手順を踏むようにしてください。アメリカ合衆国では、より多くの情報を得るための良い資料として、www.takemefishing.org。Bixpy Jetsは、10馬力以下の電気モーターであることに留意してください(特定の場所での登録または登録の免除)。

製品仕様の変化

撮影された商品の中には、パッケージの商品と外観上、機能上、若干の違いがある場合があります。