



Bixpy
LIFE BOOSTED

Bixpy Hobie® Pro Angler™ Adapter

1

Replace your rudder cover with the Bixpy Rudder cover with ball mount



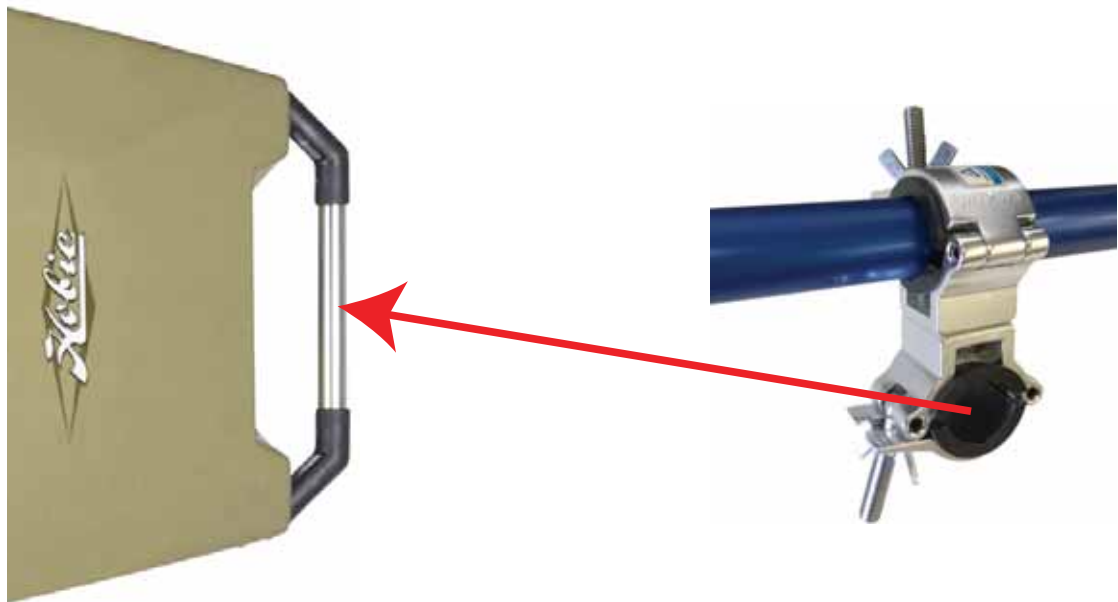
2

Attach your horizontal pipe using the mount clamp
DO NOT OVERTIGHTEN the four screws!



3

Use the provided pipe clamp to secure the horizontal pipe to the H-Rail on the back of your Hobie® Pro Angler. Adjust and move as necessary to get the best fit possible.



VIDEO: www.bixpy.com/po-assembly



4

Assemble your adapter

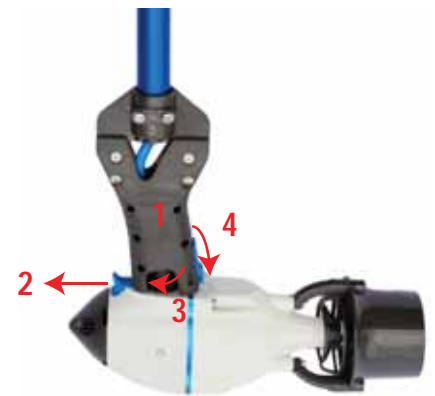
1. Use the two knurled bolts to assemble the vertical and horizontal assemblies together
2. Since you will use your Hobie® rudder for steering, you can lock your vertical pipe and prevent turning. Use the provided threaded screws to lock down your vertical pipe. You will need to drill a 1/8" hole into the aluminum pipe. See step 6 for height adjustment BEFORE drilling your holes.
3. Take special care to make sure you do not damage your power cord when drilling your pipe. DO NOT DRILL THROUGH!!!



5

Attach your Bixpy adapter to your Bixpy Jet

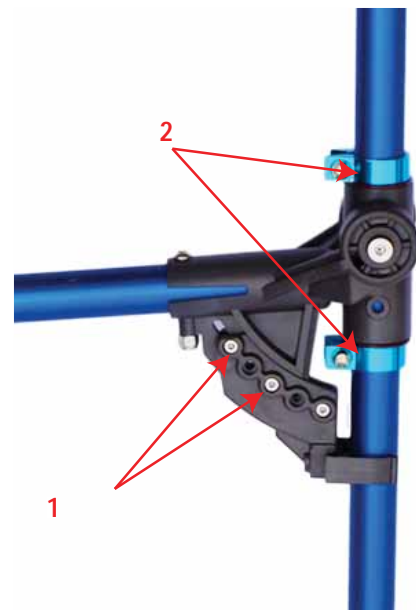
1. Align connector pins
2. Pull nose latch forward to allow metal toe to sit flush
3. Attach power cord (turn 180° and "click" closed)
4. Close rear spring latch



6

Adjust your tilt and height

1. Adjust your tilt using the five holes provided
2. Use the pipe clamps to adjust the height of your motor. The top of your motor should be about 3" below water.
3. If you set your motor too low, it will not lift out of water when you pull your motor lift cord. Adjust the height with your kayak loaded.





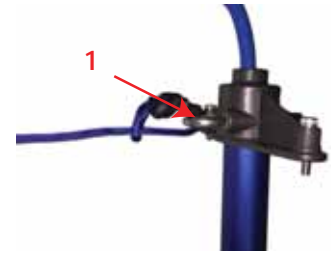
Bixpy
LIFE BOOSTED

Bixpy Hobie® Pro Angler™ Adapter

7

Pulling up your motor

1. Use the provided “pull-cord” and secure it through the eye loop
2. Secure the provided clam cleat on your vessel ensuring that it is within reach of yourself and the pull-cord.
3. If and when you need to pull your motor out of water, give the pull-cord a tug and lock down using the clam cleat.



8

Connect your battery

1. Run your power cable to your battery output connector
2. Attached power cord (turn 180° and “click” closed)
3. Secure battery on board in a safe and secure manner
4. If you need, extension cords are available at: www.bixpy.com



9

Turn on your system and have fun!

1. Use your magnetic kill switch to turn on your system
2. Use your Bixpy remote to run your motor (forward/reverse/stop)
3. Use your Hobie® rudder to steer you kayak as normal
4. Have fun on the water and be safe!



Motorizing your personal craft may require you to register your craft. Please check your local rules and regulations. Further information at: www.bixpy.com. Always wear a life jacket when on water and carry your paddle with you at all times. NEVER motor further than you can paddle back under your own power. Always consider that malfunctions with your equipment can happen and ensure you can get back safely in case of such malfunctions. You MUST read your motor and battery user manual prior to using Bixpy products and agree to all the conditions. Respect others and wildlife at all times - on and off water.

VIDEO: www.bixpy.com/po-assembly