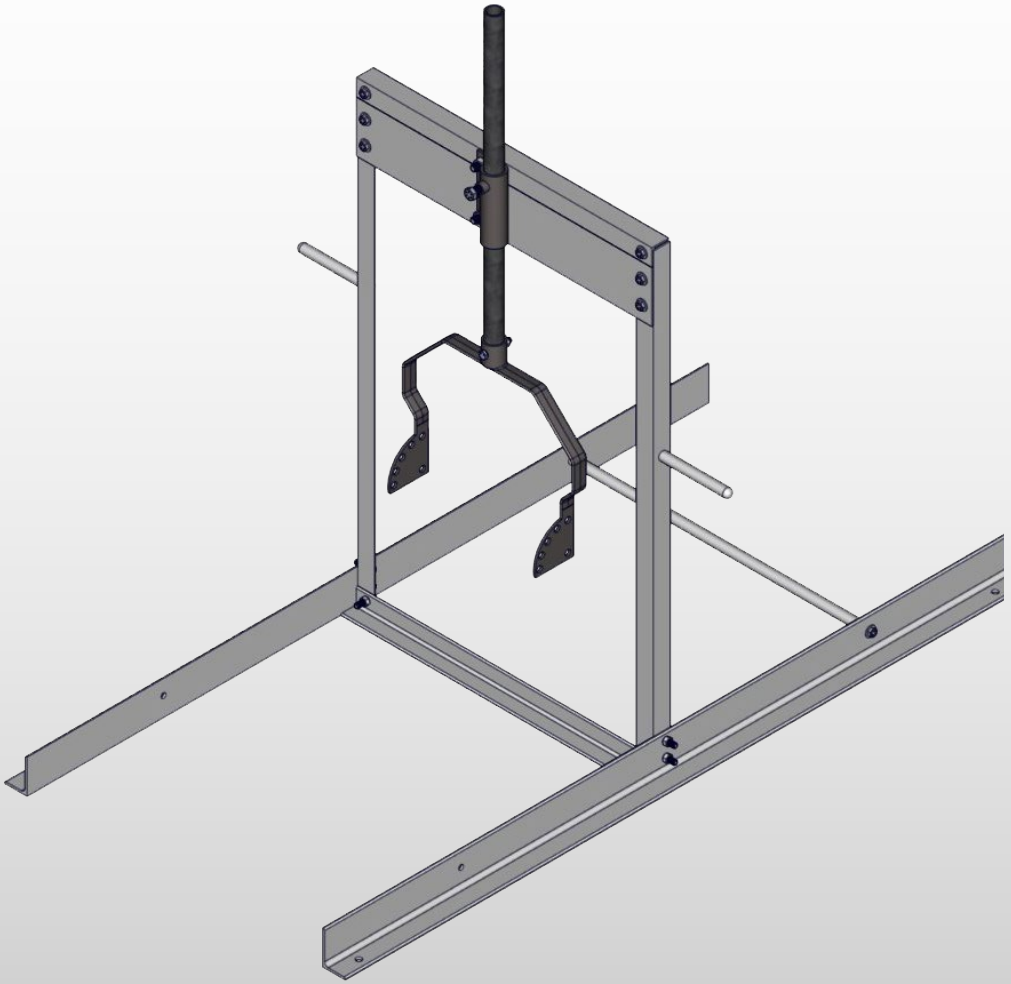




# BEARON AQUATICS

ICE EATERS | OLYMPUS FOUNTAINS | POWER HOUSE AERATION

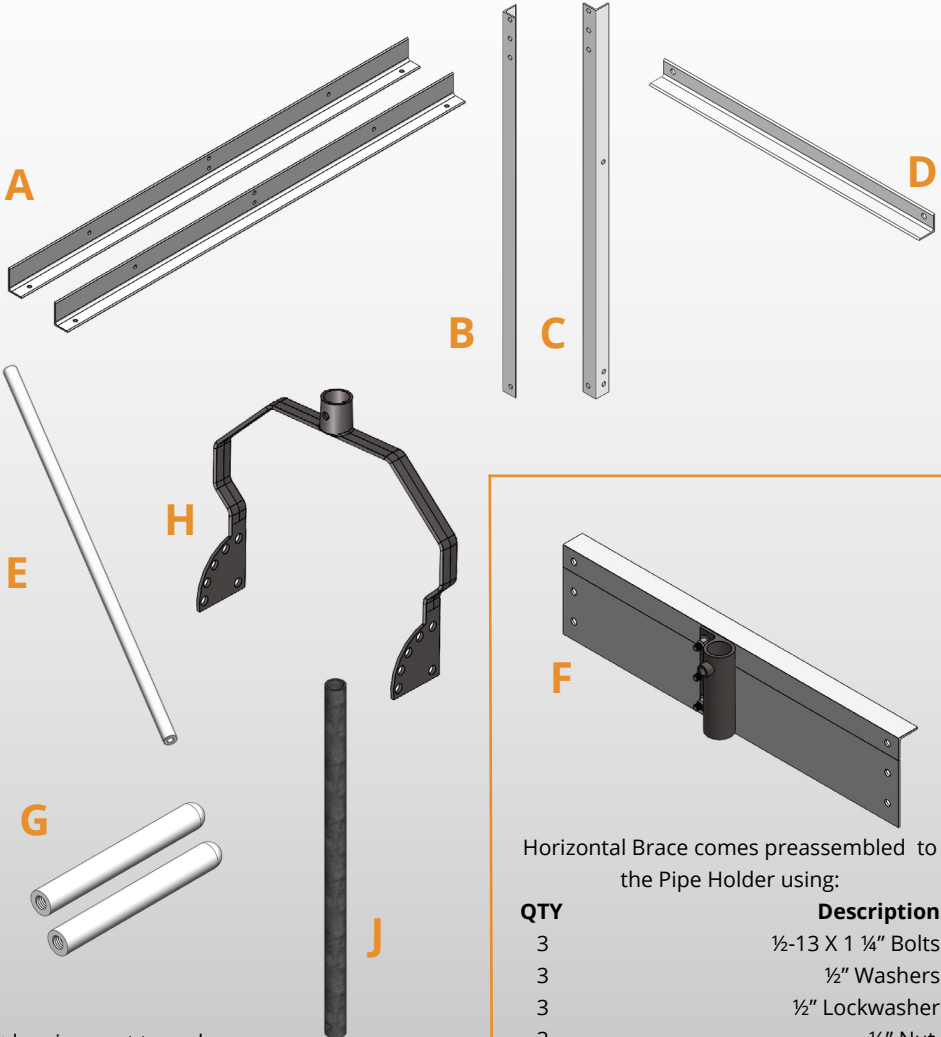
## Shallow Water Stand | Assembly Instructions



# Parts

## STAND PIECES

QTY	DESCRIPTION
A	2 Foot (angle): 2" x 3" x 60"
B	1 Left Vertical Bar (angle): 1 1/2" x 1 1/2" x 40"
C	1 Right Vertical Bar (angle): 1 1/2" x 1 1/2" x 40"
D	1 Bottom Horizontal Bar (angle): 1 1/2" x 1 1/2" x 26"
E	1 Support Bar: 0.75" diameter; 26"
F	1 Horizontal Brace
G	2 Handle
H	1 Bail
J	1 Pipe: 1" diameter; 26 1/2"



## HARDWARE

QTY	DESCRIPTION
1	1/2-13 x 1 1/4" Bolt
1	3/8-16 x 2 1/4" Bolt
16	3/8-16 x 1" Bolt
14	3/8" Nut
28	3/8" Flat Washer
16	3/8" Lockwashers

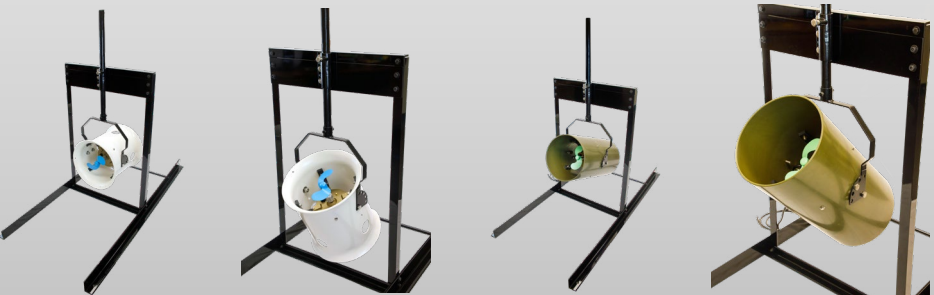
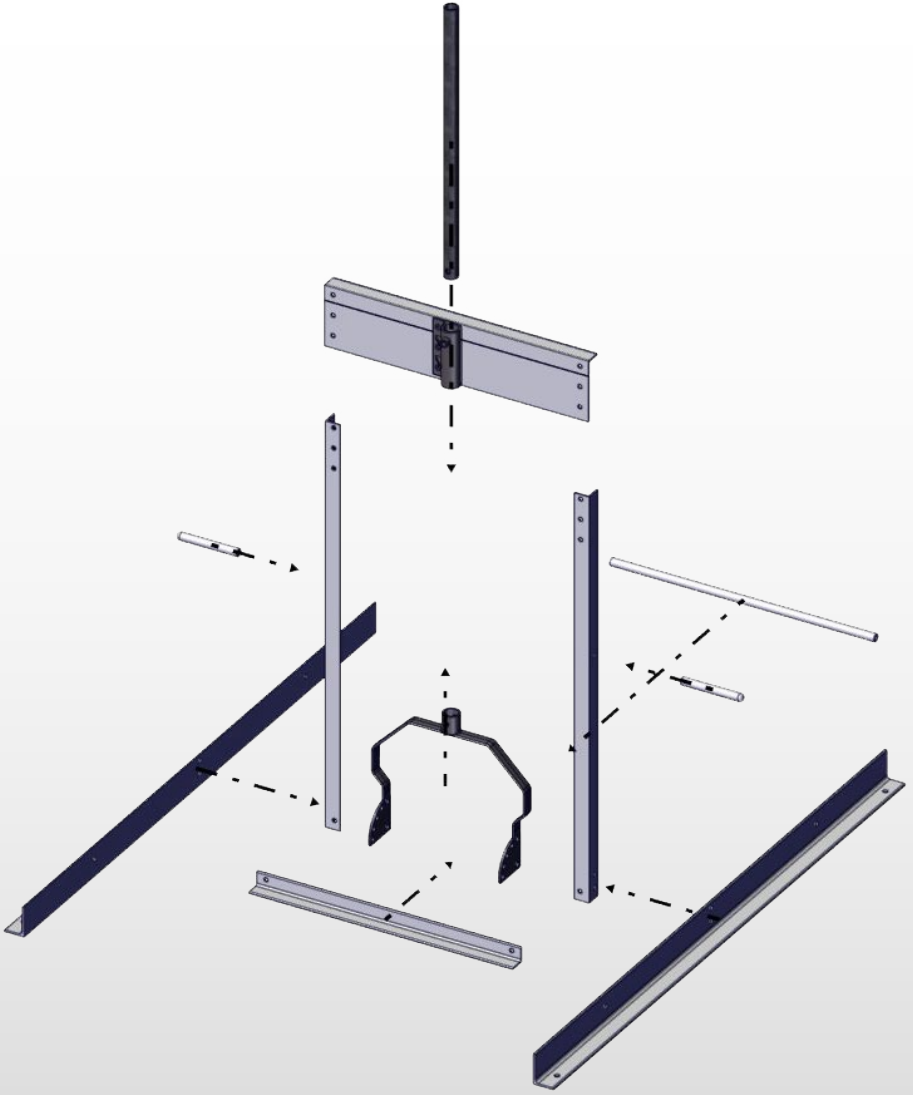
Horizontal Brace comes preassembled to the Pipe Holder using:

QTY	Description
3	1/2-13 X 1 1/4" Bolts
3	1/2" Washers
3	1/2" Lockwasher
3	1/2" Nut

\*drawings not to scale

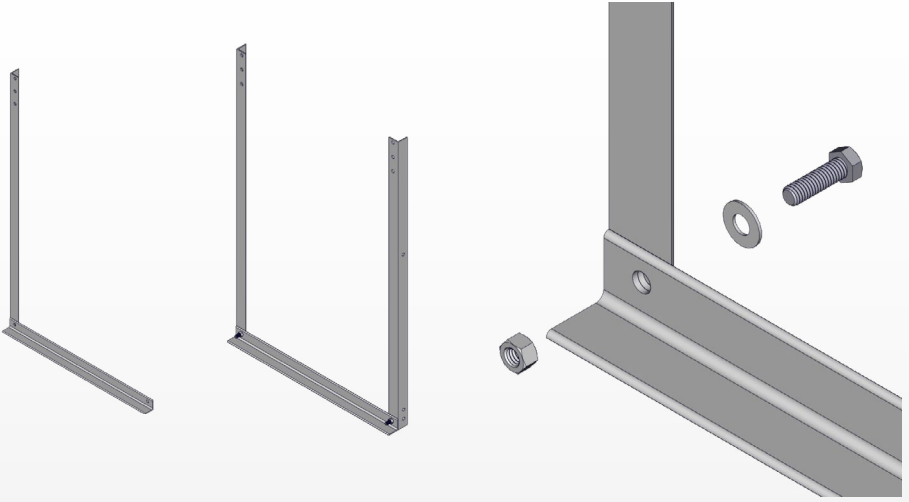
\*(2) 3/16" wrenches for assembly (not included)

# Frame



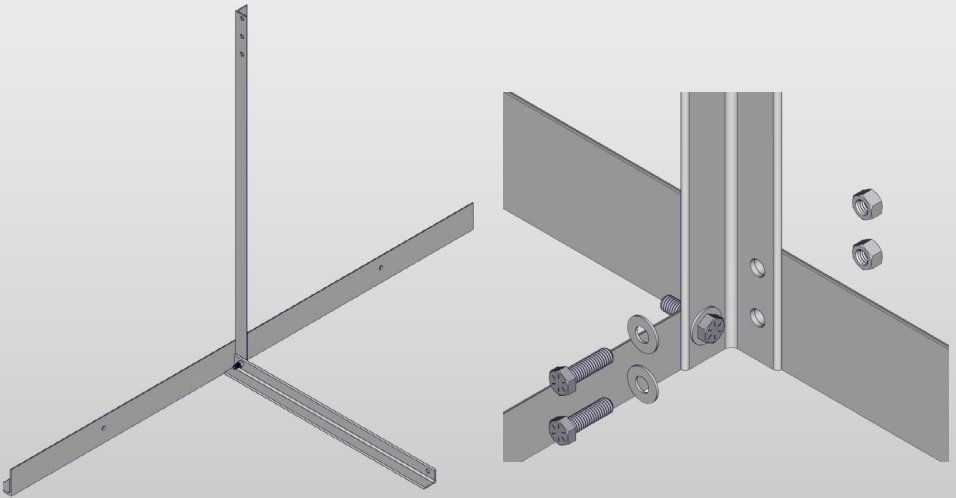
## Step One:

Attach the Bottom Horizontal Bar (D) to the Left Vertical Bar (B) and Right Vertical Bar (C) with  $\frac{3}{8}$ "-16 x 1" bolts, washers & nuts.



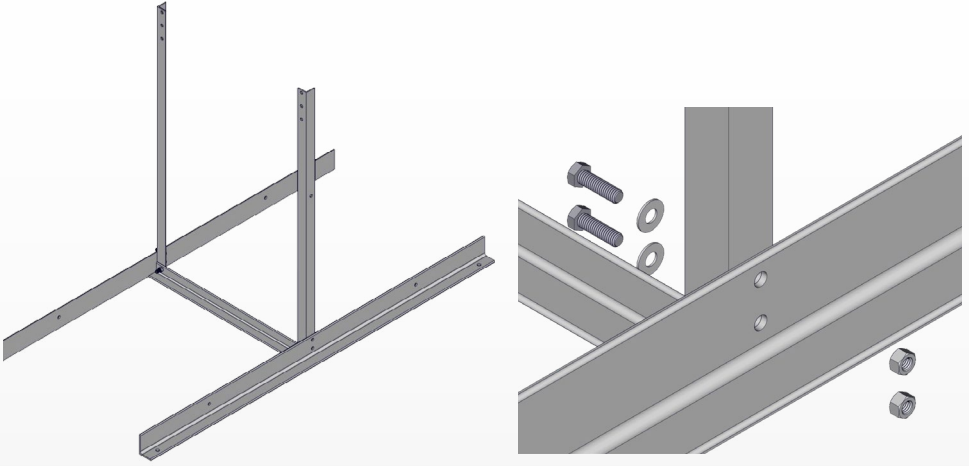
## Step Two:

Attach Foot (A) with  $\frac{3}{8}$ "-16 x 1" bolts, washers & nuts.



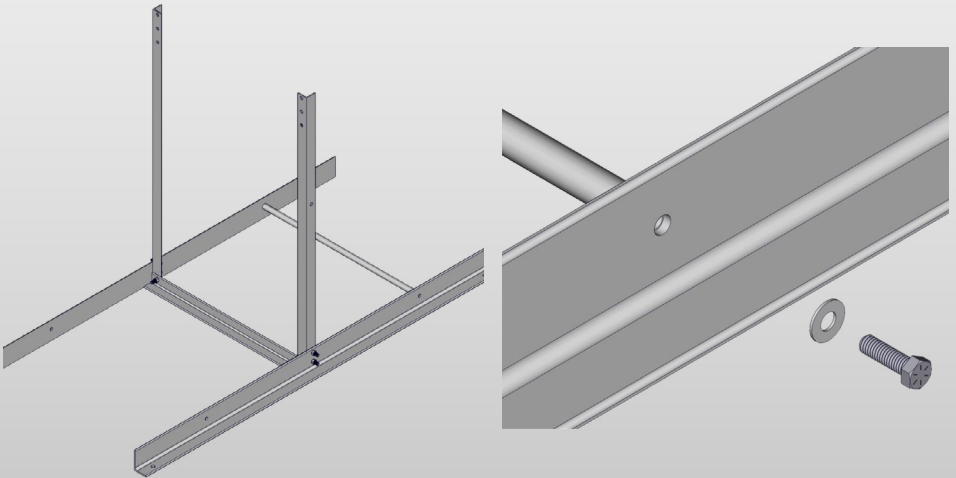
## Step Three:

Attach Foot (A) with  $\frac{3}{8}$ "-16 x 1" bolts, washers & nuts.



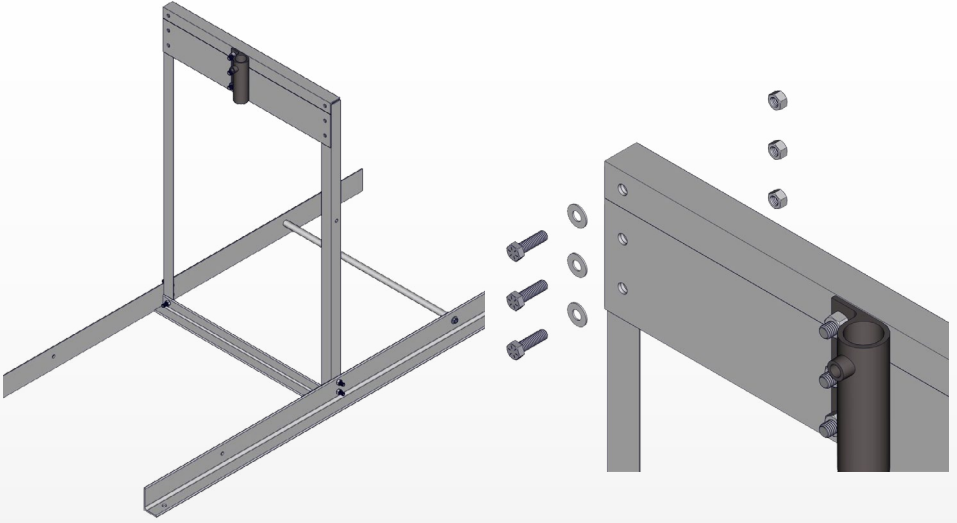
## Step Four:

Attach Support Bar (E) to the Left and Right Feet with  $\frac{3}{8}$ "-16 x 1" bolts & washers.



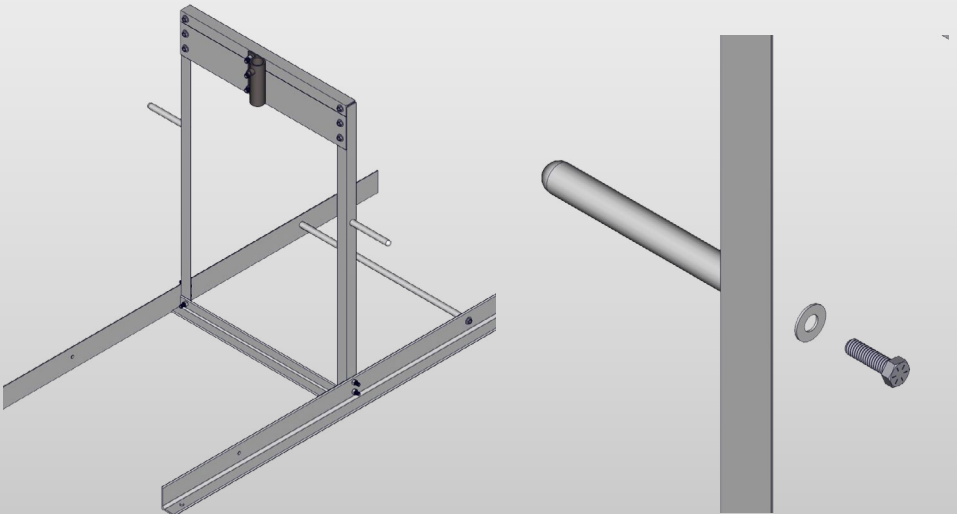
## Step Five:

Attach Horizontal Brace (F) to the Left Vertical Bar (B) and Right Vertical Bar (C) with  $\frac{3}{8}$ "-16 x 1" bolts, washers & nuts.



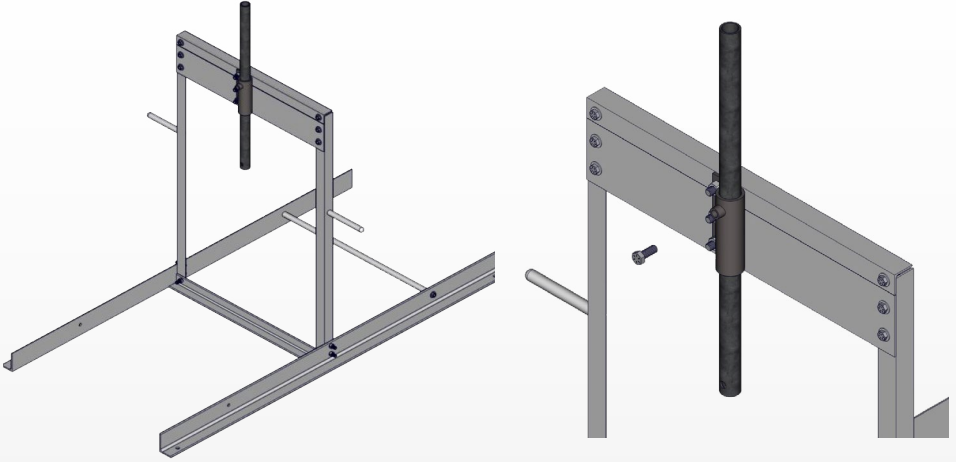
## Step Six:

Attach Handles (G) to the Left and Right Vertical Bars with  $\frac{3}{8}$ "-16 x 1" bolts & washers.



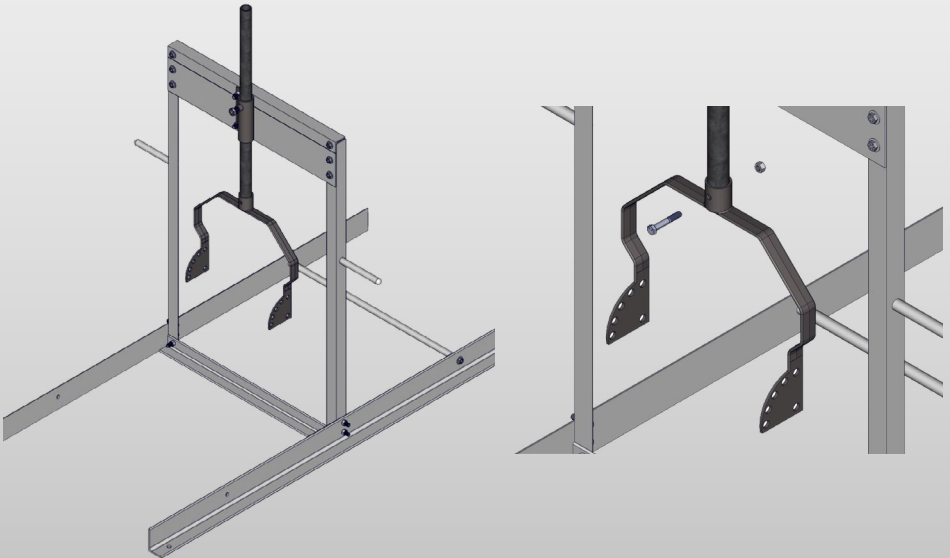
## Step Seven:

Slide Pipe (J) into Horizontal Brace (F) and secure with the  $\frac{1}{2}$ "-13 x 1  $\frac{1}{4}$ " Bolt.



## Step Eight:

- Slide Bail (H) onto pipe (J), aligning the holes.
- Attach Bail (H) into Pipe (J), with a  $\frac{3}{8}$ "-16 x 2  $\frac{1}{4}$ " bolt and nut.





**BEARON AQUATICS**

ICE EATERS | OLYMPUS FOUNTAINS | POWER HOUSE AERATION

**WARNING:** This product contains lead, a chemical known to the State of California to cause cancer and birth defects or other reproductive harm.

---

10233 SOUTH DOLFIELD RD • OWINGS MILLS, MARYLAND 21117  
410-654-9700 • [aquaticsinfo@bearonmfg.com](mailto:aquaticsinfo@bearonmfg.com)