

1/4 HP RP25, 74R PISTON COMPRESSOR

Used in Systems: AM30 & PS10

INDICATORS:

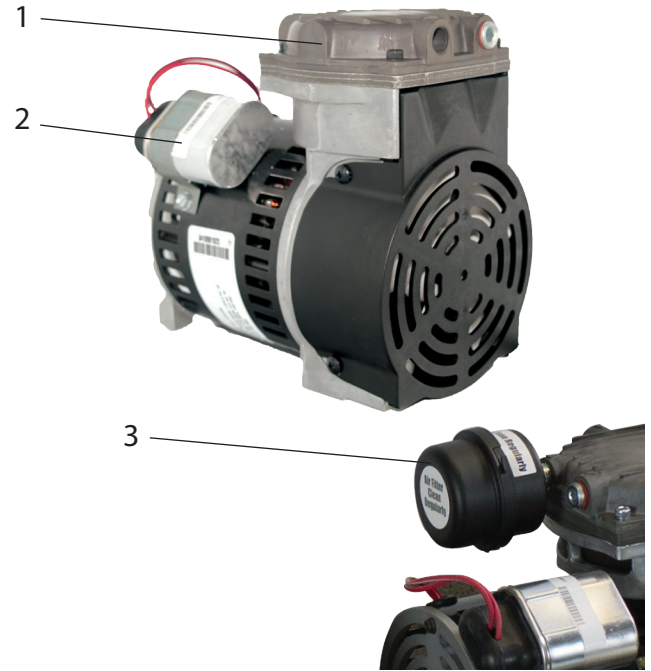
- Single piston
- Grey valve plate (1)
- Capacitor (2) stadium shaped, rounded rectangle
- White compressor label will indicate HP: 1/4
- Air Filter (3) mounted horizontally, not on an angle

MAINTENANCE NEEDED KIT:

510108- RP25 1/4 HP, 74R

UPGRADE KIT TO NEW 87R 1/4 COMPRESSOR:

510440- 115 Volt, PS10 & AM30
 510441- 230 Volt, PS10 & AM30



1/4 HP RP25, 87R PISTON COMPRESSOR

Used in Systems: SW20HP & PS10

INDICATORS:

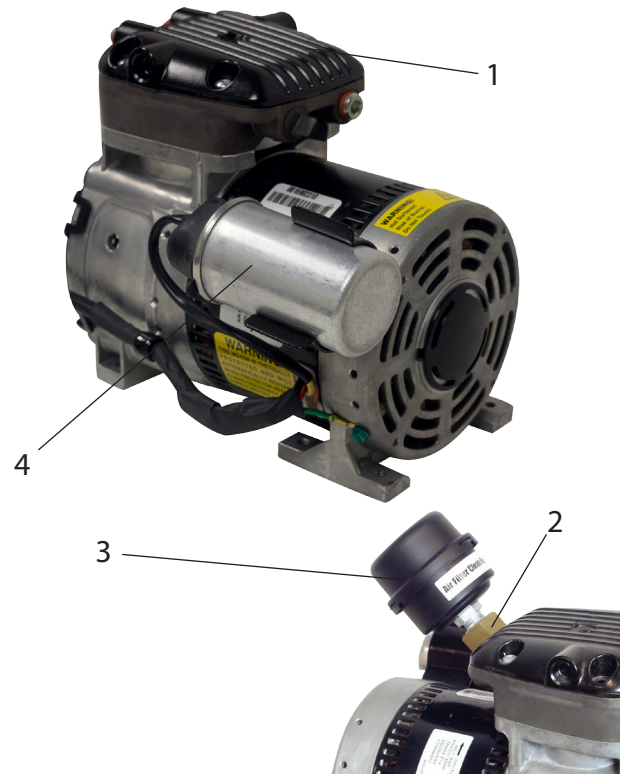
- Single Piston
- Black-glossy valve plates (1) have horizontal grooves and slight angle downwards
- Brass adapter (2) allows 45° angle for air filter (3)
- Cylinder shaped capacitor (4)
- White compressor label will indicate HP: 1/4

MAINTENANCE NEEDED KIT:

510510- RP25 1/4, 87R

UPGRADE KIT TO NEW 87R 1/4 COMPRESSOR:

510440- 115 Volt, PS10 & AM30
 510441- 230 Volt, PS10 & AM30
 510442- 115 Volt, SW20HP
 510443- 230 Volt, SW20HP



1/3 RP33, 71R HP DUAL PISTON COMPRESSOR

Used in Systems: AM60, AM70, AM80 & AM100

INDICATORS:

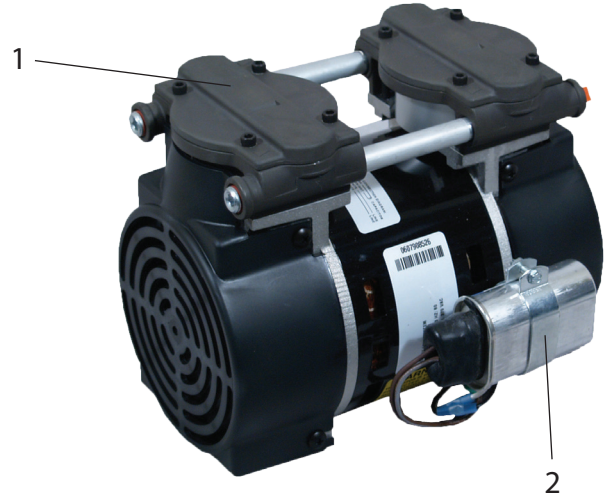
- Dual Piston
- Black valve plates (1)
- Airmax System- Gold manifold
- Capacitor (2) stadium shaped, rounded rectangle
- White compressor label will indicate HP: 1/3

MAINTENANCE NEEDED KIT:

510109- RP33 1/3 HP, 71R

UPGRADE KIT TO NEW 87R COMPRESSOR, 1/2 HP COMPRESSOR:

- 510479- 115 Volt, PS20, AM60 & AM80
- 510480- 230 Volt, PS20, AM60 & AM80
- 510481- 115 Volt, PS30, AM70 & AM100
- 510482- 230 Volt, PS30, AM70 & AM100



1/3 HP RP33, 82R DUAL PISTON COMPRESSOR

Used in Systems: AM60, AM70, AM80, AM100, PS20, PS30 & LS10

INDICATORS:

- Dual piston
- Grey valve plates (1)
- Airmax System- Blue manifold
- Capacitor (2) stadium shaped, rounded rectangle
- White compressor label will indicate HP: 1/3

MAINTENANCE NEEDED KIT:

510111- RP33 1/3 HP, 82R

UPGRADE KIT TO NEW 87R COMPRESSOR, 1/2 HP COMPRESSOR:

- 510479- 115 Volt, AM60, AM80 & PS20
- 510480- 230 Volt, AM60, AM80 & PS20
- 510481- 115 Volt, AM70, AM100 & PS30
- 510482- 230 Volt, AM70, AM100 & PS30
- 510207- 115 Volt, LS10
- 510222- 230 Volt, LS10



½ HP RP50, 72R DUAL PISTON COMPRESSOR

Used in Systems: PS40, LS20, LS30, LS40 & LS60

INDICATORS:

- Dual Piston
- Airmax System- Blue manifold
- Silver tubes (1) running between valve plates
- Black valve plates (2)
- Capacitor (3) stadium shaped, rounded rectangle
- White compressor label will indicate HP: ½

MAINTENANCE KIT:

510115- RP50 72R ½ HP, 72R

UPGRADE KIT TO NEW 87R ½ HP COMPRESSOR:

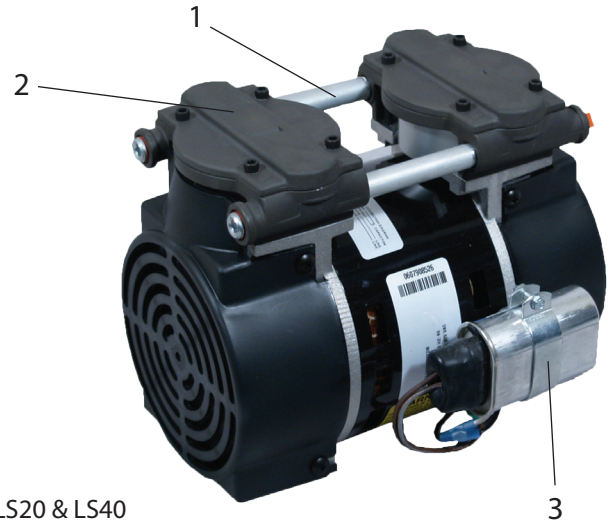
510208- 115 Volt, LS20 & LS40
 510209- 115 Volt, LS30

510223- 230 Volt, LS20 & LS40
 510224- 230 Volt, LS30

UPGRADE KIT TO NEW 72R ¾ HP COMPRESSOR:

510494- 115 Volt, PS40
 510496- 115 Volt, LS30 & LS60

510495- 230 Volt, PS40
 510497- 230 Volt, LS30 & LS60



½ HP RP50, 87R DUAL PISTON COMPRESSOR

Used in Systems: SW40HP, PS20, PS30 & LS40

INDICATORS:

- Dual Piston
- Airmax System- Blue Manifold
- Black-glossy valve plates (1) have horizontal groves and slight angle downwards
- Cylinder shaped capacitor (2)
- White compressor label will indicate HP: ½

MAINTENANCE NEEDED KIT:

510511- RP50 ½ HP, 87R

UPGRADE KIT TO NEW 87R ½ HP COMPRESSOR:

510208- 115 Volt, LS20 & LS40
 510209- 115 Volt, LS30
 510206- 115 Volt, SW40HP

510223- 230 Volt, LS20 & LS40
 510224- 230 Volt, LS30
 510221- 230 Volt, SW40HP



¾ HP RP75, 72R DUAL PISTON COMPRESSOR

Used in Systems: PS40, PS80 & LS60

INDICATORS:

- Dual Piston
- Airmax System- Blue manifold w/3 or 4 valves
- All black motor
- Silver tubes running between valve plates (1)
- Cylinder shaped capacitor (2)
- White compressor label will indicate HP: ¾

MAINTENANCE NEEDED KIT:

510512- RP75 ¾ HP, 72R

UPGRADE KIT TO NEW 72R ¾ HP COMPRESSOR:

510494- 115 Volt, PS40 & PS80

510496- 115 Volt, LS30 & LS60

510495- 230 Volt, PS40 & PS80

510497- 230 Volt, LS30 & LS60

