

Owners Manual

Product Code: 1894T

**MADE FOR THE
TRADE**

TQ TRADEQUIP
the trusted brand in equipment

ENGINE STAND

Specifications:

- Safe Working Capacity: 500kg
- Gearbox Ratio: 40:1
- Height: 1230mm
- Width: 850mm
- Length: 1190mm
- Castor Dia: 90mm
- Distance between legs: 680mm
- Lower steel tubing: 60 x 60mm
- Column tubing: 70 x 70mm
- Nett Weight: 54kg
- Carton 1 of 2: 1195 x 860 x 70mm (Weight: 17kg)
- Carton 2 of 2: 1120 x 270 x 230mm (Weight: 45kg)



About the TradeQuip brand

The 'TradeQuip' brand of workshop equipment, is designed for use in a demanding workshop environment by professional users. With proven and trusted "Made for the Trade" reliability, 'TradeQuip' branded products offer the very best in performance for an affordable price. All backed by a 1 year trade guarantee across 1,000+ distributors Australia wide.

TQ TRADEQUIP
the trusted brand in equipment

TQPRO
Trusted by serious professionals

BORUM
INDUSTRIAL WORKSHOP EQUIPMENT

WARNING

IMPORTANT: READ ALL INSTRUCTIONS BEFORE USE



WARNING

The instructions and warnings contained in this manual should be read and understood before using or operating this equipment. Do not allow anyone to use or operate this equipment until they have read this manual and have developed a thorough understanding of how this equipment works. Failure to observe any of the instructions contained in the manual could result in severe personal injury to the user or bystanders, or cause damage to the equipment and property. Keep this manual in a convenient and safe place for future reference.

Whilst every effort has been made to ensure accuracy of information contained in this manual, the TQB Brands Pty Ltd policy of continuous improvement determines the right to make modifications without prior warning.

CONTENT

WARNING..... 2

CONTENT..... 2

STANDARD OPERATING PROCEDURE 3

ASSEMBLY, OPERATION, PREVENTITIVE MAINTENANCE 4

PARTS DIAGRAM 6

PARTS LIST..... 6

WARRANTY 7

STANDARD OPERATING PROCEDURE

DO NOT use this machine unless you have been trained and assessed to a competent level in its safe use and operation, and have been given permission to use this



Safety glasses must be worn when operating this equipment



Long loose hair must be contained when operating this equipment



Safety footwear must be worn when operating this equipment



Close fitting/protective clothing must be worn when operating this equipment



Rings and jewellery must not be worn when operating this equipment

WARNING

ENGINE DIMENSIONS MUST BE WITHIN LEGS OF ENGINE STAND

PRE-OPERATIONAL SAFETY CHECKS

Save these instructions. For your safety, read, understand, and follow the information provided.

- Before using the engine stand ensure it is in sound condition, and good working order.
- Replace or repair damaged parts. *Use recommended parts only. Non-authorized parts may be dangerous and will invalidate the warranty.*
- Keep the stand clean for best and safest performance.
- Locate the stand in an adequate working area for its function, keep area clean and tidy and free from unrelated materials, and ensure there is adequate lighting.
- Use on a firm, level surface capable of sustaining the stand and the load.
- Maintain correct balance and footing. Ensure the floor is not slippery and wear non-slip shoes.
- Ensure all non-essential persons keep a safe distance whilst the stand is in use.
- Lock mounting plate in position before fixing a load, and ensure the load is centred and securely mounted on the locking plate.
- Ensure the Stand and the load is stable.
- To move a loaded stand, push it from the load side, above the two fixed wheels. **DO NOT** move the stand from the castor end and never pull the stand towards yourself. Also ensure surface over which the stand is to travel is strong enough to take the stand load and that it is not cracked, uneven or obstructed.
- **DO NOT** operate unit if damaged.
- **DO NOT** allow untrained persons to operate the stand.
- **DO NOT** exceed the rated capacity of 500kg.
- **DANGER:** *DO NOT work under an engine mounted on the stand.*

INTENDED USE

For safe handling and positioning of most 4 and 6 cylinder passenger car engines during dismantling and re-assembly.

ASSEMBLY, OPERATION, PREVENTITIVE MAINTENANCE**1. FEATURES**

The Tradequip 1894T Engine Stand accepts a wide variety of engines and transmissions. The head easily swivels 360° via the 40:1 ratio gear box for convenient accessibility to all parts of the engine. It has fully adjustable mounting arms and heavy duty swivel castors provide excellent manoeuvrability.

2. ASSEMBLY

1. Assemble all parts and check to see you can identify each part
2. Attach Column (2) to Base (1) using Bolt (15), Washer (17) and Nut (16)
3. Secure Support (20) to the Base (1) using Bolt (25), Washer (26) and Nut (27) and Column (2) using Bolt (21), Washer (22) and Nut (23)
4. Mount Gearbox Bracket (11) to Column (2) using Bolt (8), Washer (9) and Nut (10)
5. Attach Gearbox (4) to Gearbox Bracket (11) using Bolt (12), Washer (13) and Nut (14)
6. Mount Turntable (3) through Column (2) and onto the Gearbox (4) using Nut (18)
7. Loosely attach Fingers (1) to Turntable (2) using Bolt (12) and Washer (13)
8. Attach Handle (19) to the Gearbox (4) on the side of the gearbox using Bolt (23), Washer (22) and Flat Washer (21)

3. BEFORE USE

Prior to each use always conduct a visual inspection by checking for abnormal conditions, such as cracked joints and damaged, loose, or missing parts.

BEFORE USING THIS DEVICE, READ THIS MANUAL COMPLETELY AND THOROUGHLY, UNDERSTAND ITS OPERATING PROCEDURES, SAFETY WARNINGS AND MAINTENANCE REQUIREMENTS. FAILURE TO DO SO COULD CAUSE ACCIDENTS RESULTING IN SERIOUS OR FATAL PERSONAL INJURY AND/OR PROPERTY DAMAGE.

The use of portable engine stands is subject to certain hazards that cannot be prevented by mechanical means, but only by the exercise of intelligence, care, and common sense. It is therefore essential to have owners and personnel involved in the use and operation of equipment who are careful, competent, trained, and qualified in the safe operation of the equipment and its proper use. Examples of hazards are dropping, tipping, or slipping of motor vehicles or their components caused primarily by improperly securing loads, overloading, off-centre loads, use on other than hard level surfaces, and using equipment for a purpose for which it was not designed. It is the responsibility of the owner to make sure all personnel read this manual prior to using this device. It is also the responsibility of the device owner to keep this manual intact and in a convenient location for all to see and read. If the manual is lost or not legible, contact TQB Brands Pty Ltd for a free replacement.

4. OPERATING THE ENGINE STAND

1. Consult the vehicle or engine manufacturer for the engine's centre of gravity. The engine's centre of gravity will have to be aligned with the rotational axis of the engine stand's mounting head assembly.
2. Remove the clutch bell housing from the engine and secure any other engine parts that might be loose or hanging from the engine.
3. Remove the adjustment knob from the side of the engine stand and extend the "T" base so that it is about 150mm farther than the engine when the engine is mounted to the stand. Fasten the four engine adaptor fingers to the engine using the proper bolt thread size and length. Remember to use grade 5, metric 8.8 bolts or better. Do not tighten the bolts.
4. Align the rotational axis of the mounting plate assembly as close as possible to the engine's centre of gravity. Tighten the four bolts that secure the engine adaptor arms to the engine and the bolts, flat washers and nuts that connect the other end of the engine adaptor arms to the mounting plate assembly.
5. Attach an engine lifting bar or sling to the engine and raise the engine with a workshop crane or lifting device with a load capacity that can adequately handle the engine weight. Once the engine is lifted to the desired height, slowly push the engine with the mounting plate assembly pointing toward the drive shaft of the engine stand. Insert the stand's drive shaft into the receiver on the mounting plate. Turn the stand's gear box handle wheel until the threaded holes in the drive shaft align with the holes in the mounting plate receiver. Once aligned, secure with the bolts and lock washers provided.
6. Make sure the setup is stable and then, slowly and carefully remove the workshop crane or engine lifting device.

REMOVING ENGINES

1. Attach an engine lifting bar or sling to the engine. Connect the bar or sling to a workshop crane or lifting device and slowly lift the engine just enough to take pressure off the engine stand.
2. Remove the bolts and lock washers that secure the mounting plate to the stand's drive shaft. Slide the drive shaft out of the mounting plate receiver and slowly and carefully manoeuvre the engine away from the stand.
3. Unscrew the four bolts that secure the adapter arms to the engine.

5. STORAGE

This Engine Stand should always be stored in a dry location on a level surface.

6. MAINTENANCE

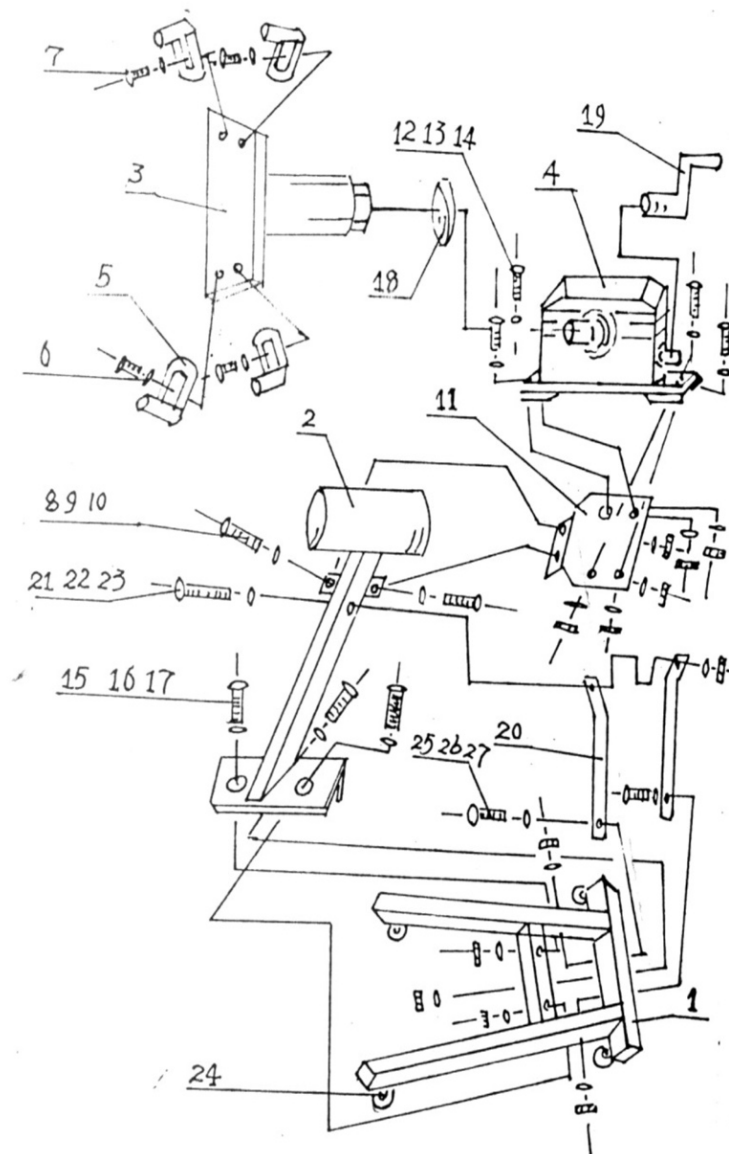
Replace or repair damaged parts. Use recommended parts only. Non-authorized parts may be dangerous and will invalidate the warranty.

Keep the stand clean for best and safest performance.

7. SERVICE & REPAIR

Any Engine Stand found damaged in any way, or found to be worn or operates abnormally should be removed from service until repaired by an authorised service agent. Owners and / or operators should be aware that repair of this product may require specialised equipment and knowledge. Only authorised parts, labels and decals shall be used on this equipment. Annual inspection of the engine stand is recommended and can be made by an authorised repair facility to ensure that your equipment is in optimum condition and that the equipment has the correct decals and safety labels specified by the manufacturer.

PARTS DIAGRAM



PARTS LIST

Part	Description	Qty
1	Base	1
2	Column	1
3	Turntable	1
4	Gearbox	1
5	Finger	4
6	Washer	4
7	Bolt M14x60	4
8	Bolt M10x25	2
9	Spring Washer Ø8	2
10	Nut M10	2
11	Gearbox Bracket	1
12	Bolt M8x35	4
13	Spring Washer Ø8	4
14	Nut M8	4

Part	Description	Qty
15	Bolt M14x80	3
16	Nut M14	3
17	Spring Washer Ø14	3
18	Nut	1
19	Handle	1
20	Support Bracket	2
21	Bolt M10x90	1
22	Spring Washer Ø10	1
23	Nut M10	1
24	Castor Wheel	4
25	Bolt M10x75	2
26	Spring Washer Ø10	2
27	Nut M10	2

WARRANTY

Tradequip products have been carefully tested and inspected before shipment and are guaranteed to be free from defective materials and workmanship for a period of 12 months from the date of purchase except where tools are hired out when the guarantee period is ninety days from the date of purchase.

Should the machine develop any fault, please return the complete tool to your nearest authorised warranty repair agent or contact TQB Brands Pty Ltd Warranty team – warranty@tqbbrands.com.au.

If upon inspection it is found that the fault occurring is due to defective materials or workmanship, repairs will be carried out free of charge. This guarantee does not apply to normal wear and tear, nor does it cover any damage caused by misuse, careless or unsafe handling, alterations, accident, or repairs attempted or made by any personnel other than the authorised TQB Brands Pty Ltd repair agent.

This guarantee applies in lieu of any other guarantee expressed or implied and variations of its terms are not authorised.

Your TQB Brands Pty Ltd guarantee is not effective unless you can produce upon request a dated receipt or invoice to verify your proof of purchase within the 12 month period.

Consumer Guarantee

Our goods come with a guarantee that cannot be excluded under the Australian Consumer Law. You are entitled to a replacement or refund for a major failure and compensation for any other reasonably foreseeable loss or damage. You are also entitled to have the goods repaired or replaced if the goods fail to be of acceptable quality and the failure does not amount to a major failure.



All images and illustrations shown are for reference purposes only. All information, specifications and illustrations in this manual are based on the latest information available at the time of publication and are subject to change without notice. The information in this manual is periodically revised to ensure the latest information is included. Download the latest version of this manual and other related technical documentation from www.tqbbrands.com.au