

Owners Manual

Product Code: 1054T

**MADE FOR THE
TRADE**

TQ TRADEQUIP
the trusted brand in equipment

**VEHICLE
POSITIONING JACKS**



Specifications:

- Safe Working Capacity: 680kgs
- Min Opening: 340mm
- Max Opening: 710mm
- Max Tyre Width: 280mm
- Nett Weight: 15kg

About the TradeEquip brand

The 'TradeEquip' brand of workshop equipment, is designed for use in a demanding workshop environment by professional users. With proven and trusted "Made for the Trade" reliability, 'TradeEquip' branded products offer the very best in performance for an affordable price. All backed by a 1year trade guarantee across 1,000+ distributors Australia wide.

TQ TRADEQUIP
the trusted brand in equipment

TQ PRO
Trusted by serious professionals

BORUM
INDUSTRIAL WORKSHOP EQUIPMENT

WARNING**IMPORTANT: READ ALL INSTRUCTIONS BEFORE USE****WARNING**

The instructions and warnings contained in this manual should be read and understood before using or operating this equipment. Do not allow anyone to use or operate this equipment until they have read this manual and have developed a thorough understanding of how this equipment works. Failure to observe any of the instructions contained in the manual could result in severe personal injury to the user or bystanders, or cause damage to the equipment and property. Keep this manual in a convenient and safe place for future reference.

Whilst every effort has been made to ensure accuracy of information contained in this manual, the TQB Brands Pty Ltd policy of continuous improvement determines the right to make modifications without prior warning.

CONTENT

WARNING	2
CONTENT	2
ASSEMBLY, OPERATION, PREVENTITIVE MAINTENANCE	4
PARTS LIST	6
WARRANTY	7

STANDARD OPERATING PROCEDURE

DO NOT use these jacks unless you have been trained and assessed to a competent level in its safe use and operation, and have been given permission to use them.



Safety glasses must be worn when operating this equipment



Long loose hair must be contained when operating this equipment



Safety footwear must be worn when operating this equipment



Close fitting/protective clothing must be worn when operating this equipment



Rings and jewellery must not be worn when operating this equipment

PRE-OPERATIONAL SAFETY CHECKS

- For your safety, do not modify or alter this vehicle positioning Jack.
- DO NOT operate this vehicle positioning jack on inclined surfaces. This vehicle positioning jack must only be used on hard level surfaces. The vehicle may shift as soon as the vehicle positioning jack lifts the vehicle tyres from the ground.
- DO NOT exceed the vehicle positioning jacks rated safe working capacity.
- DO NOT start the vehicle's engine or drive a vehicle while the jack is in use – vehicle positioning jacks are for manoeuvring vehicles only.
- DO NOT use vehicle positioning jacks to lift tyres wider than 280mm.
- DO NOT attempt to push vehicle positioning jack over obstacles. This jack is designed to be used on level, smooth surfaces only.
- NO Person should remain in a vehicle that is being jacked.
- NO Person should get under a vehicle that is supported only by a jack.
- Use only as specified by the manufacturer.
- Securely chock wheels remaining on the ground until the vehicle is ready to be manoeuvred.
- After lifting, be sure to always secure the locking pin in place. To lower the vehicle remove the pin before the release valve.
- When servicing, use only TradeQuip identical replacement parts. Use of any other parts will void the warranty.
- Use the right product for the job. There are certain applications for which the vehicle positioning was designed. Do not modify the vehicle positioning jack and do not use the vehicle positioning jack for a purpose for which it was not intended.

INTENDED USE

For easy movement of vehicles that are inoperable due to parts removal or other mechanical problems to free up hoists and jack stands for other work to be performed.

ASSEMBLY, OPERATION, PREVENTITIVE MAINTENANCE

1. FEATURES & MODELS

The *TradeQuip "Made for the Trade"* Vehicle Positioning Jacks manoeuvre vehicles safely and easily, without touching the chassis! Constructed from high-quality powder-coated steel, they have a lifting capacity of 680kg each. The smooth foot operated support legs lift the tyre off the ground, and the locking pin ensures optimum safety. Heavy-duty swivel castor wheels enable the rolling of cars, quad bikes, vans and light trucks into tight areas with ease. Relocating non-running vehicles or shells will never again be a drama! This pair of positioning jacks will allow 180° pivoting, and you can add an extra pair to allow for 360° manoeuvrability.

2. ASSEMBLY

Unpacking: after removing the packing material, make sure the product is in perfect condition and that there are no visible damaged parts.

Refer to the Parts List on page 6 for contents

1. Index numbers 2, 4 and 5 represent the base leg assemblies.
2. Secure the base leg assemblies to the inner tube #6 and outer tube #29 with the washers #28, lock washers #27 and bolts #26 provided as shown in the exploded view drawing on page 6.
3. Secure the castor wheels with brakes #11 to the inner tube #6 and outer tube #29 by tightening the nuts #1.
4. Secure the castor wheels #3 to the ends of the base leg assemblies with the nuts #1.
5. Securing the pedal assembly #12 when the dolly is stored or not in use can be accomplished by rotating the latch #15 toward the pedal end of the pedal assembly #12 and rotating the lock pin #9 upward so that it enters the rectangular hole in the top of the pedal assembly #12.

3. BEFORE USE

Prior to each use conduct a visual inspection checking for abnormal conditions, such as cracked welds, leaks, and damaged, loose, or missing parts.

1. Lubricate the slides and castors
2. Clean all parts and surfaces
3. Maintain all operating and warning labels

4. OPERATION

1. Ensure the vehicle is on a hard, flat, dry surface and the transmission is in PARK or engaged in gear if a manual transmission before using these Vehicle Positioning Jacks.
2. Release the pedal assembly #12 from the outer tube #29 by pushing down on the pedal end of the assembly with one hand and rotating the latch #9 out of the rectangular hole in the top of the pedal assembly #12 with the other hand.
3. Spread the base leg assemblies far enough apart where they will straddle the vehicle tyre.
4. Push the jack in toward the tyre where the rollers of the base leg assemblies are straddling the tyre and the centre of the tyre is in line with the centre of each roller.
5. Rotate the latch #15 in the opposite direction so the front claw #13 engages the teeth in the inner tube #6.
6. Activate the pedal assembly #12 so the rollers make contact with the circumference of the tyre. Again, make sure the tyre is properly aligned with the rollers. Continue activating the pedal assembly until the tyre is lifted 25mm off the ground.
7. Repeat steps 1 through 6 on the remaining three tyres. Check to see if the 25mm clearance will be enough to manoeuvre the vehicle over the floor without any obstructions. It may be necessary to increase the 1' ground clearance.
8. Once the vehicle is supported by the dollies, move the vehicle slowly and carefully to its destination and engage the locking caster wheels on all four dollies.
9. Removing the vehicle from the dolly will require disengaging the caster locks.
10. Rotate the #15 latch forward towards the foot pedal and then continue to activate the foot pedal until the rollers of the base leg assemblies clear the circumference of the tyre. Remove the dolly from under the vehicle
11. When work is done, check under the lift to ensure that there are no obstructions and that it is safe to lower the unit.

5. INSPECTION

- Prior to each use conduct a visual inspection checking for abnormal conditions, such as cracked welds, leaks, and damaged, loose, or missing parts.
- These Vehicle Positioning Jacks shall always be maintained in accordance with the maintenance instructions. No alterations or modifications shall be made.
- Inspections shall be performed in accordance with this owner's manual.
- These Vehicle Positioning Jacks must be inspected immediately if it is believed to have been subjected to abnormal load or shock.
- Owners and /or operators should be aware that repair of this product may require specialised equipment and knowledge (refer to maintenance section).

6. STORAGE

When not in use, these Vehicle Positioning Jacks should always be stored in a dry location on a level surface where they will not be exposed to corrosive vapours, abrasive dust, or any other harmful elements.

7. MAINTENANCE

- Keep the lift clean and wipe off any oil or grease. Lubricate all moving parts.
- Before each use check all parts. If any part of the lift is damaged or suspect, remove the lift from service and take necessary action to repair.
- Only use replacement parts that are approved by the manufacturer.
- Regularly clean all surfaces and maintain all labels and warnings.

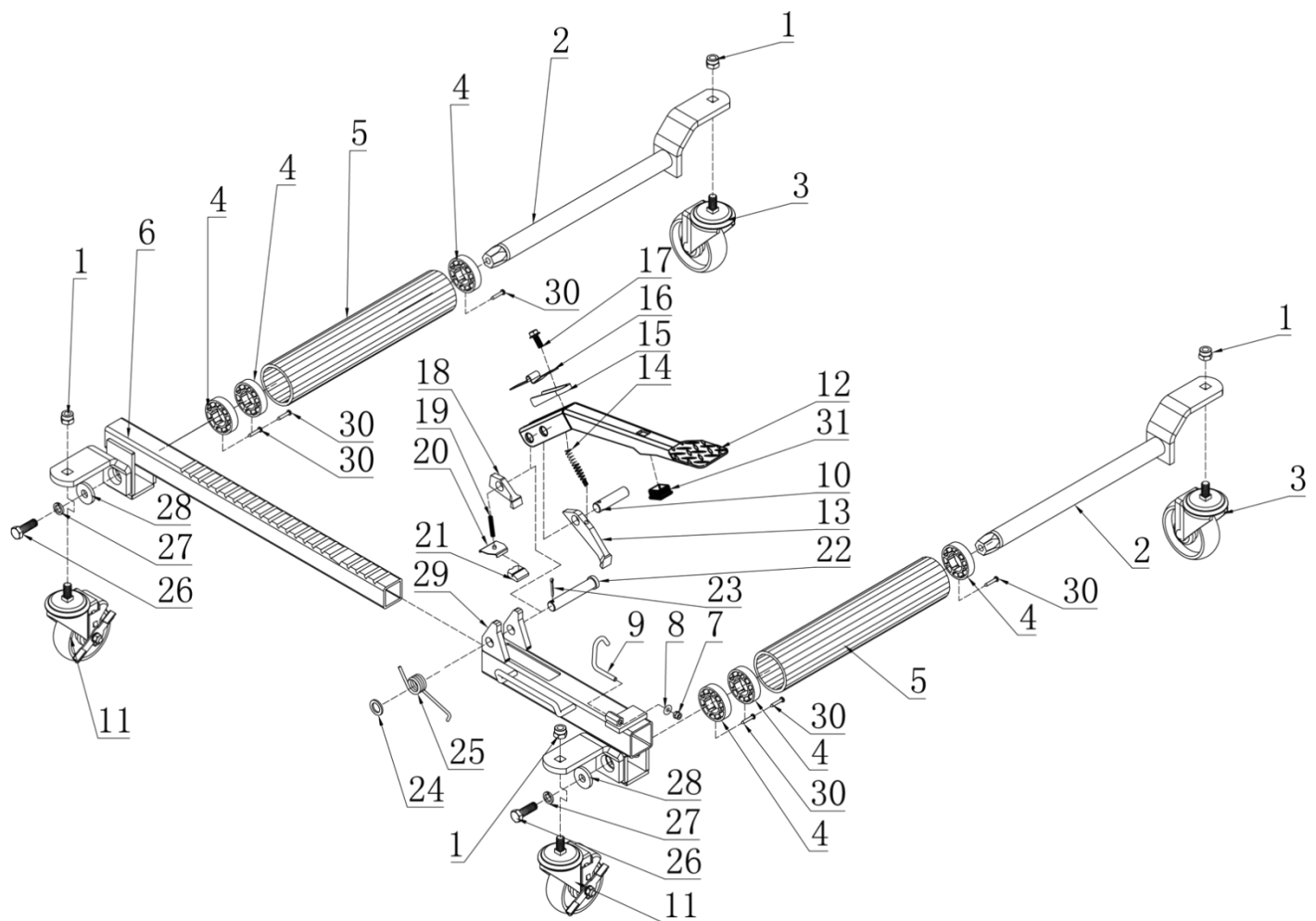
8. SERVICE & REPAIR

Any Vehicle Positioning Jack found damaged in any way, or found to be worn or operates abnormally should be removed from service until repaired by an authorised service agent. Owners and / or operators should be aware that repair of this product may require specialised equipment and knowledge. Only authorised parts, labels and decals shall be used on this equipment. Annual inspection of these Vehicle Positioning Jacks is recommended and can be made by an authorised repair facility to ensure that your equipment is in optimum condition and that the equipment has the correct decals and safety labels specified by the manufacturer

PARTS LIST

No:	Description	Qty
1	Lock Nut	4
2	Rod Assembly	2
3	Castor Wheel	2
4	Rod Race Way	6
5	Roller (Nylon)	2
6	Movable Sleeve Assembly	1
7	Lock Nut	1
8	O Ring	1
9	Pedal Lock Pin	1
10	Lock Pin	1
11	Castor Wheel with brake	2
12	Foot Pedal Assembly	1
13	Front Claw	1
14	Spring	1
15	Lock	1
16	Spring Plate	1

No:	Description	Q'ty
17	Bolt	1
18	Rear Claw	1
19	Spring	1
20	Fixed Plate	1
21	Limit Block	1
22	Lock Pin	1
23	Cotter Pin	1
24	Washer	1
25	Spring	1
26	Bolt	2
27	Lock Washer	2
28	Washer	2
29	Fixed Sleeve Assembly	1
30	Screw	6
31	Rubber Pad	1



WARRANTY

TradeQuip products have been carefully tested and inspected before shipment and are guaranteed to be free from defective materials and workmanship for a period of 12 months from the date of purchase except where tools are hired out when the guarantee period is ninety days from the date of purchase.

Should this piece of equipment develop any fault, please return the complete tool to your nearest authorised warranty repair agent or contact TQB Brands Pty Ltd Warranty team – warranty@tqbbrands.com.au.

If upon inspection it is found that the fault occurring is due to defective materials or workmanship, repairs will be carried out free of charge. This guarantee does not apply to normal wear and tear, nor does it cover any damage caused by misuse, careless or unsafe handling, alterations, accident, or repairs attempted or made by any personnel other than the authorised TQB Brands Pty Ltd repair agent.

This guarantee applies in lieu of any other guarantee expressed or implied and variations of its terms are not authorised.

Your TQB Brands Pty Ltd guarantee is not effective unless you can produce upon request a dated receipt or invoice to verify your proof of purchase within the 12 month period.

Consumer Guarantee

Our goods come with a guarantee that cannot be excluded under the Australian Consumer Law. You are entitled to a replacement or refund for a major failure and compensation for any other reasonably foreseeable loss or damage. You are also entitled to have the goods repaired or replaced if the goods fail to be of acceptable quality and the failure does not amount to a major failure.



All images and illustrations shown are for reference purposes only. All information, specifications and illustrations in this manual are based on the latest information available at the time of publication and are subject to change without notice. The information in this manual is periodically revised to ensure the latest information is included. Download the latest version of this manual and other related technical documentation from www.tqbbrands.com.au.