


Assembling Instruction


Be sure to read Before assembling, be sure to read this instruction!

Caution

Before assembling, please pay attention to the following points

Confirmation of components..... Before assembling, please confirm the quantity of the components first.

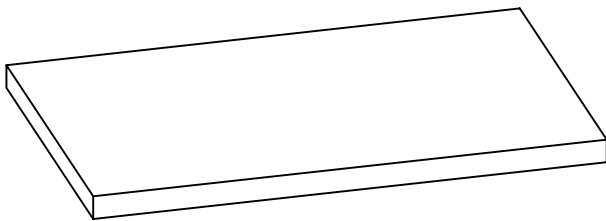
Site for assembly..... Please assemble it on the soft floor such as smooth carpet and flannel blanket.

Points for attention when assembling..... Please wear gloves to ensure that it can be assembled safely, and be certain that it will be done by two persons.

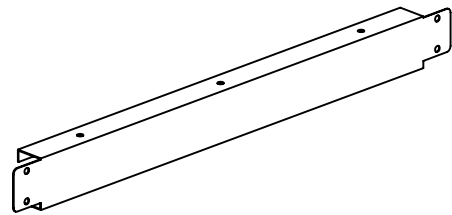
Matters needing attention for operation.....

- Do not use it on inclined surface or uneven places.
- Do not use it when screws and nuts are loosened.

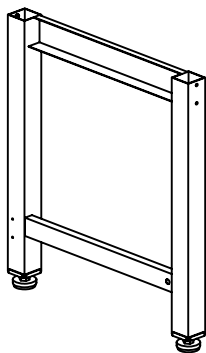
Components



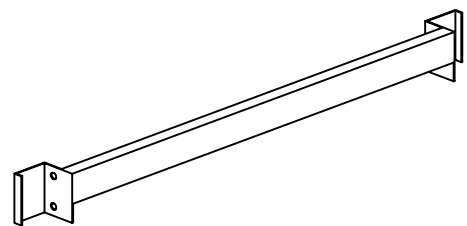
① Bench top × 1



③ Upper beam × 2



② leg × 2



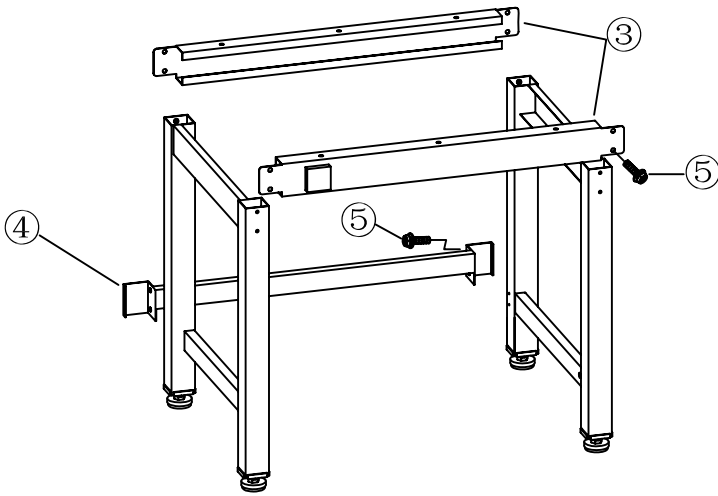
④ Back lower beam × 1



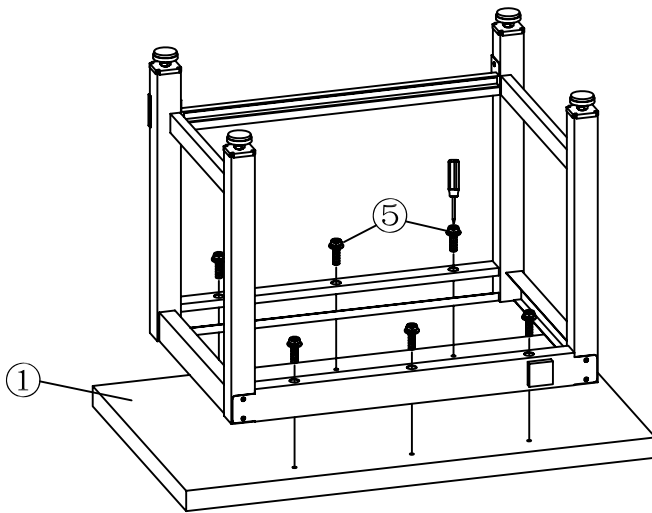
⑤ Short screw × PCS

Type	Short screw × PCS
EZD-1875	22
EZD-2175	24

Assembling Steps



1、 As shown in the drawing,put the two legs ② upright and opposite to each other,and then connect the upper beam ③ to the legs with short screws ⑤ (when an outlet is matched, it should be fitted in the front).Insert the back lower beam ④ into the back legs from the back side,its connecting hole aligned with the lower connecting hole of the leg,and fit it with short screws ⑤.



2、 Place the top ① overturned, then put the assembled bench frame on the top upside down,aligning the connecting hole of the frame with that on the top,and connect them with short screws ⑤. Confirm that all the screws are tightened with tools.

Fully assembled drawing

