

PRODUCT INFORMATION

How to extend the life of your Engine Stand

8 Top Tips

to extend the life of your TQB BRANDS Engine Stand

- 1 Ensure all assembly bolts and fasteners are positioned correctly and tightened before use.



- 2 Regularly lubricate all castors and wheels for ease of movement once loaded.

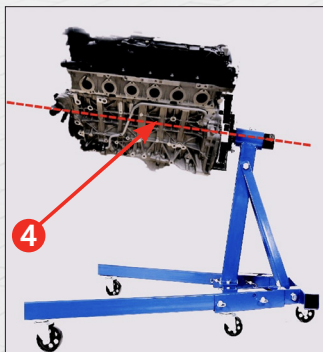


- 3 Always consult the vehicle manufacturer for correct mounting points prior to attaching an engine to your TQB Brands engine stand.



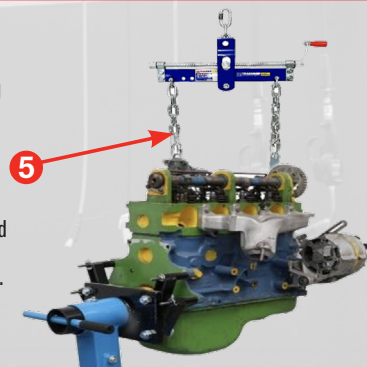
- 4 Off centre loading or unbalanced loads can affect the smooth rotating operation of the engine stand.

Always mount the engine with the crank shaft below the axis of the rotating head plate to provide the safest balance point and to decrease tip over risk while rotating the engine.

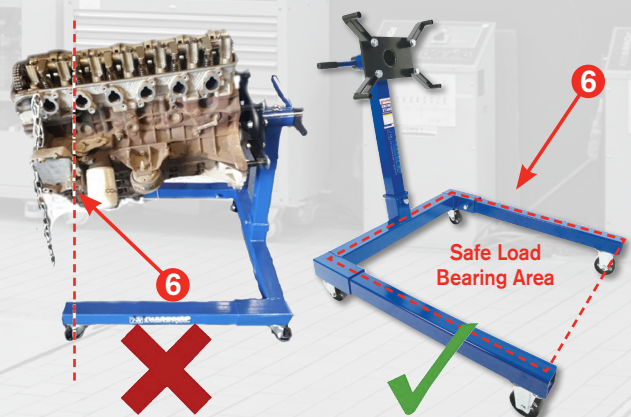


- 5 Lock mounting plate in position before attaching the engine.

Always ensure the load is centred and securely mounted on the locking plate prior to releasing from the engine lift.



- 6 Use correct model for intended applications. An engines length, width and weight should never exceed the engine stands foot print dimensions or weight specifications.



Engine Stand Model	Load Rating	Engine Type/Size/Configuration									
		Inline 4Cyl <2lt	Inline 4Cyl >2lt	Boxer 4Cyl <2lt	Boxer 4Cyl >2lt	Inline 5/6Cyl <4lt	Inline 5/6Cyl >4lt	V6 6 Cyl <4lt	V6 6 Cyl >4lt	V8 8Cyl <5lt	V8 8Cyl >5lt
TQES450	450KG	Y	Y	Y	Y	N	N	N	N	N	N
1894T	500KG	Y	Y	Y	Y	Y	Y	Y	N	N	N
1891T	680KG	Y	Y	Y	Y	N	N	Y	Y	Y	N
1192T	900KG	Y	Y	Y	Y	Y	Y	Y	Y	Y	Y

Example: Up to 2lt (<2lt) Above 2lt (>2lt)

- 7 Read the User's Manual thoroughly and keep a copy easily accessible.

- 8 Visit our webpage www.tqbbrands.com.au for instructional & pre-start video.