

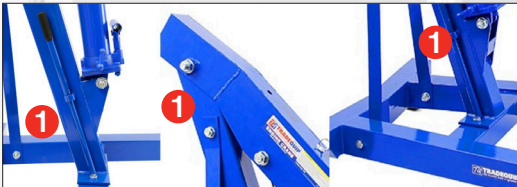
PRODUCT INFORMATION

How to extend the life of your Engine Crane

8 Top Tips

to extend the life of your TQB BRANDS 1193 Engine Crane

- 1** Ensure all assembly bolts and fasteners are positioned correctly and tightened before use.

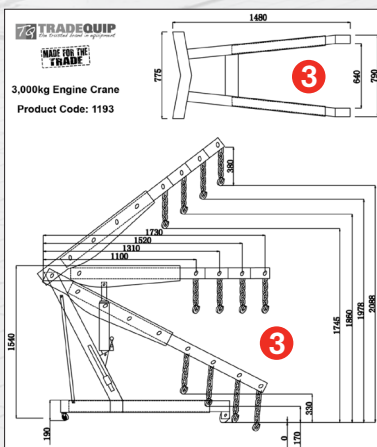


- 2** Regularly lubricate all castors and wheels for ease of movement once loaded.



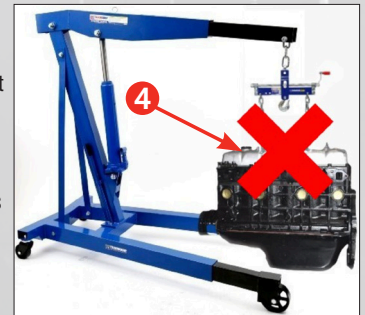
- 3** Using an engine crane once assembled starts with a two-step process. First consult the vehicle manufacturer for load weights then step two, consult the TQB Brands Engine Crane Owner's Manual for correct load jib positioning prior to loading the engine crane.

* Overloading can cause serious damage to crane components and or injury to operator.



- 4** Off centre loading & unbalanced loads or loads that mount outside of the crane's footprint can cause tipping over of the crane.

Where a combined engine/gearbox extraction is required, we recommend using the shortest position of the jib to decrease risk of tipping. Use the jib settings to create a balanced load within the footprint of the crane. Load should always remain within the footprint of the crane to ensure stable manoeuvring and prevent potential forward tipping of the load and crane.



- 5** Hazards and Obstructions.

All wheeled TQB Brands equipment must be used on smooth surface free of cracks, crevices and tripping hazards that can foul the wheels during operation or relocation.

- 6** Correct storage is vital to the longevity of the cranes ram.

Always store the crane with the ram fully retracted to prevent corrosion and contamination ingress.



- 7** During transport it is possible that air has become trapped in the hydraulic system, causing poor lifting performance.

Bleed any air from the system by fully opening the release valve (turn handle counter clockwise as shown), then while holding the boom down, operate pump handle rapidly several times.

- 8** Read the user Manual thoroughly and keep a copy easily accessible or visit our webpage www.tqbbrands.com.au for instructional documents & pre-start videos.