

X-CART

X-CART FOLDING CART TROLLEY

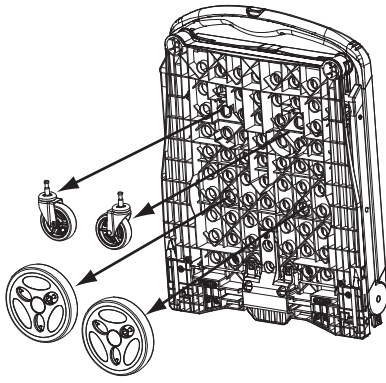
SKU: TR1800



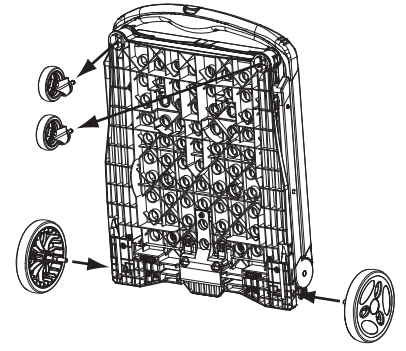
See other side for setup instructions or visit www.xcart.com.au for more information

Step 1

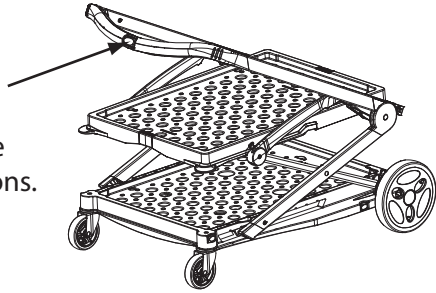
Remove all 4 wheels from the socket underneath.

**Step 2**

Insert wheels as shown. Wheels will click into place.

**Step 3**

Push the button on the handle and pull upwards. The handle can be locked at 2 positions.

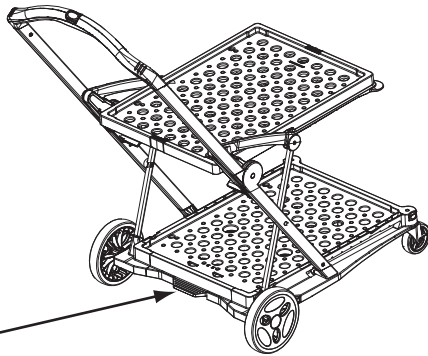
**Step 4**

Place the basket on the upper platform and fix it in position using the pull cord straps by pulling out and placing on the top rim of basket as shown.

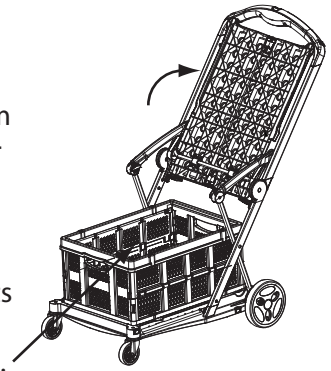
**Step 5**

Push down gently with your foot to engage brake and pull up with your foot to release.

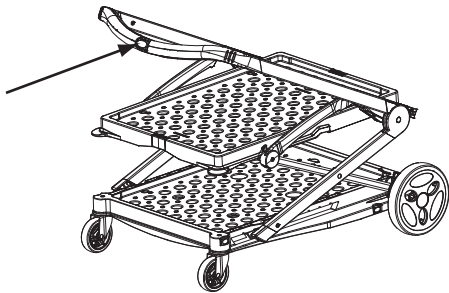
Foot pedal brake is located here.

**Step 6**

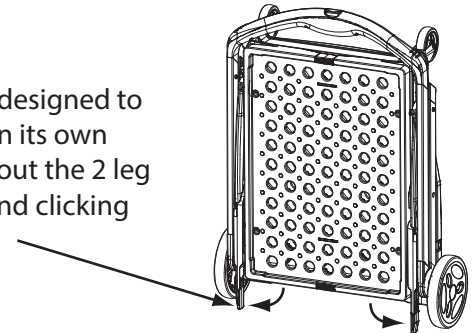
Pull the top platform up for carting larger goods. The basket can also be used on bottom platform as shown. Extra baskets are available which can be stacked here.

**Step 7**

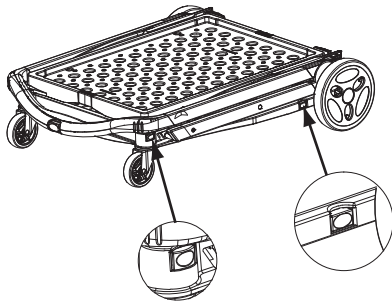
Push the button on the handle to fold the cart.

**Step 8**

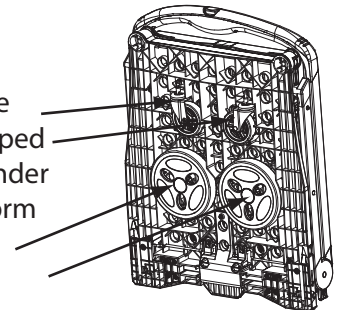
The cart is designed to stand up on its own by pulling out the 2 leg supports and clicking into place.

**Step 9**

The wheels can be removed by a push of a button. There is a button for each wheel.

**Step 10**

The wheels can be removed and clipped back into place under the bottom platform as shown.



X-CART

visit www.xcart.com.au for more information

Total Cart Capacity: 75kg (165lb)
 Top Platform Capacity: 25kg (55lb)
 Bottom Platform Capacity: 50kg (110lb)
 Unit Weight: 8.4kg (18.5lb)