

ANTI SLIP FRP STAIR NOSING

Installation Procedure:

On-site cutting

Anti Slip Stair Nosing's are very easily shaped or cut to length should this is required.

We recommend using a dry cut diamond blade operated in a hand held 100mm angle grinder.

As dust and loose chips will be generated through the cutting process, eye protection and dust masks should be worn.

No edge sealing is required where the product has been cut.

Drilling Instructions

Drilling for screw or bolt fixings is a very easy task. Always mark the fixing hole location on the underside of the FRP material. Using a standard jobbing bit, simply drill through the material from the smooth rear face to the anti-slip top face. Ensure that adequate personal safety precautions are taken.

Install To:

Open Grille / Grating

Anti Slip Stair Nosing may be installed on open grate stairs with stainless steel Saddle Assemblies (supplied by Barrier Group) in conjunction with M6 x 35mm stainless steel bolts and M6 stainless steel nyloc nuts. (PHOTO 1 & 2).

Timber Decking

Anti Slip Stair Nosing's may be installed to timber stairs with 8g x 35mm self tapping screws and urethane mastic. The mastic assists with adhesion but importantly stops bounce or chatter when the nosing is walked on. (PHOTO 3).

Flat Steel Sheetting and Tread Plate

Anti Slip Stair Nosings may be fixed in place with urethane mastic adhesive only or with a combination of adhesive and mechanical fixings.

Adhesive only fixing is fast and easy. Ensure the stair surface is clean dry, free of oil and grease and is lightly scuffed. Wipe the underside of each stair nosing with isopropyl alcohol or methylated spirits and allow to dry. Using a 6mm – 8mm bead of urethane based adhesive lay lines of adhesive to the underside of the stair nosing.

Locate the stair nosing on the tread and press lightly to spread the adhesive. Allow 6 – 8 hours to cure fully before allowing traffic on the stair.

If access to the underside of the stair treads is easy then it is recommended to use stainless steel M6 x 35mm machine screws with M6 stainless steel nyloc nuts. If access to the underside of the stair tread is not possible then use 4.8mm x 14mm (or similar) Monel steel rivets.

Bolts with nyloc nuts offer a highly secure fixing method with no risk of the fixings stretching or working loose. A seal of urethane mastic to the underside of the nosing is recommended to prevent bounce or chatter. (PHOTO 4, 5 & 6).

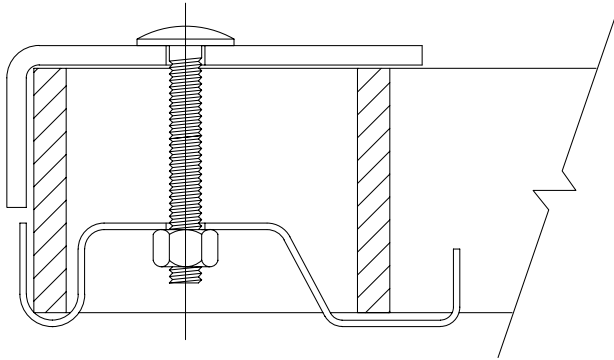
Masonry Floors

Anti Slip Stair Nosings may be fixed in place with urethane mastic adhesive only or with a combination of adhesive and mechanical fixings.

Adhesive only fixing is fast and easy. Ensure the stair surface is clean dry, free of oil and grease and is lightly scuffed. Wipe the underside of each stair nosing with isopropyl alcohol or methylated spirits and allow to dry. Using a 6mm – 8mm bead of urethane based adhesive lay lines of adhesive to the underside of the stair nosing. Locate the stair nosing on the tread and press lightly to spread the adhesive. Allow 6 – 8 hours to cure fully before allowing traffic on the stair.

When using masonry fixings we recommend that a urethane mastic is also used under the Stair Nosing's to prevent bounce and chatter when the nosing is walked on. Drill fixing holes through the stair nosing, matching holes into the masonry tread, locate the drive anchor and hammer home. (PHOTO 7 & 8).

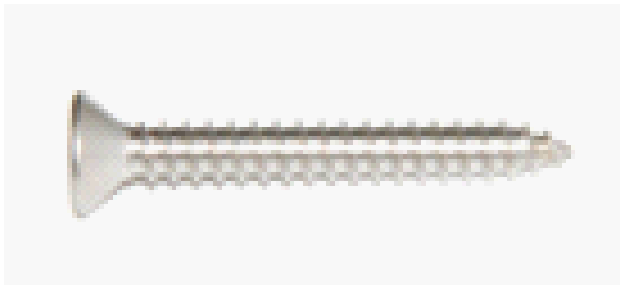




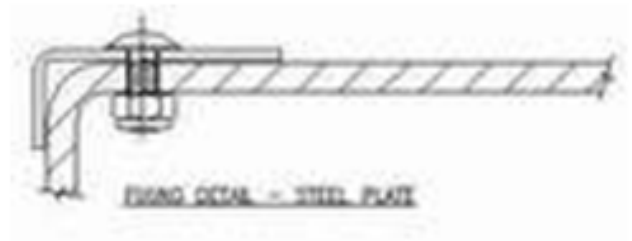
1. Fixing detail – Web grating.



2. Fixing assembly.



3. 8g x 35mm Screw.



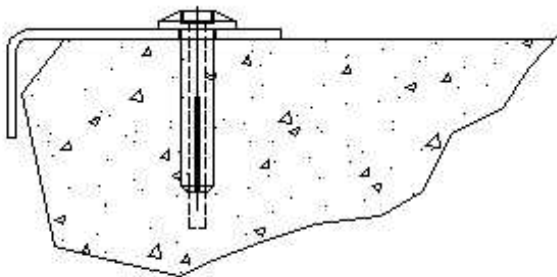
4. Fixing detail – Steel plate.



5. M6 x 35mm Machine screw.



6. 4.8mm x 14mm Monel rivet.



FIXING DETAIL – CONCRETE SUBSTRATE

7. Fixing detail – Concrete substrate.



8. Masonry drive anchor.