

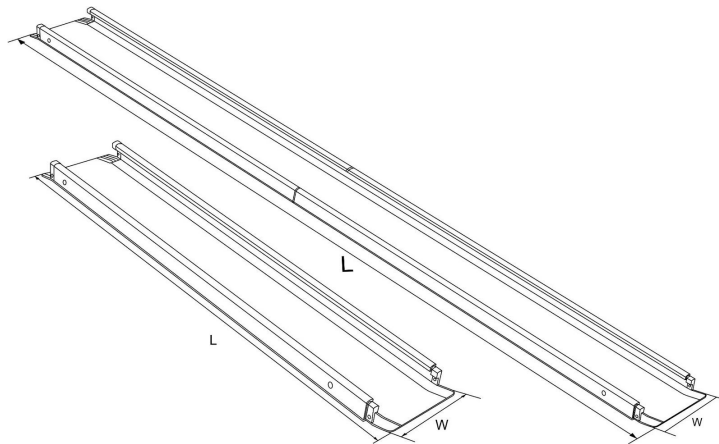


# H0041 ALUMINIUM RAMP

## 150KG CAPACITY/PC (300KG CAPACITY/PAIR)

### INSTRUCTION MANUAL

These telescopic channel ramps are an aluminium portable wheelchair ramp system that is very lightweight and easy to carry and set up with a permanent textured non-skid free surface. The channels are very light compared to their wheelchair ramps and can easily be stored away or transported in vehicles



**MAXIMUM WEIGHT CAPACITY IS 150kg/pc, 300kg/pair.**

### 1. WARNING

- 1.1 **NEVER** exceed the rated capacity of your ramp.
- 1.2 **NEVER** exceed the maximum height limit listed above.
- 1.3 Use caution at all times when loading and unloading.
- 1.4 **ONLY** load and unload onto a stable, level surface.
- 1.5 **NEVER** stand in the path of equipment or vehicle. Keep bystanders and children away.
- 1.6 **DO NOT** leave attached ramps unattended.
- 1.7 Ramp surfaces will have less traction when wet. Use caution.
- 1.8 The ramp is not a toy. **DO NOT** use the ramp as a jump, scaffold, bridge, ladder or anything other than its designed purpose.
- 1.9 ALWAYS follow manufacturer recommendations for chair or scooter.

### 2. OPERATION GUIDANCE

#### 2.1 Loading wheelchair:

- a. Position the wheelchair in the direction of the ramp with front wheel forward. Roll or ride the wheelchair slowly and steadily up the ramp, ensuring that the wheels follow the centre of the ramp.
- b. Take extra care in wet conditions to ensure the wheels do not slide on the ramp.

#### 2.2 Unloading wheelchair:

- a. Position the ramp as detailed above directly behind the rear wheel of the wheelchair. Allow the wheelchair to roll backwards down the ramp, ensuring the wheels follow the centre of the ramp.
- b. Always have a qualified assistant present when using the ramp.

### 3. MAINTENANCE

- 3.1 It is the user's responsibility to check the loading ramp and components before each and every use. If the ramp is damaged, it should NOT be used.
- 3.2 Maintain the ramp by regular cleaning.