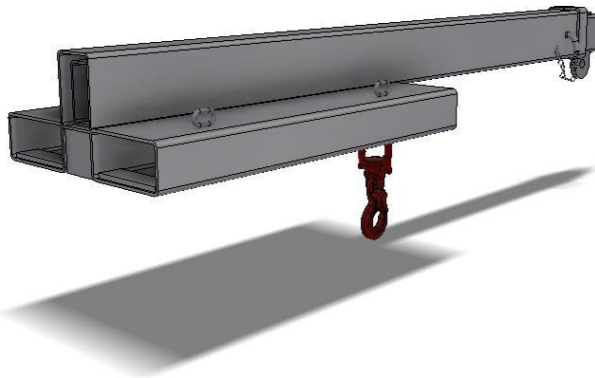


Product Specification

LOW PROFILE FORKLIFT JIB DHE.ERJL 4.5

The DHE-ERJL 4.5 Low Profile Forklift Jib is an affordable general-purpose jib. It has a low profile design, with a 3.4 metre reach when fully extended, allowing for long reach lifts. The jibs overall length when retracted is 2.0 metres. The standard finish on this unit is zinc plated. Supplied with safety Hook and Shackle.



SPECIFICATIONS:

- Safe Working Load (SWL 4500kg Max)
- Unit Weight 145kg
- Load Centre 875mm
- Horizontal Centre of Gravity 1300mm
- Vertical Centre of Gravity 130mm
- Pocket Size 185 x 65mm
- Pocket Centres 290mm

SAFE WORKING LOADS (SWL) PER POSITION						
POSITION	1	2	3	4	5	6
EXTENSION	870	1945	2325	2705	3085	3465
SWL (kg)	4500	1300	750	560	380	200

