

Mezzanine Gate

Double Boom Gate Assembly

PRODUCT GUIDE / INSTALLATION PROCEDURE



Standard/ Right hand operated Gate



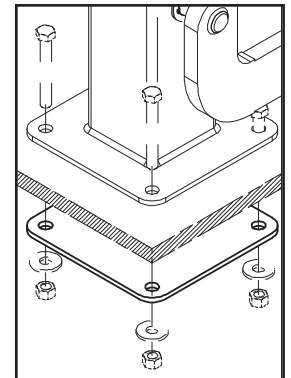
Left hand operated Gate (Build to order only)

Recommended Tool/ Equipment/ Hardware:

- Utility Knife
- Chalk for Marking Concrete, Chalk Line
- String Line or Laser
- Tape Measure
- Spirit level
- Hammer Drill with the appropriate Drill bit
- Spanners or Impact Driver with the appropriate Socket
- Allen keys or Hex Socket
- Marker
- Brush/ Vacuum
- Appropriate PPE

As required

- Soft faced hammer
- Packers
- **KIT28** Optional reinforcement plate kit (sold separately)



KIT28
Optional reinforcement plate kit



Note: Mounting fastening hardware is not supplied. Please contact Barrier Group if unsure whether you have the most appropriate fastening hardware to suit the substrate or floor material/ thickness. **ATTENTION:** When mounting posts on unsupported floor, the optional reinforcement plate kit **KIT28** is available separately for providing additional support to the post.



Important information.
Read carefully before commencing any work.
Keep this information for further reference.

Barrier Group assumes no liability for any inaccuracy or misinterpretation of our recommendations or guidance regarding product selection and installation. Barrier Group assumes no liability for improper installation or misapplication of its products. You must engage an appropriately qualified professional to assess the suitability of the product. Barrier Group does not warrant or guarantee the work of third-party installers and failure to use or install the product in accordance with the relevant product information guides may affect the Barrier Group warranty.

You must engage an appropriately qualified professional to assess the structural integrity or suitability of a fixture, building or surface to which any Barrier Group product is attached. You are solely responsible for compliance with any applicable Australian standards, building codes, workplace health and safety acts or regulations, industry codes of practice and guidelines, and any site-specific requirements.

BEFORE YOU START

Please check that all parts are included and contact Barrier Group immediately if you are missing a component.

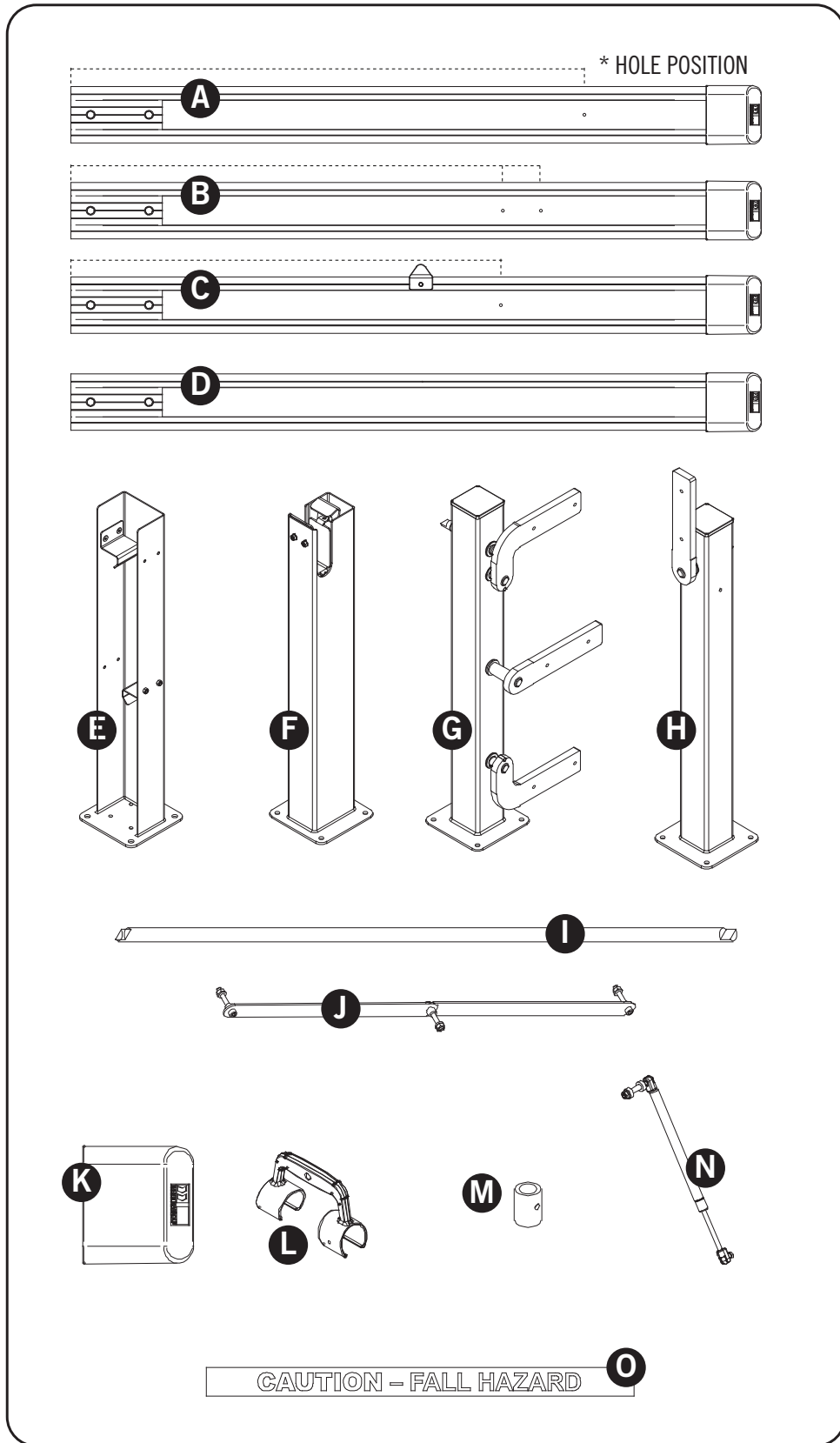
You must consider all relevant safety requirements and undertake work health and safety risk management before installation. You must take all reasonable control measures to eliminate or minimise potential hazards and risks during installation, including equipping the installer with appropriate personal protective equipment and tools. You must use caution tape, cones or other barriers to isolate the working area as required during installation.

Please ensure you work safely at all times.

AFTER INSTALLATION CARE

Please tighten all fittings and fixtures properly before use. You must check all fittings regularly and retighten them as necessary.

CONTENTS



**Not to Scale. Receiver post (E) shown for standard/ right hand operation.

INSTALLATION PROCEDURE



BEFORE YOU START! Consider the following:

- The maximum opening span, overall width and the overhead height clearance required.
- The safe operation of the gate.

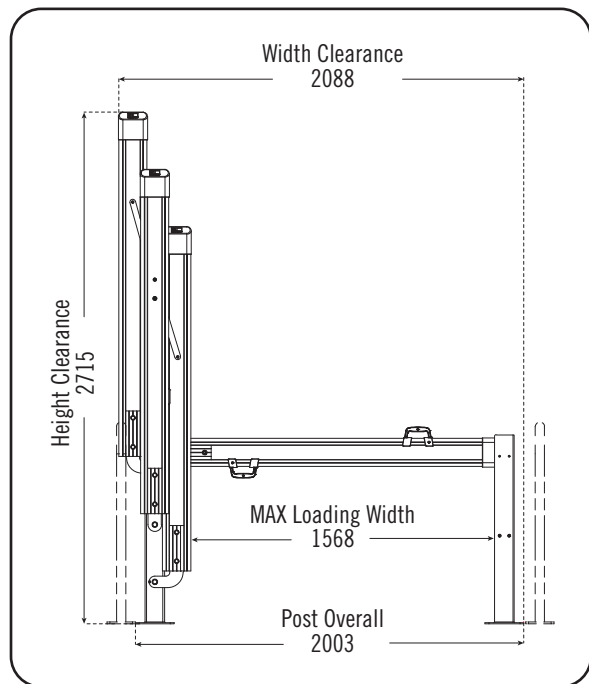
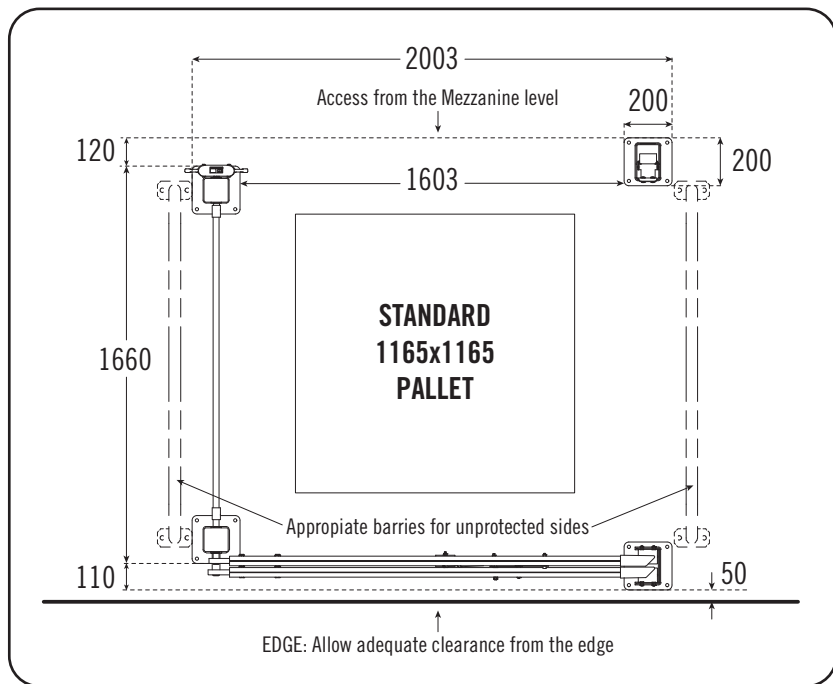


Figure (1) the layout, positioning, overall height/ width and clear opening of 1500 model (not to scale) - **MZ1500-A** shown.

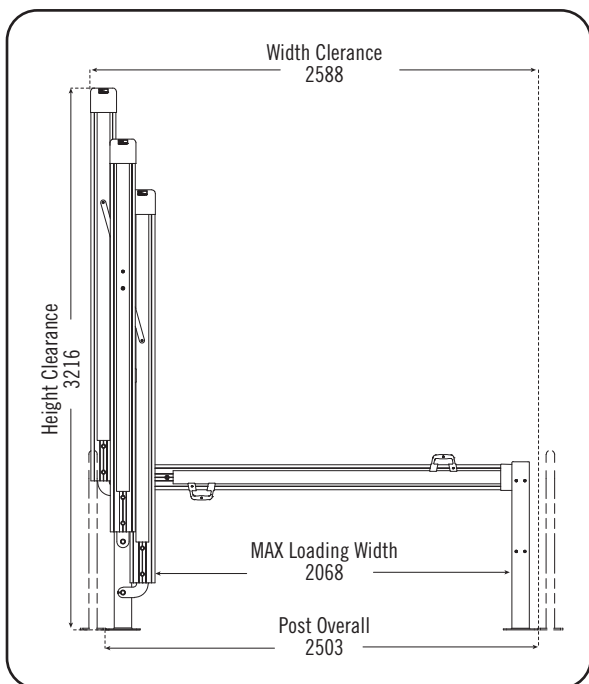
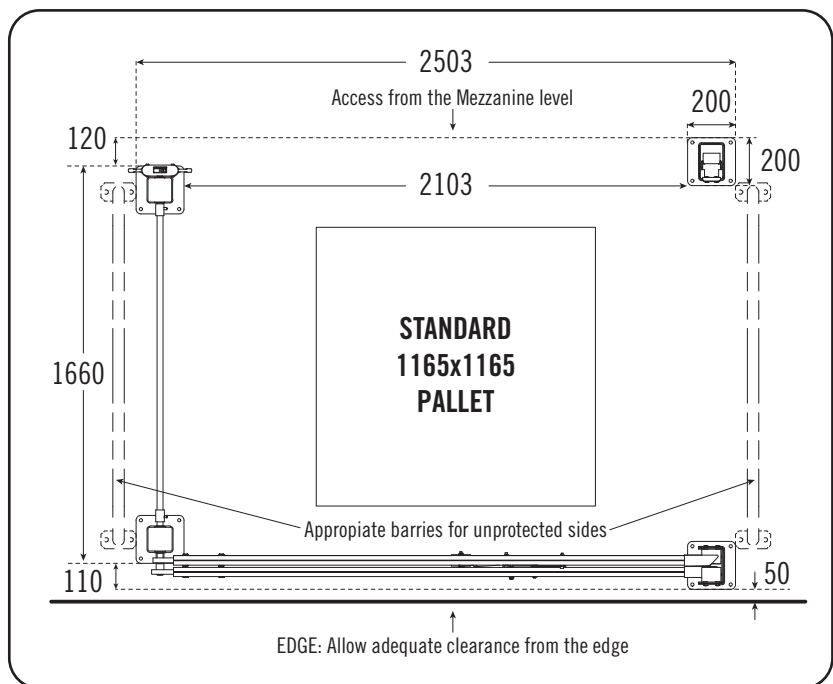
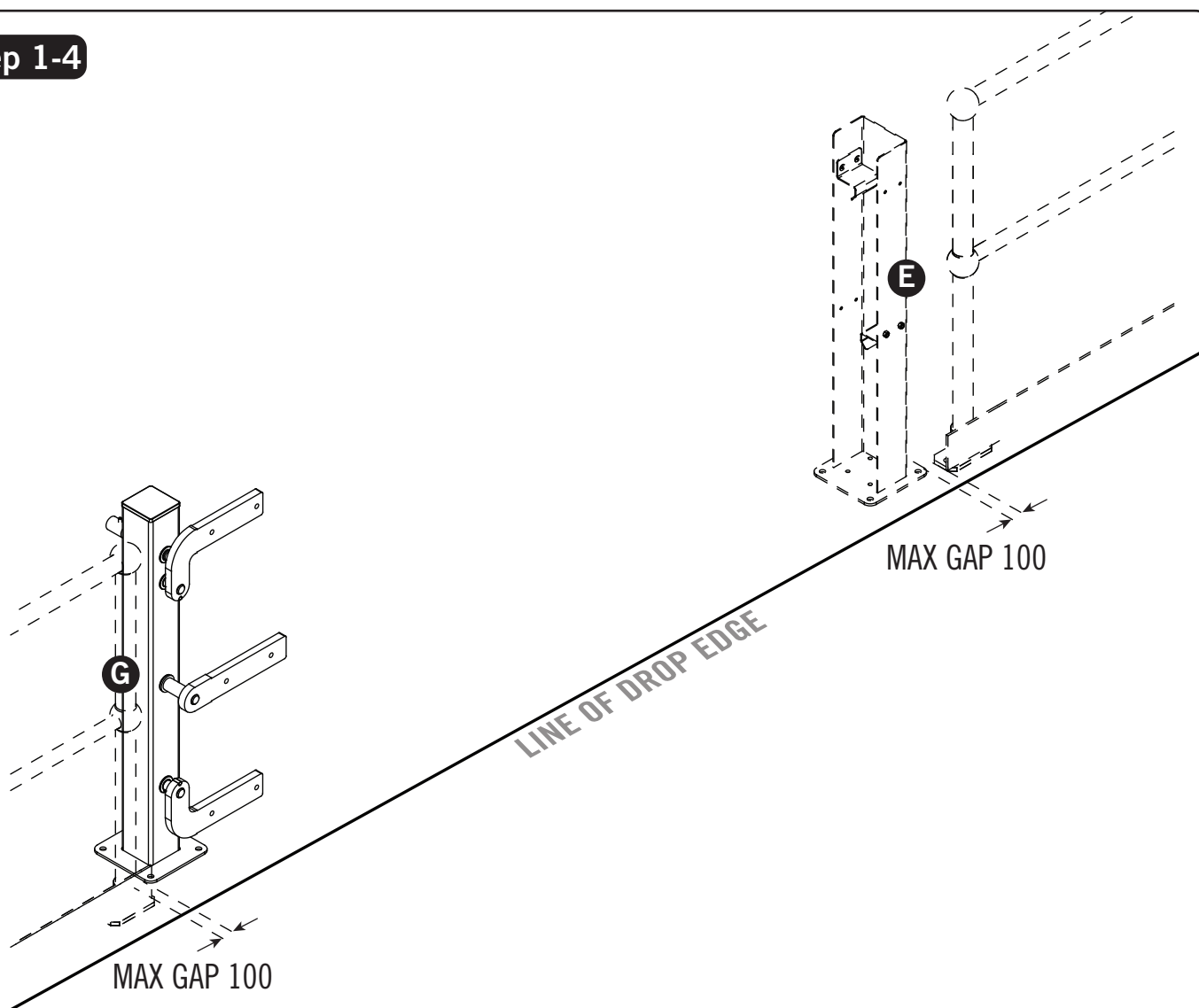


Figure (2) the layout, positioning, overall height/ width and clear opening of 2000 model (not to scale) - **MZ2000-A** shown.

INSTALLATION PROCEDURE

Step 1-4



1. Mark the layout and positioning of the three pivot gate post (G) and receiver post (E) on the intended install area's surface. Use a chalk line and tape measure to ensure accuracy.

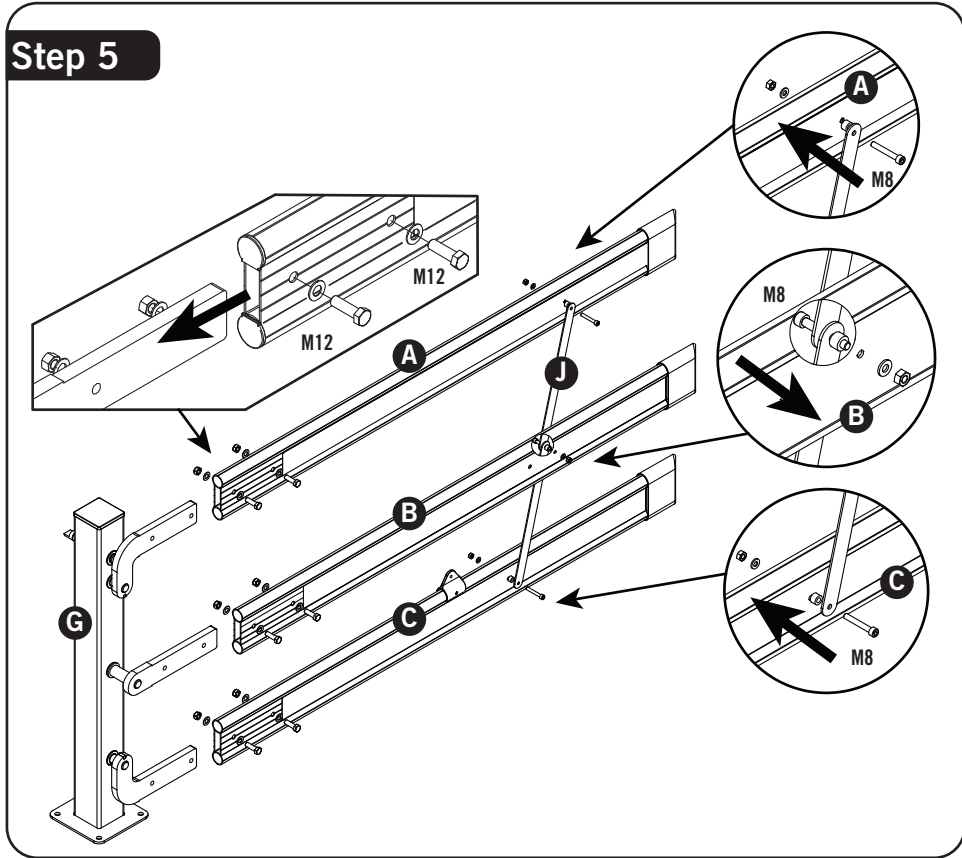
Attention: Refer to the required offset distance between the three pivot gate post (G) and receiver post (E).

 - Ensure the gap does not exceed 100mm between the post and the edge protection railing system.
 - Minimum clearance of 50 mm from any obstacles.
 - Allow an adequate clearance between the drop edge and the post.

For proper gate positioning and orientation, please refer to Figure (1) for the 1500mm model or (2) for the 2000mm model.
2. Install the three pivot gate post (G) following steps 3 and 4. **Do not install the receiver post (E) until the gate booms are installed in step 5.**
3. Post installation: Using the base plate as a guide, mark and drill the 12 mm mounting holes to suit the substrate or floor. Remove all dust and debris.

Attention: When mounting posts on the unsupported floor, use **KIT28** for additional support. Refer to page 1.
4. Use a spirit level to ensure the post is level. Use packers as required. Once satisfied, securely tighten the post with the appropriate fastening hardware.

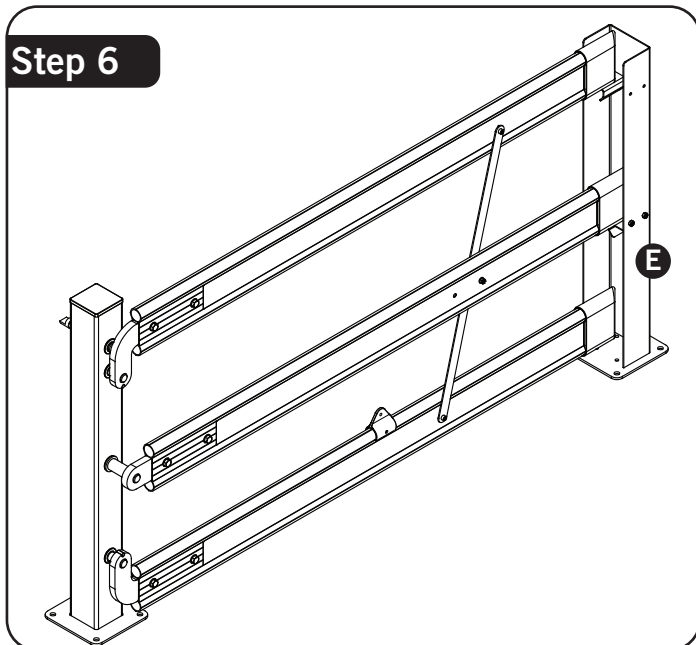
INSTALLATION PROCEDURE



5. Install rails (A), (B) & (C) to the gate arms on the three pivot gate post (G) using the M12 bolts supplied.

Then, attach the linkage kit (J) to railing (A), (B) & (C) using the M8 bolts supplied.

*** Insert M8 bolts following the arrows indicated on rails (A), (B) & (C) in the image.*



6. Attach landing plates to the receiver post (E) with fixings supplied. Refer to Figure (3) & (4) to ensure correct orientation.

Then, position the receiver post (E), ensuring adequate clearance, and the gate rails land onto the receiver post

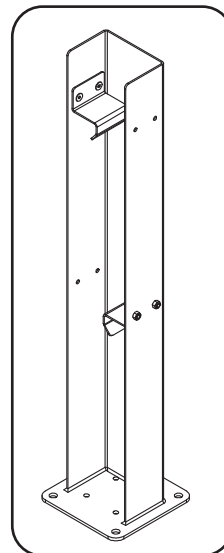


Figure (3)
Receiver post for Standard/
Right hand operated gate

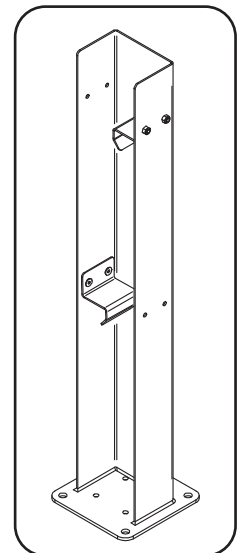
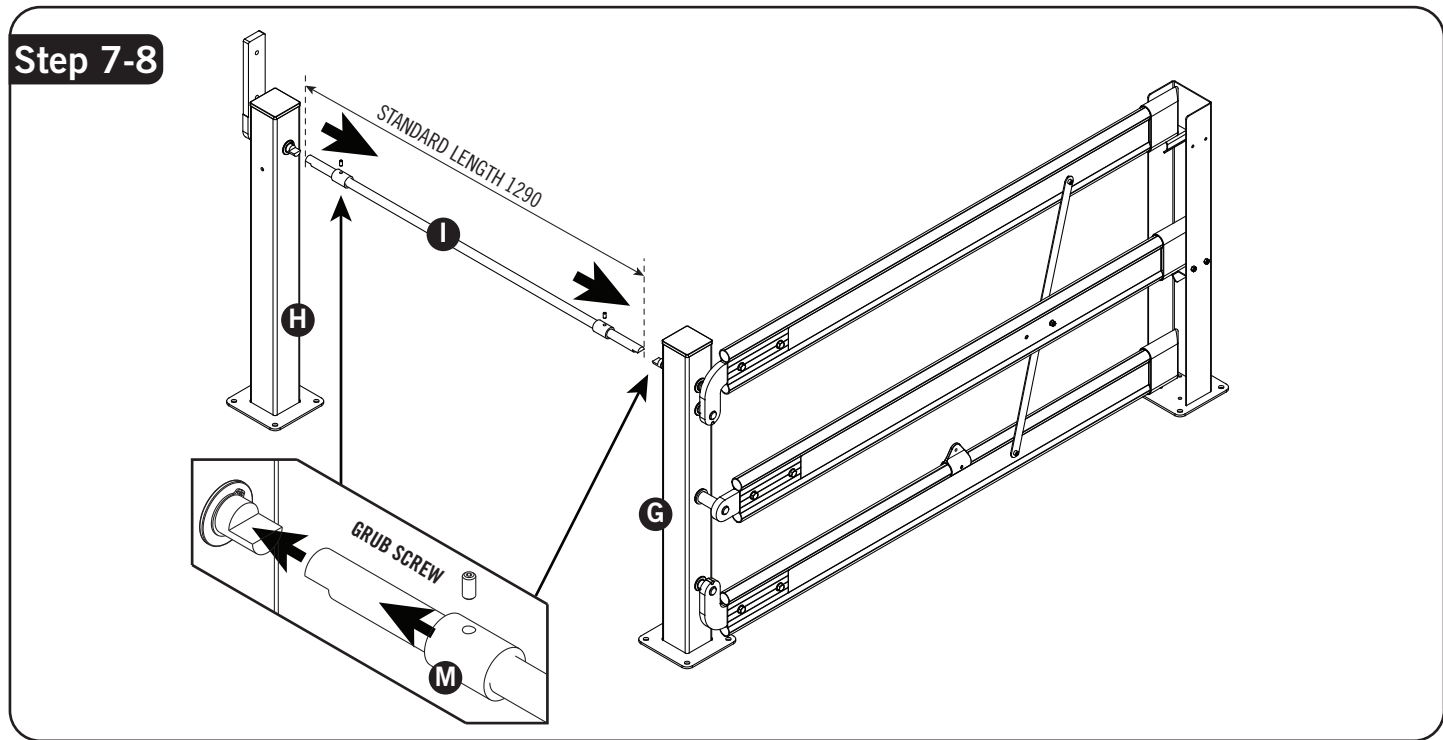


Figure (4)
Receiver post for
Left hand operated gate

landing plates; adjust if necessary, refer to Figure (1) for the 1500mm model or (2) for the 2000mm model.

Repeat steps 3 & 4 to mount the receiver post (E) in position.

INSTALLATION PROCEDURE



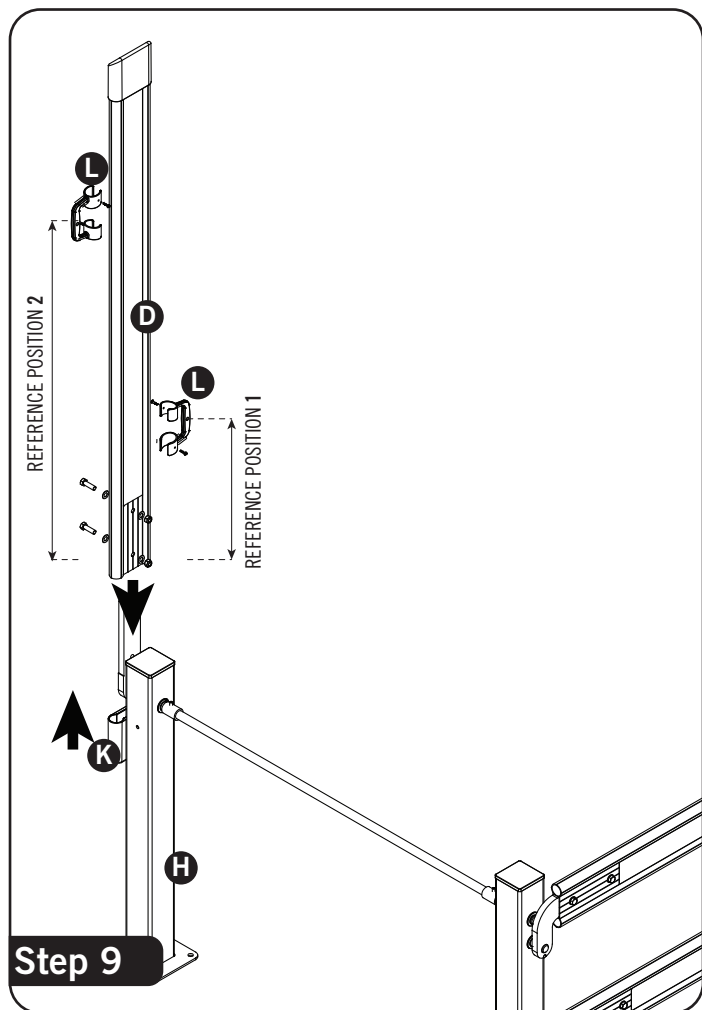
7. Place single pivot gate post (H) in position (**Do not install the single pivot gate post (H) until step 8**) Then, connect the connecting rod (I) to the three pivot gate post (G) and single pivot gate post (H).

Slide collar (M) over the post shafts and connecting rod. If required, use a soft hammer for seating the shaft collar. Secure the collar with the grub screws provided.

- 8. Repeat steps 3 and 4 to mount the single pivot gate post (H) in position.
- 9. Install the single rail (D) using the supplied M12 bolts and nuts.

Then, slide the supplied handles (L) onto the single rail (D) and secure it in position with the self-tapping screws provided. Refer to the recommended position in Chart (1) below.

Attach the rail boot (K) to cover the exposed end of the single rail.

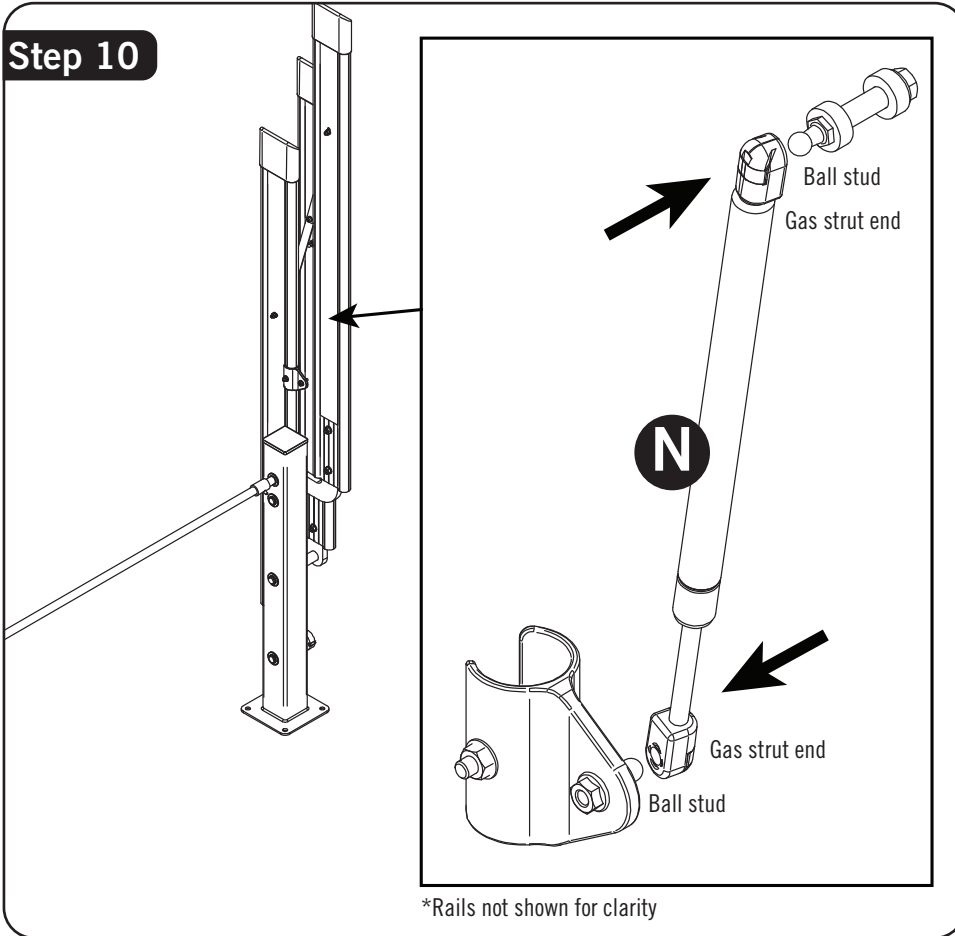


Model	Recommended Position 1	Recommended Position 2
1500mm	400mm	1300mm
2000mm	400mm	1800mm

Chart (1) Recommended position for handle

INSTALLATION PROCEDURE

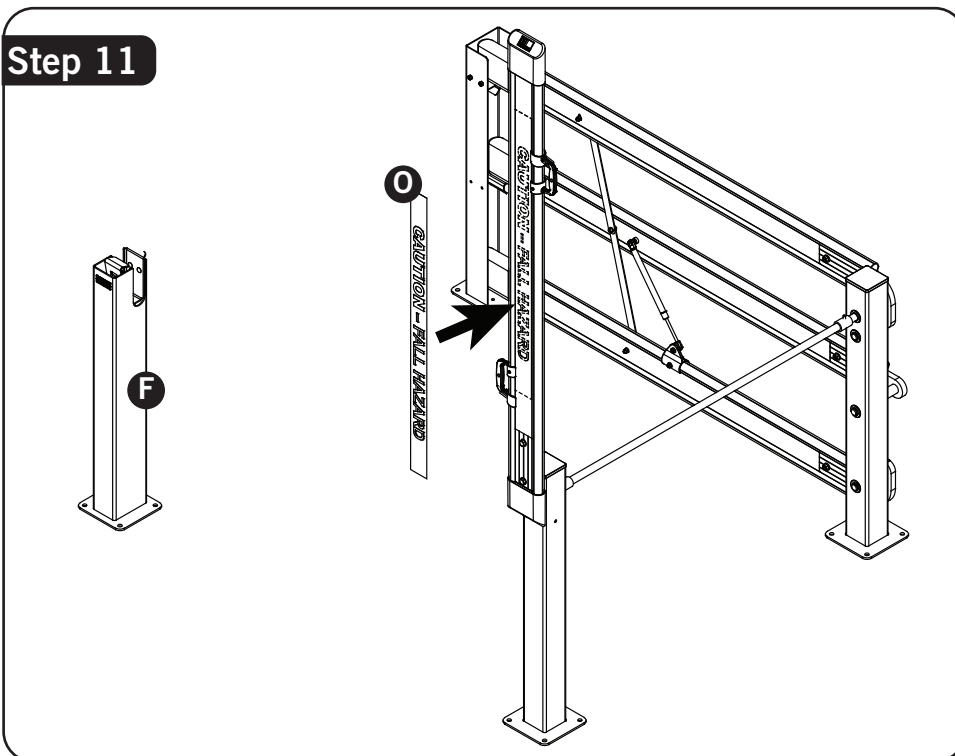
Step 10



10. With the gate in the upright position, install the gas strut ends onto the ball ends. Ensure all fixings are tight.

Test the gate function and ensure smooth operation, allowing for easy movement.

Step 11



11. Receiver latch post (F) installation: Align the single rail with the receiver post to ensure optimal operation.

Once satisfied, repeat step 3 & 4 for the receiver latch post (F).

Attention: Caution – Fall Hazard sticker (O) must be installed prior to operation.



The gas strut assists the manual operation of the gate rail(s), providing a seamless shift between the open and shut position. To avoid damage to the mechanism, you must not allow the gate to drop suddenly or close with force.



BARRIERGROUP