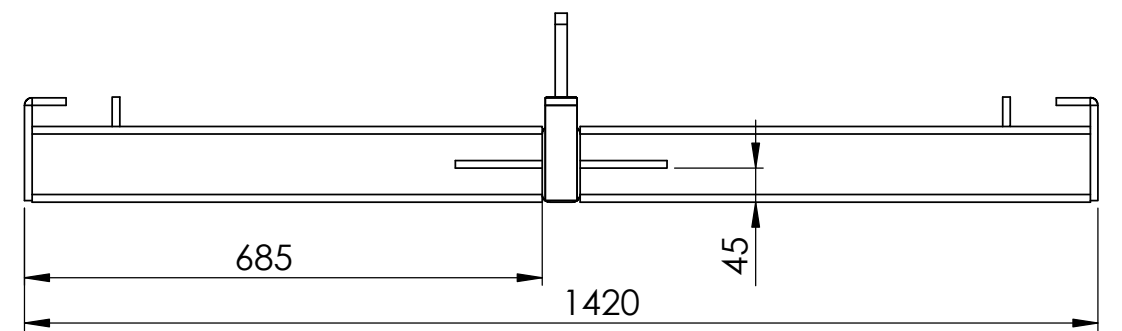
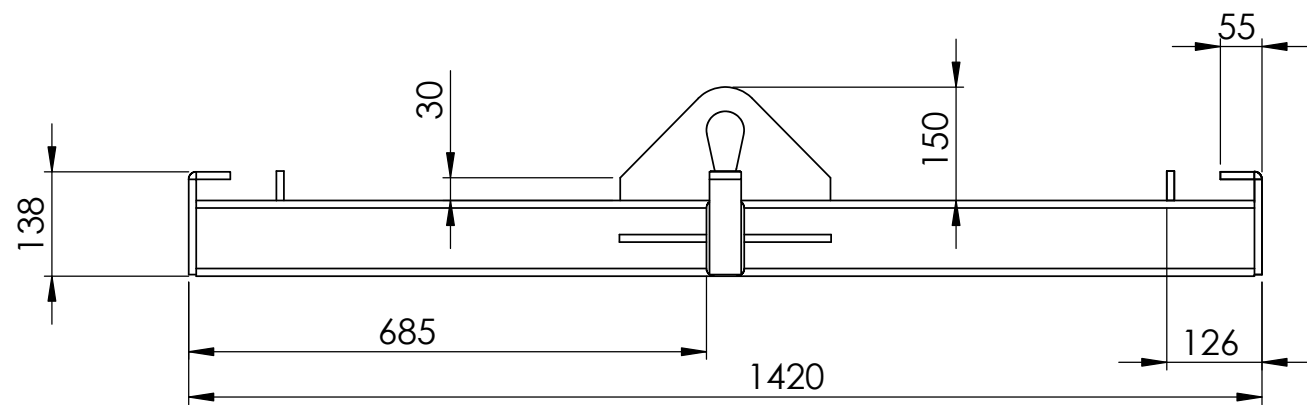
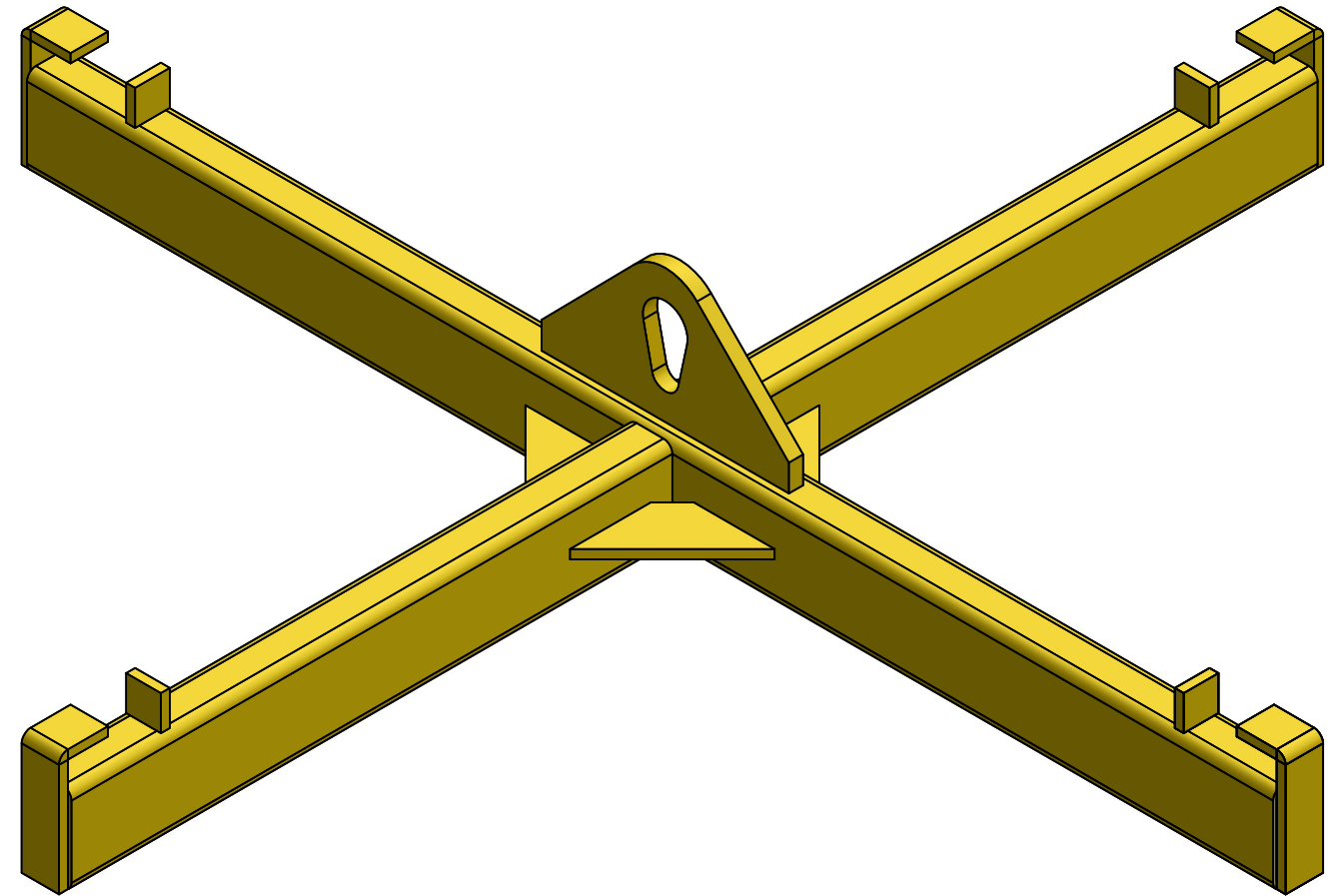


WLL : 2000 KGS



CONFIDENTIAL

The information contained herein is the sole property of DHE MHE and must not be reproduced, copied or otherwise used in whole or part to assist in the making or to furnish any information for the making of drawings or parts except with the written permission of DHE MHE

©DHE MATERIALS HANDLING EQUIP 2019

FABRICATION

TOLERANCES:
ALL DIMENSIONS IN MM
UNLESS STATED OTHERWISE ALL TOLERANCES TO BE AS FOLLOWS:
+- 0.1
DRAWN TO AS1100

DATE
27/07/2023

DRAWN

MASS
31.93 kgs

SCALE: DNS

FILE NAME: BULK BAG LIFTER - DHE-BBCCA1

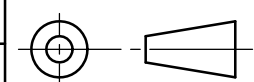
MATERIAL: Mild Steel

FINISH: P/C SAFETY YELLOW

QTY PER SET:

DESCRIPTION

BULK BAG LIFTER - DHE-BBCCA1



PART NO

DHE-BBCCA-1

SHEET SIZE

A3

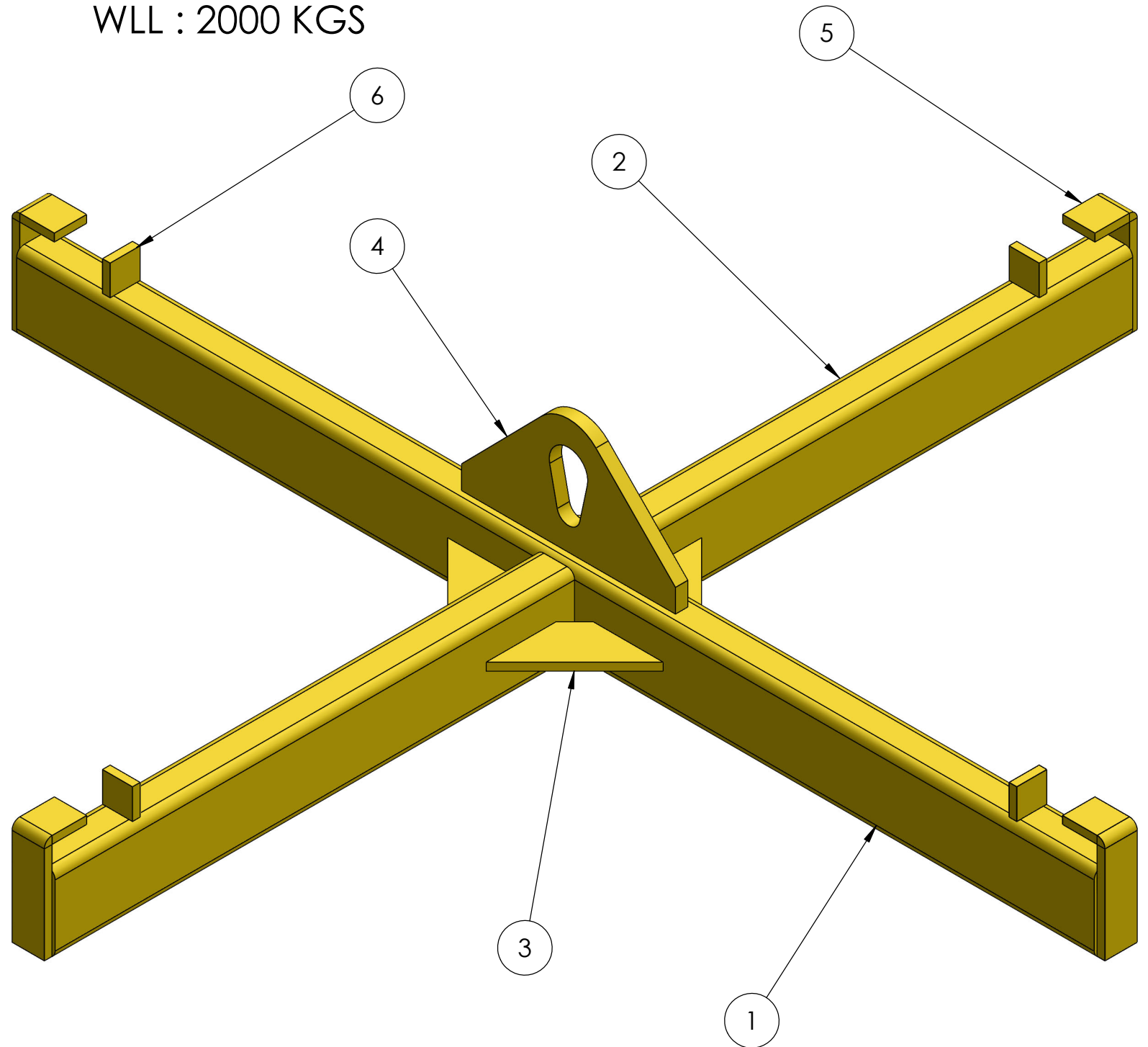
DHE MATERIALS HANDLING EQUIPMENT
28 Aster Avenue, Carrum Downs, Vic, 3201
email: sales@dhemhe.com.au - Ph. 1300 067 281

SHEET 1 OF 3

REV

ITEM NO.	QTY.	DESCRIPTION	LENGTH	S/M (MM)	SHT LEN	SHT WIDTH
1	1	100x50x4.0 RHS	1400			
2	2	100x50x4.0 RHS	675			
3	4	RIBS		10	162.6	64
4	1	MAIN CTR PLATE		16	278	150
5	5	END HOOK		10	171	42
6	5	STUB		10	39	39

WLL : 2000 KGS



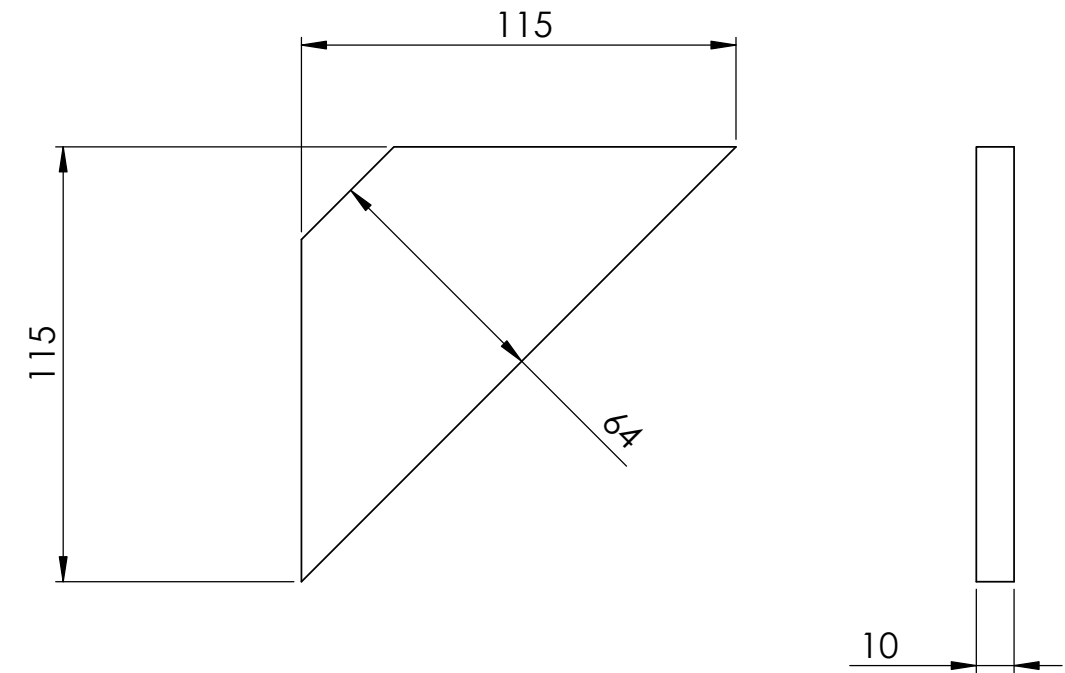
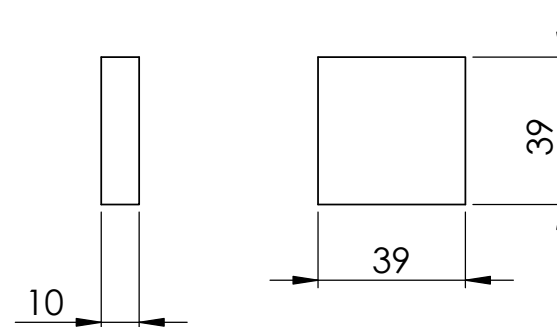
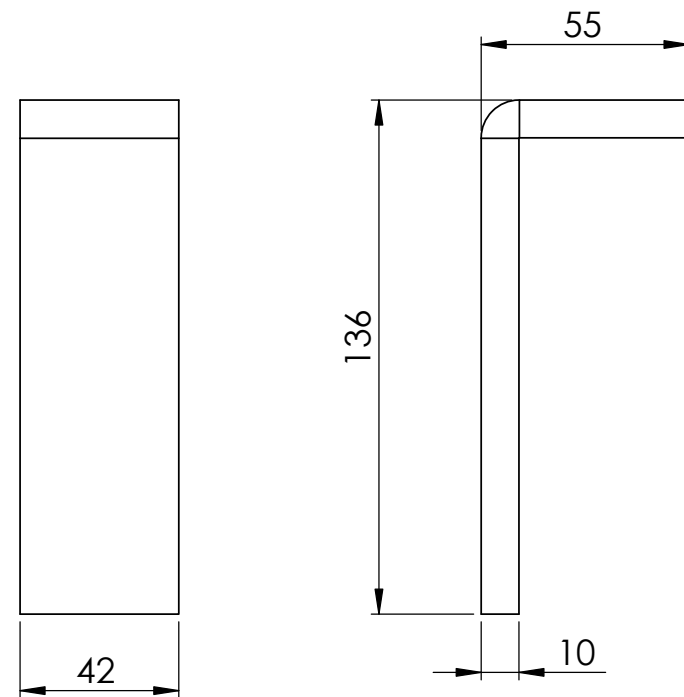
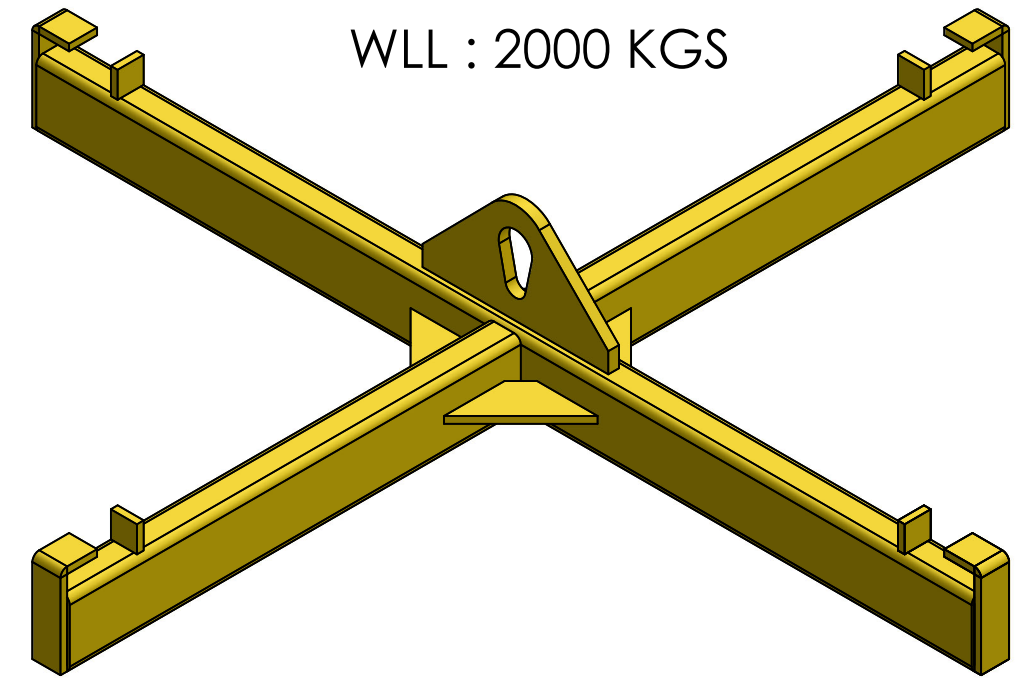
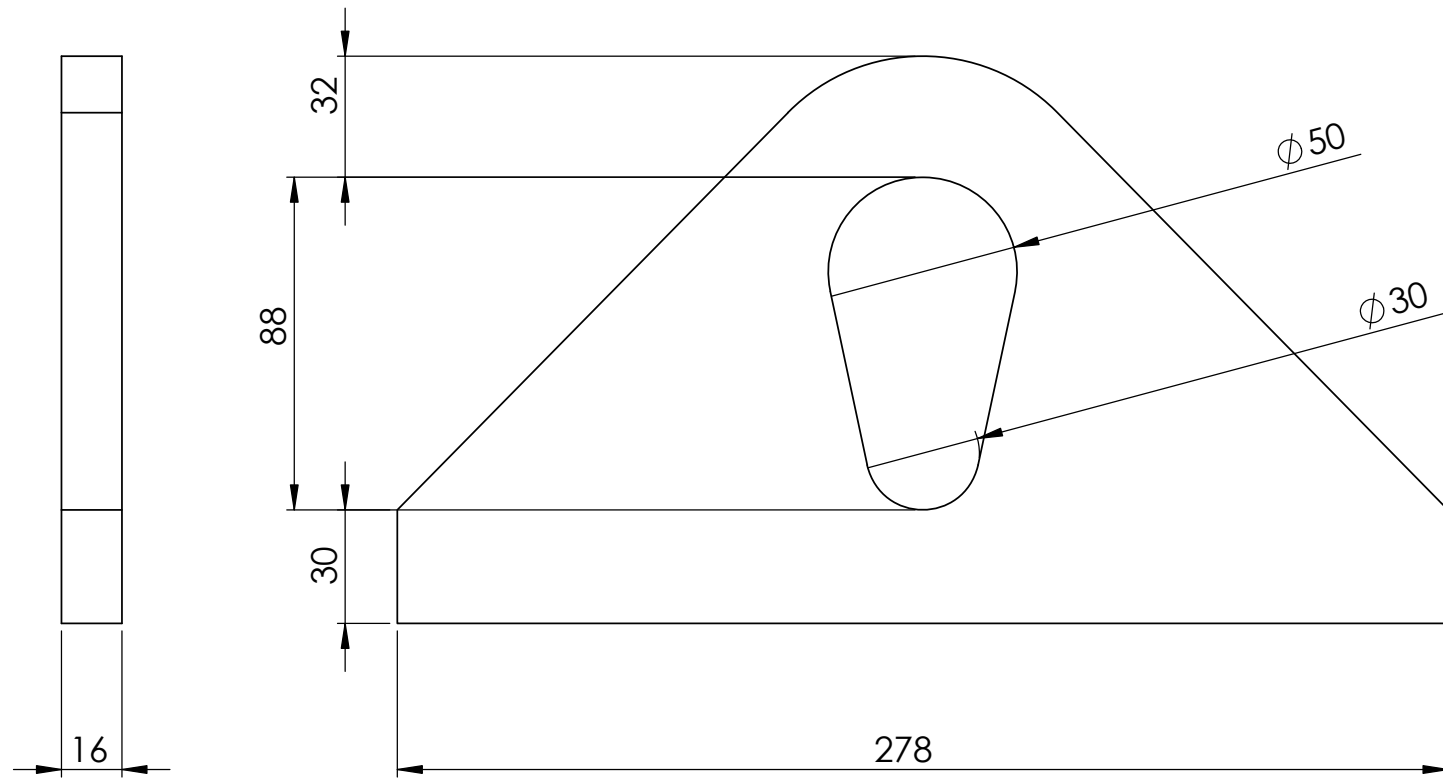
dhe MATERIALS HANDLING EQUIPMENT

CONFIDENTIAL
The information contained herein is the sole property of DHE MHE and must not be reproduced, copied or otherwise used in whole or part to assist in the making or to furnish any information for the making of drawings or parts except with the written permission of DHE MHE
©DHE MATERIALS HANDLING EQUIP 2019

DHE MATERIALS HANDLING EQUIPMENT
28 Aster Avenue, Carrum Downs, Vic, 3201
email: sales@dhemhe.com.au - Ph. 1300 067 281

FABRICATION	DATE 27/07/2023	MATERIAL: Mild Steel
	DRAWN	FINISH: P/C SAFETY YELLOW QTY PER SET:
TOLERANCES: ALL DIMENSIONS IN MM	MASS 31.93 kgs	DESCRIPTION BULK BAG LIFTER - DHE-BBCCA1
UNLESS STATED OTHERWISE ALL TOLERANCES TO BE AS FOLLOWS: +- 0.1 DRAWN TO AS1100	SCALE: DNS	PART NO DHE-BBCCA-1
	FILE NAME: BULK BAG LIFTER - DHE-BBCCA1	SHEET 2 OF 3 REV

SHEET SIZE
A3



CONFIDENTIAL

The information contained herein is the sole property of DHE MHE and must not be reproduced, copied or otherwise used in whole or part to assist in the making or to furnish any information for the making of drawings or parts except with the written permission of DHE MHE

©DHE MATERIALS HANDLING EQUIP 2019

FABRICATION

TOLERANCES:
ALL DIMENSIONS IN MM

UNLESS STATED OTHERWISE ALL TOLERANCES TO BE AS FOLLOWS:
+- 0.1

DRAWN TO AS1100

DATE
27/07/2023

DRAWN

MASS
31.93 kgs

SCALE: DNS

FILE NAME: BULK BAG LIFTER - DHE-BBCCA1

MATERIAL: Mild Steel

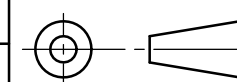
FINISH: P/C SAFETY YELLOW

QTY PER SET:

DESCRIPTION

BULK BAG LIFTER - DHE-BBCCA1

PART NO
DHE-BBCCA-1



PART NO
DHE-BBCCA-1

SHEET SIZE
A3

DHE MATERIALS HANDLING EQUIPMENT
28 Aster Avenue, Carrum Downs, Vic, 3201
email: sales@dhemhe.com.au - Ph. 1300 067 281

SHEET 3 OF 3 REV