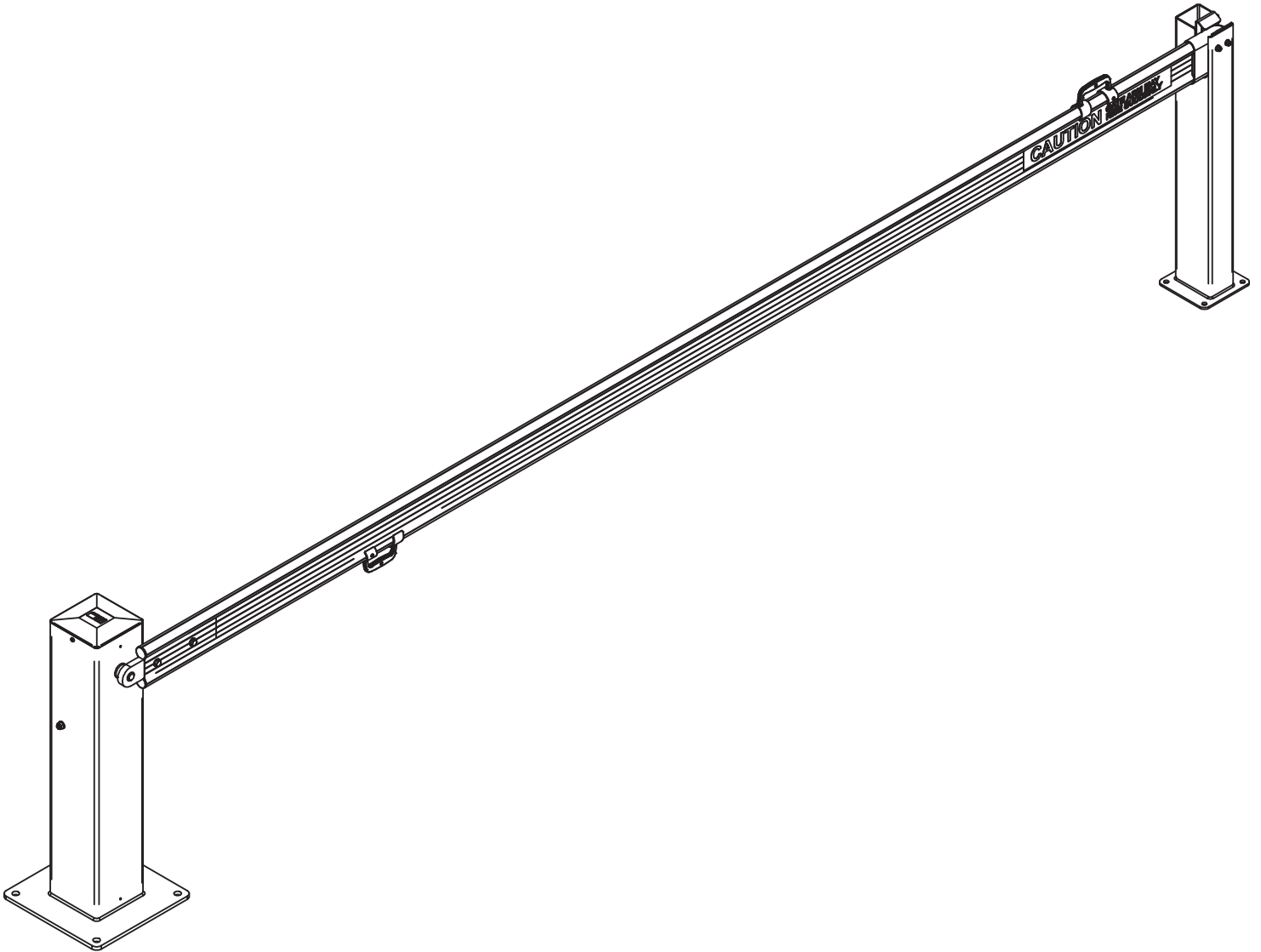




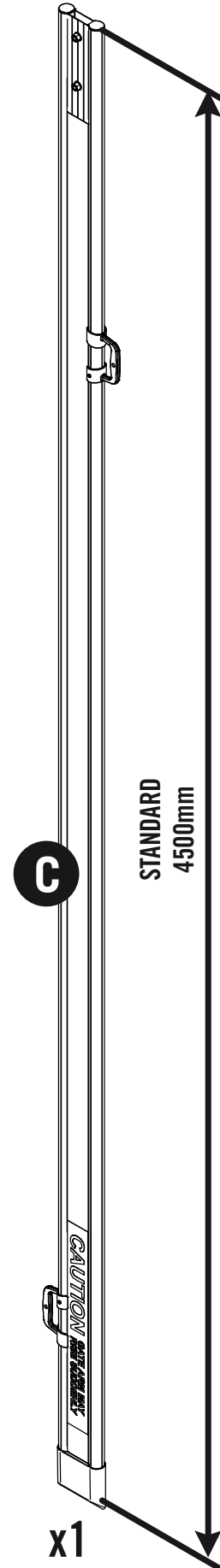
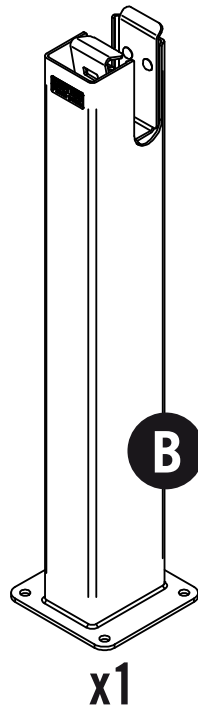
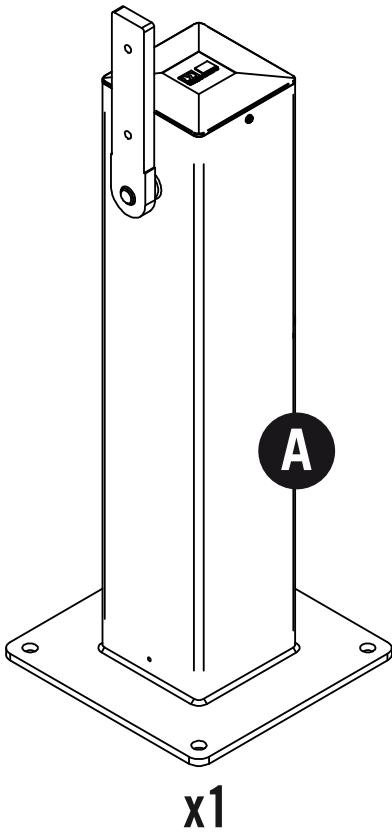
**BARRIERGROUP**



# **DOCK-SAFE MANUAL BOOM GATE**

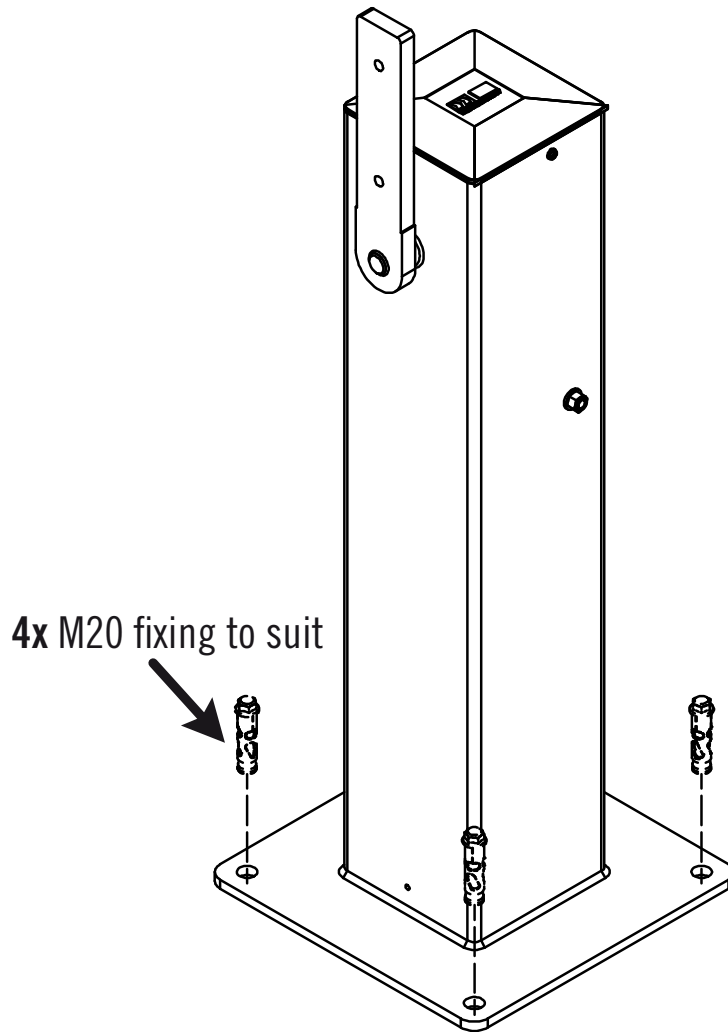
## **Installation Procedure**

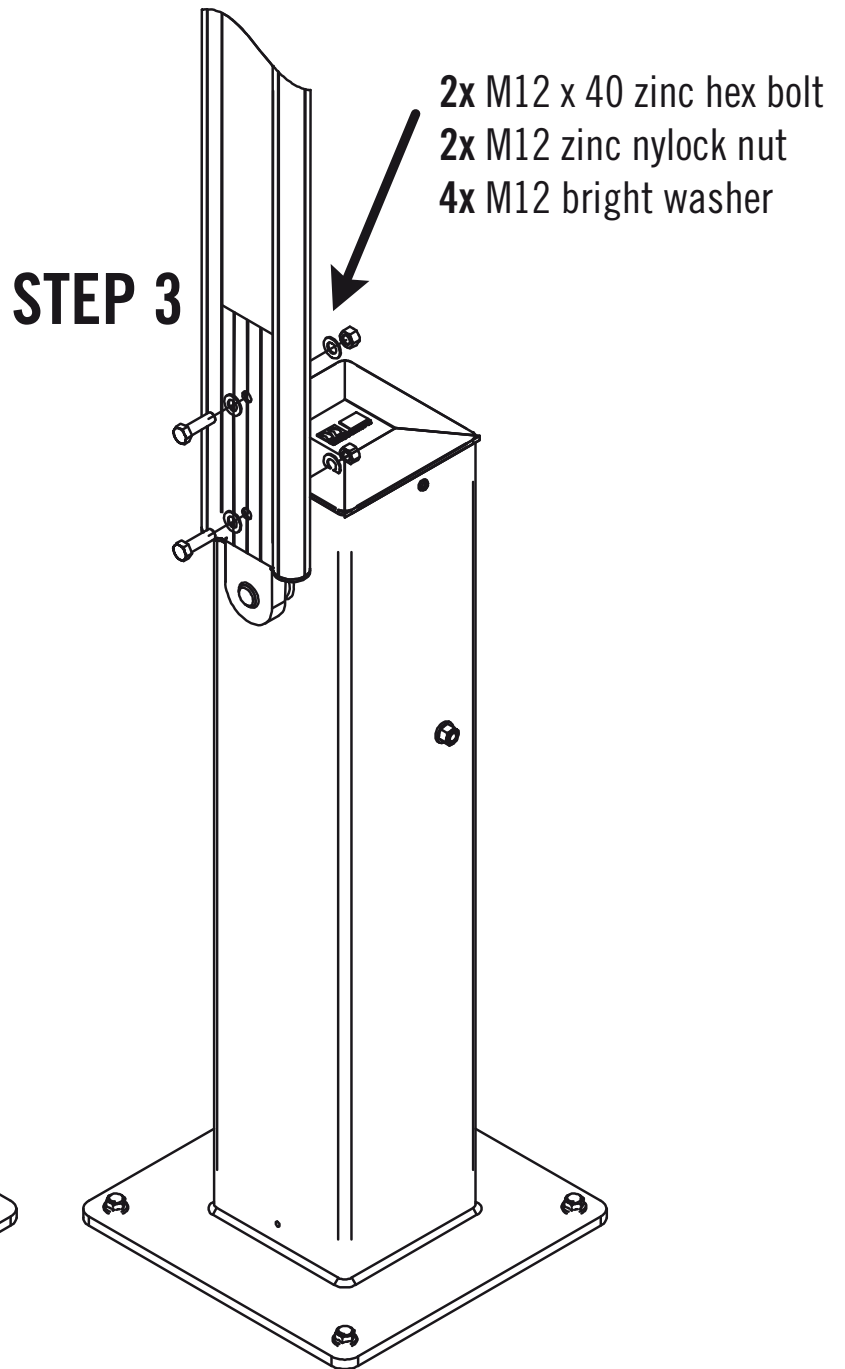
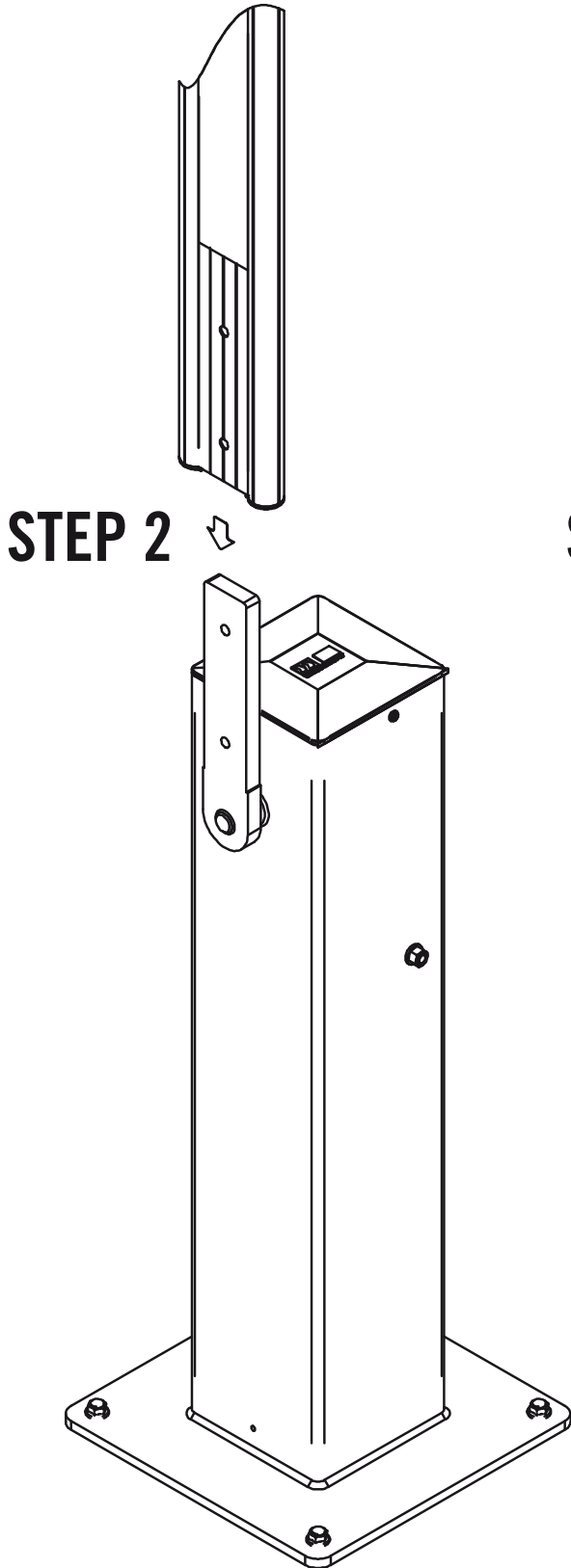
# CONTENTS



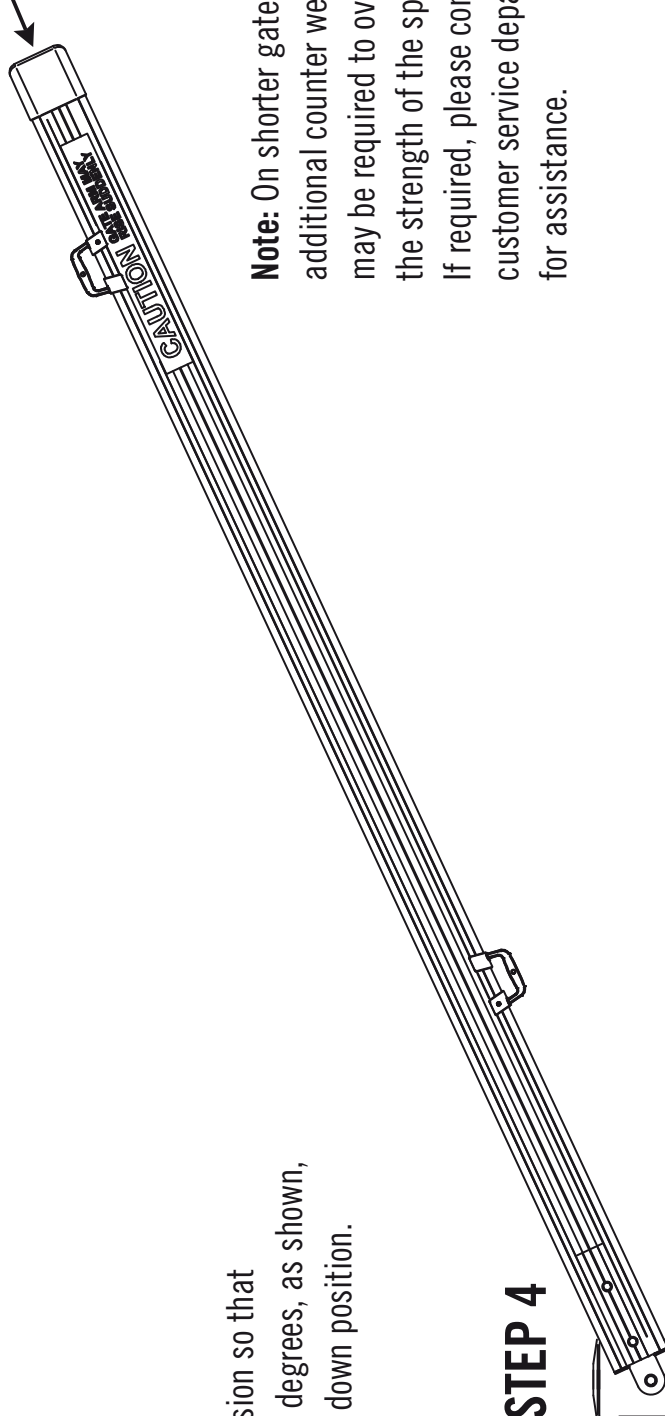
NOT TO SCALE

## STEP 1






Counter weights  
inserted here  
if required




**Note:** Adjust spring tension so that gate rises to approx. 30 degrees, as shown, when released from the down position.

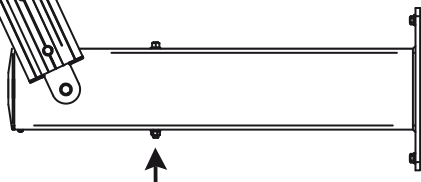
**Note:** On shorter gates, additional counter weights may be required to overcome the strength of the spring. If required, please contact our customer service department for assistance.

**STEP 4**

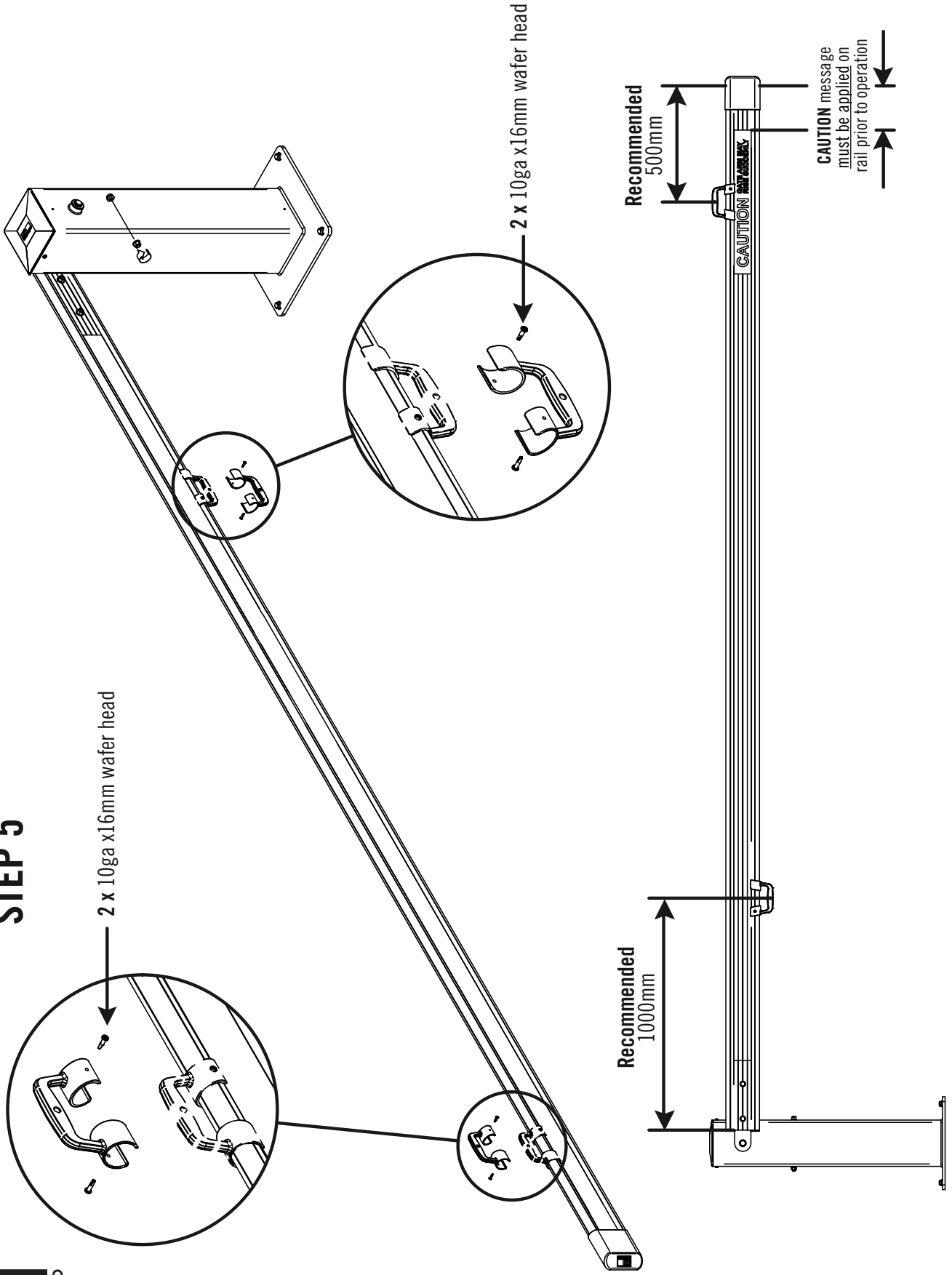

**CLOCKWISE TO INCREASE SPRING TENSION**


**ANTI-CLOCKWISE TO LOOSEN SPRING TENSION**

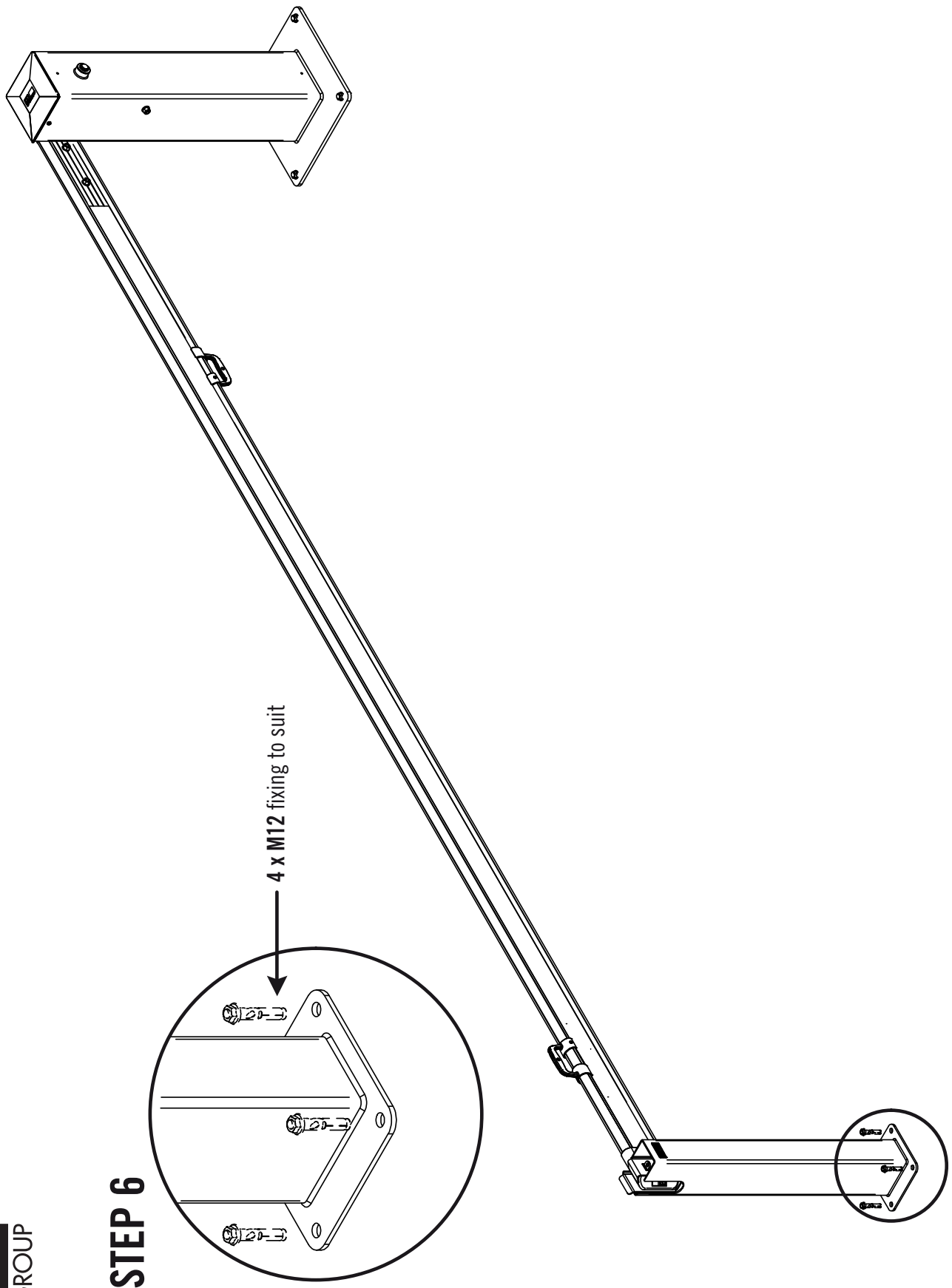
**GATE SPEED MUST BE ADJUSTED PRIOR TO FIRST USE**



# STEP 5



# STEP 6





**Important information.  
Read carefully.  
Keep this information for further reference.**

## **WARNING**

The gate will not provide optimum performance unless it is installed correctly. For satisfactory gate operation please follow the instructions carefully.

**NOTE:** No guarantee will be given or responsibility accepted by the manufacturers if the gate is not installed as instructed. Barrier Group **do not** warrant the work of 3rd party contractors.

### **BEFORE YOU START**

1. The installer must ensure the desired mounting point for the gate is level, plumb and rigid.
2. Use fixings appropriate to the material into which they are being fixed (not included).
3. Check all parts are included. Contact Barrier Group immediately if you are missing a piece.

### **AFTER INSTALLATION CARE**

Barrier Group recommends that you check the operation of your gate at least every six months (more regularly in extreme environments or frequent use). It is natural for spring assistance unit to lose some tension over time. Adjustment may be required. The adjustment should be carried out as per the attached instructions. Spring should be adjusted to achieve a gentle stop, to avoid potential damage.



[www.barriergroup.com.au](http://www.barriergroup.com.au)