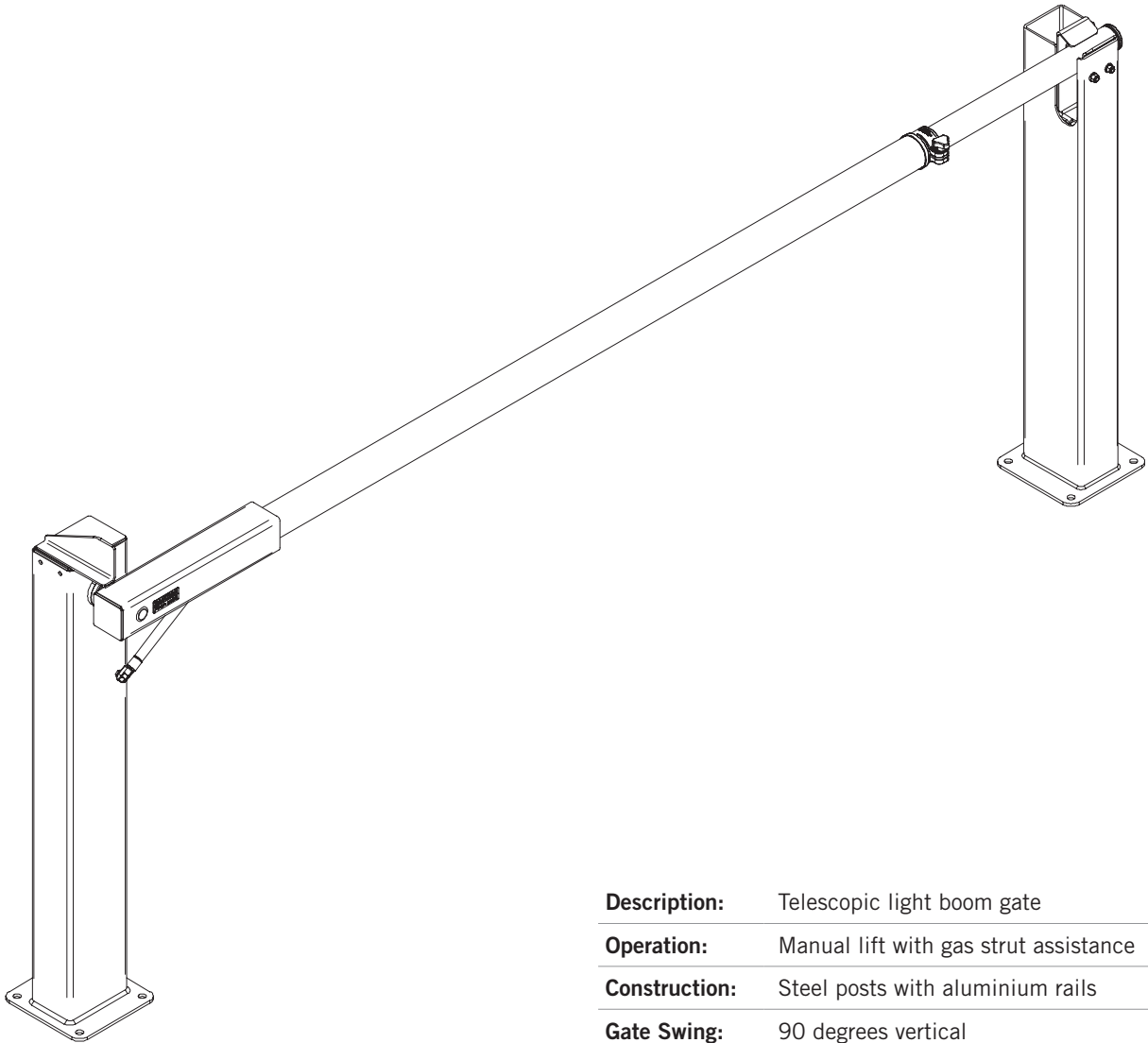


TELESCOPIC BOOM GATE



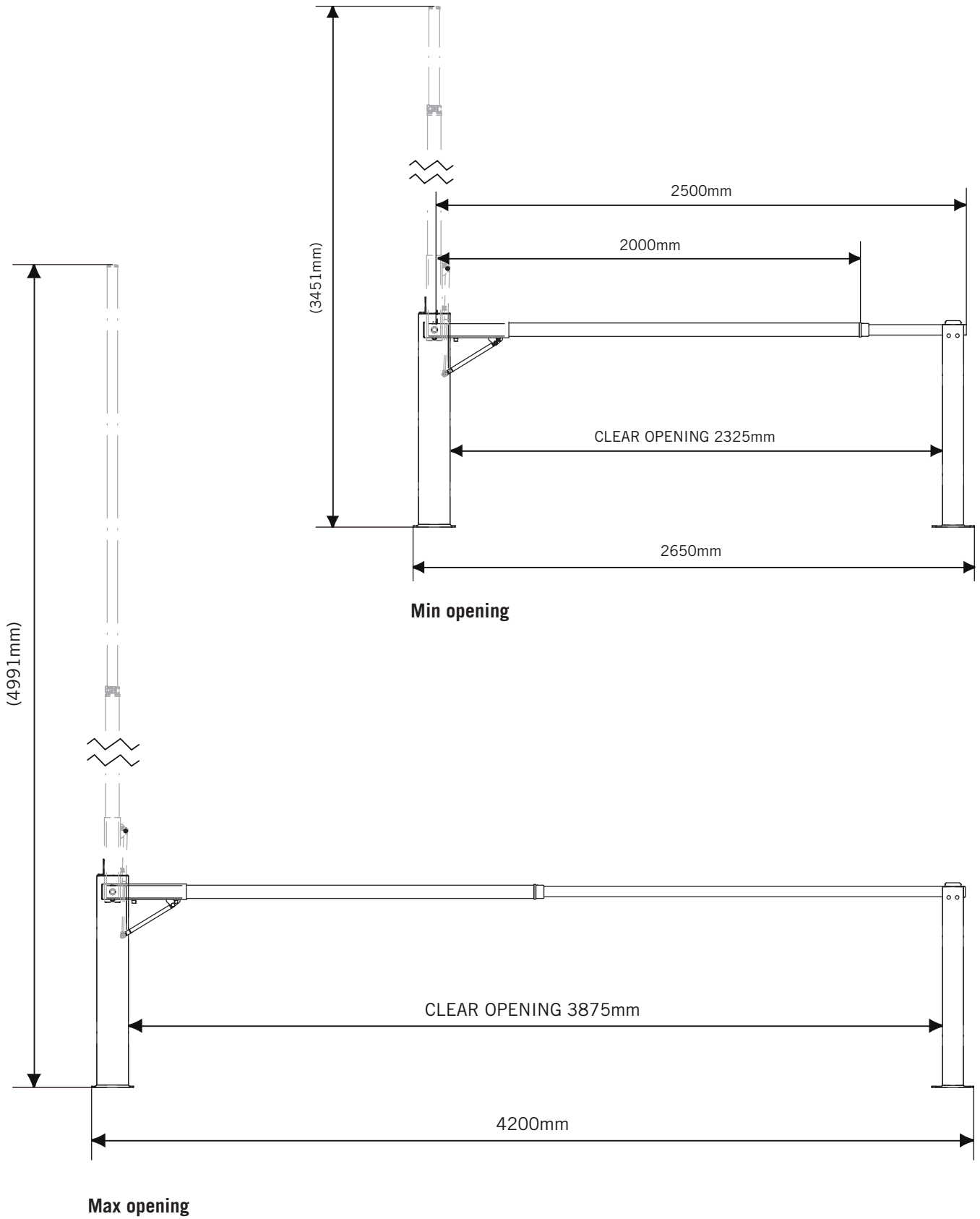
Telescopic Boom Gate

The TBG3800 is a strut assisted light boom gate designed for applications where there is restricted overhead space to accommodate a fixed length boom, or insufficient room for a swing gate. The telescopic boom can be locked off at a fixed length if the available height allows or retracted as the boom is raised. The gate can be used to span openings from 2.3 to 3.8 metres.

Description:	Telescopic light boom gate
Operation:	Manual lift with gas strut assistance
Construction:	Steel posts with aluminium rails
Gate Swing:	90 degrees vertical
Gate Stop:	Built-in
Receiver Post:	Included (optional wall mount receiver)
Max Opening:	3825mm
Min Opening:	2335mm
Mounting Type:	Surface mounted posts
Rail Type:	Aluminium telescopic 50dia. inner 63 dia. outer
Rail Height:	940mm to the centre of the rail
O/H Clearance	3450mm
Finish:	Powder coated safety yellow

Installation Procedure

Models: TBG3800



STEP 1:

Mounting the post in position to suit desired opening

Maximum and Minimum opening spacing as shown on previous page.

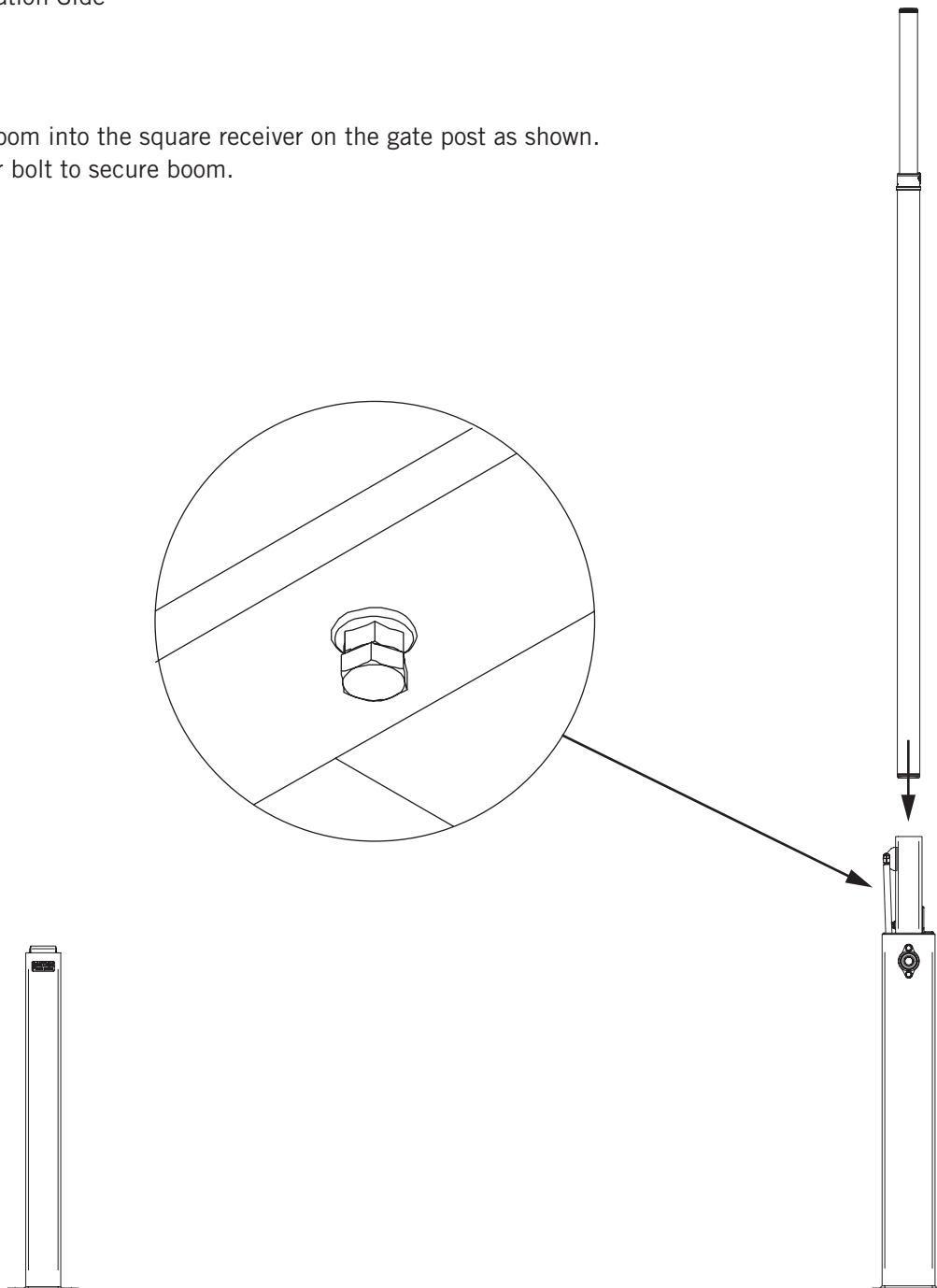
Drill the mounting holes using the posts as a guide and bolt them into in place with appropriate fixings to ensure they are securely mounted.



STEP 2:

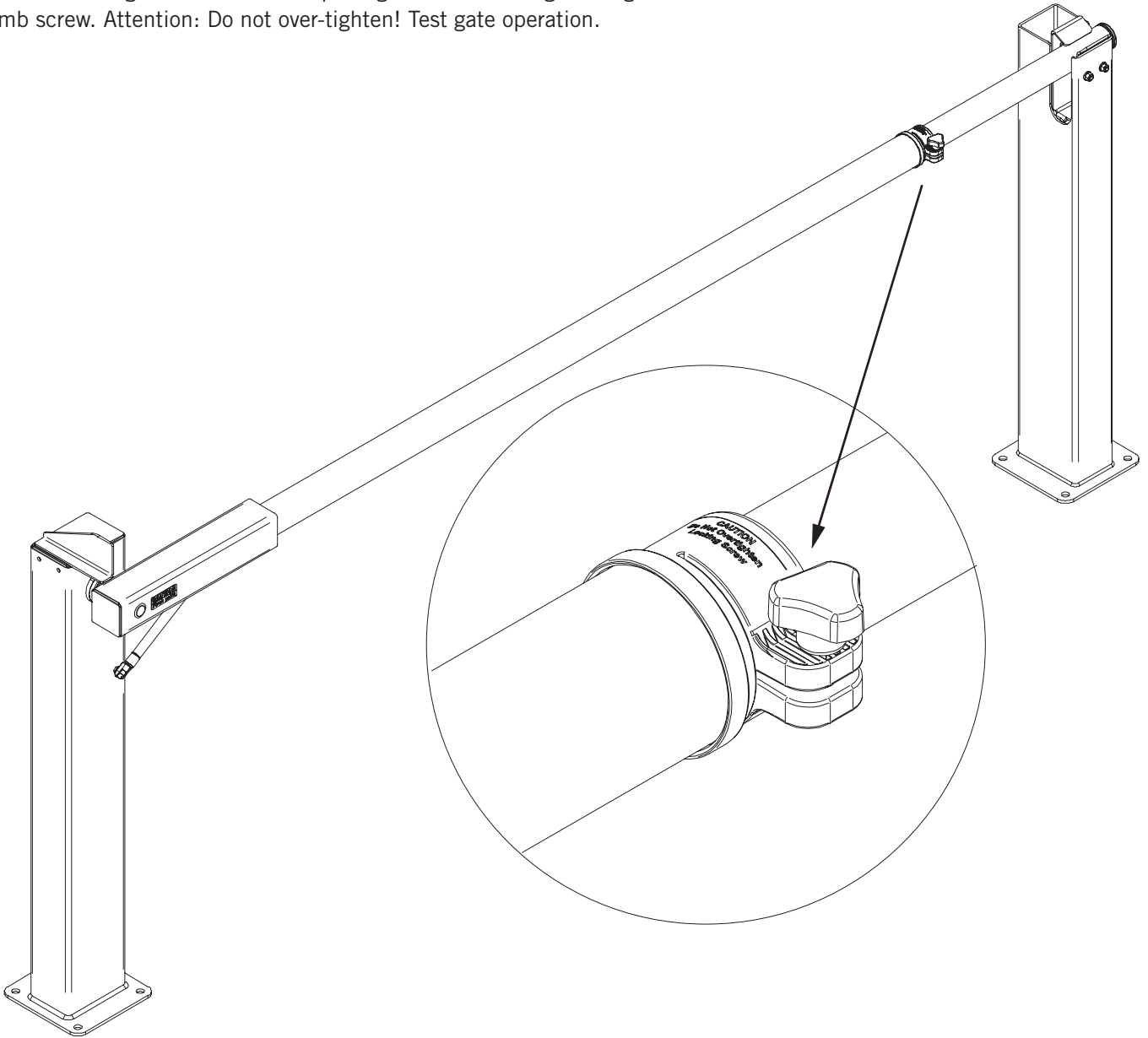
Insert assembled boom into the square receiver on the gate post as shown.

Tighten hex retainer bolt to secure boom.



STEP 3:

Adjust boom length to suit desired opening. Secure the length using the thumb screw. Attention: Do not over-tighten! Test gate operation.



**Important information.
Read carefully.
Keep this information for further reference.**

WARNING

The gate will not provide optimum performance unless it is installed correctly. For satisfactory gate operation please follow the instructions carefully.

NOTE: No guarantee will be given or responsibility accepted by the manufacturers if the gate is not installed as instructed. Barrier Group do not warrant the work of 3rd party contractors.

BEFORE YOU START

1. The installer must ensure the desired mounting point for the gate is level, plumb and rigid.
2. Use fixings appropriate to the material into which they are being fixed (not included).
3. Check all parts are included. Contact Barrier Group immediately if you are missing a piece.

AFTER INSTALLATION CARE

Barrier Group recommends that you check the operation of your gate at least every six months (more regularly in extreme environments or frequent use). It is natural for spring assistance unit to lose tension over time. Adjustment may be required.