

Thank you for purchasing this TradeQuip product. Manufactured to a high standard this product will, if used according to these instructions and properly maintained, give you years of trouble free performance.



IMPORTANT: PLEASE READ THESE INSTRUCTIONS CAREFULLY. NOTE THE SAFE OPERATIONAL REQUIREMENTS, WARNINGS & CAUTIONS. USE THE PRODUCT CORRECTLY AND WITH CARE FOR THE PURPOSE FOR WHICH IT IS INTENDED. FAILURE TO DO SO MAY CAUSE DAMAGE AND/OR PERSONAL INJURY, AND WILL INVALIDATE THE WARRANTY. PLEASE KEEP INSTRUCTIONS SAFE FOR FUTURE USE.

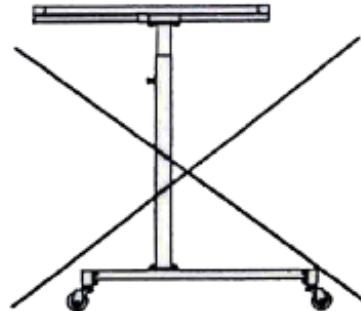
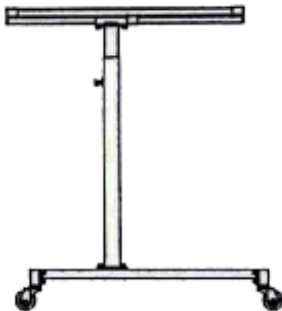
1. SAFETY INSTRUCTIONS

- ✓ Only use this Mobile Workshop Table for the purpose for which it has been designed.
- ✗ Do not modify any component of this Mobile Workshop Table.
- ✓ When servicing, use only TradeQuip identical replacement parts. Use of any other parts will void the warranty.
- ✓ Safe Working Capacity 22kg
- ✗ Do not extend table beyond extension warning line located on table pole.
- ✓ This product is intended for indoor use only.



2. CONTENTS & SPECIFICATIONS

- Safe Working Capacity 22kg
- When lowering the Mobile Workshop Table position hold table with one hand and slowly release pressure of table top adjusting screw with the other hand.
- Assemble table top with the long side of the table top matching the long side of the base as shown in illustration below. To avoid tipping do not rotate table beyond this point.



- When positioning table over painted or valuable work areas, ensure the table locking device is secure and the table is free to move clear of objects located underneath table top.
- Do not extend table beyond extension warning line located on table joining frame.

Part #	Description	QTY
1	Small Pad	3
2	Large Pad	1
3	Table Top	1
4	Table Top Mounting Bolt	4
5	Spring Washer	16
6	Table Top Mounting Frame	1
7	Table Top Adjusting Screw	1
8	Table Top Base Assembly	1
9	Table Joining Frame	1
10	Front Wheel Frame	1
11	Joining Frame Securing Bolt	12
12	Rear Wheel Frame	1
13	Swivel Castors	4

