



# ARIA 350SP

DIGITAL STEAM PRESS

PRESSE À VAPEUR NUMÉRIQUE

PLANCHA DIGITAL A VAPOR

INSTRUCTION MANUAL

GUIDE D'UTILISATION

MANUAL DE INSTRUCCIONES



ENGLISH  
FRANÇAIS  
ESPAÑOL

01  
15  
29

ARIA 350SP  
INSTRUCTION MANUAL  
ENGLISH

## RELIABLE. RIGHT THERE WITH YOU.

At Reliable, we do what we love, and take pride in doing it right. You want what's best for the people, places and things that matter in your life - from where you live to what you wear. So do we. From the start, we approach every product with a craftsman's attention to detail and passion for making it right. Quality, functionality, design and customer service play an equally important part in delivering what's right for you. The Aria's large pressing surface, impressive steam volume and accurate digital thermostat ensure that even the toughest fabrics will be wrinkle-free and pressed just right.

For your safety and to fully enjoy the advantages of this product, please take a few minutes to read all the important safeguards and care instructions. Keep this manual handy and review the product warranty for your reference.

# IMPORTANT SAFETY INSTRUCTIONS

## READ ALL INSTRUCTIONS BEFORE USE

1. To protect against the risk of electric shock, do not immerse the appliance in water.
2. Do not let the cord hang over the edge of counter.
3. Do not allow the cord to touch hot surfaces.
4. Always allow the appliance to cool for at least thirty minutes before storing.
5. Always put the appliance in a secure place on a table or counter when using.
6. Do not move the appliance without unplugging it first.
7. The appliance has very hot surfaces. Do not allow unsupervised children to use the appliance.
8. Always disconnect the appliance from the outlet before filling with or removing water. Be careful to avoid spilling water on the appliance when filling.
9. Use distilled water in the appliance. Do not use perfumed or products containing alcohol in the appliance.
10. Always disconnect the appliance when not in use.
11. Do not use the appliance if the cord gets damaged. Return the appliance or have the cord repaired by the manufacturer, his service agent or a similarly qualified person.
12. Do not operate the appliance if it has been dropped or damaged. Do not disassemble the appliance. Incorrect reassembly can cause a risk of electric shock. Send it to an authorized service center for repair.
13. Do not operate another high wattage appliance on the same circuit.
14. This appliance must be grounded. Do not alter the plug or attempt to defeat this feature.
15. Be careful. Burns can occur from touching hot metal parts, hot water or steam.
16. This appliance is not intended for use by young children or infirm persons unless they have been adequately supervised by a responsible person to ensure that they can use the appliance safely.
17. Young children should be supervised to ensure that they do not play with the appliance.

FOR HOUSEHOLD USE ONLY.  
SAVE THESE INSTRUCTIONS IN A SAFE  
PLACE FOR FUTURE REFERENCE.

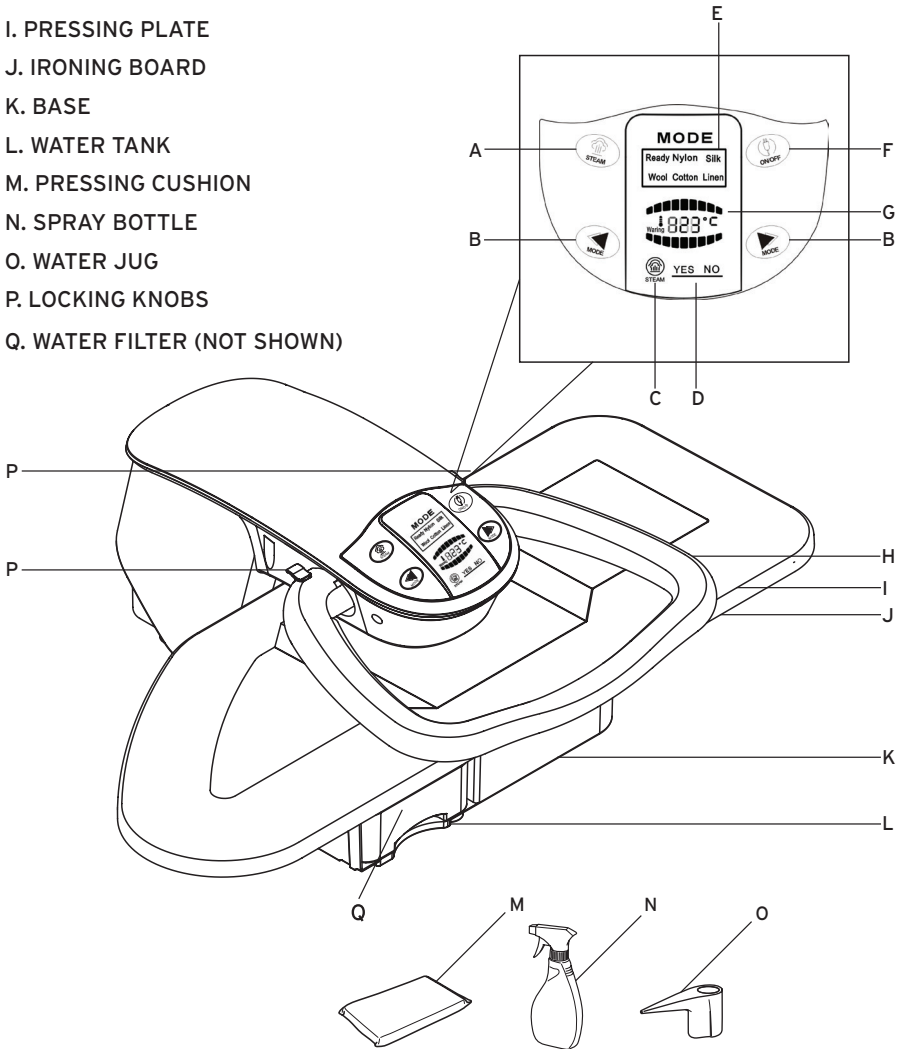
## FEATURES

- Your new Steam Press provides clean, professional results every time!
- Multiple dry-heat and steam settings for all types of fabric
- Burst setting removes stubborn wrinkles
- Variable temperature selection
- Over 100lbs of even pressure ensures sharp, long lasting creases
- Easy-to-use one hand operation
- Protects delicate fabrics like silk
- Non-stick padded ironing board cover
- Locking child-proof handle

*IMPORTANT: When you want to dispose of the appliance, NEVER throw it in the garbage. Instead, go to your closest recycling station or waste collection centre for subsequent treatment. In this way, you will be contributing to looking after the environment.*

# 350SP KEY FEATURES

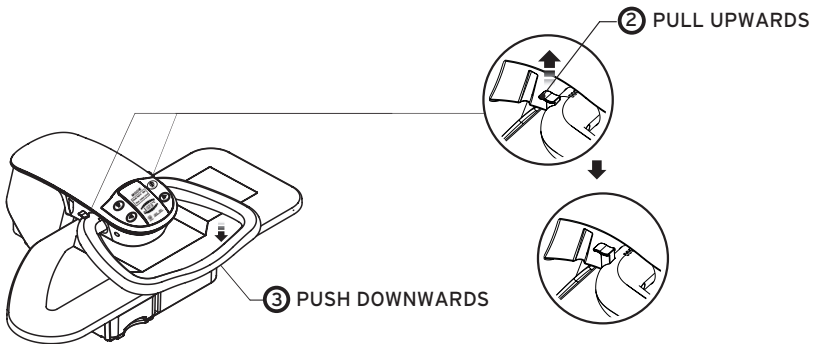
- A. STEAM BURST FUNCTION BUTTON
- B. FABRIC SELECTION MODE
- C. STEAM ON/OFF INDICATOR
- D. STEAM READY INDICATOR
- E. FABRIC SELECTION INDICATOR
- F. POWER ON/OFF BUTTON
- G. TEMPERATURE INDICATOR
- H. PRESSING HANDLE
- I. PRESSING PLATE
- J. IRONING BOARD
- K. BASE
- L. WATER TANK
- M. PRESSING CUSHION
- N. SPRAY BOTTLE
- O. WATER JUG
- P. LOCKING KNOBS
- Q. WATER FILTER (NOT SHOWN)





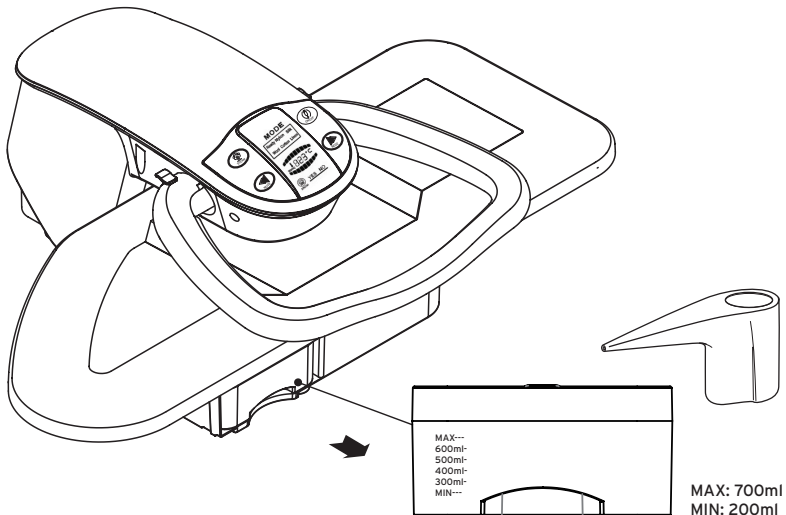
# ASSEMBLY AND USE

1. Set press on a flat, level surface.
2. Lift both locking knobs (P) upwards to the "unlock" position.
3. Gently apply downward pressure to the handle, then release. The press will automatically face upwards and remain in a lifted position.



4. Before plugging in the press, fill the detachable water tank (L) using the water container (O) provided. When finished, slide the tank back into place. Water is only necessary when using the steam burst button (A).

**NOTE:** When filling the water tank, distilled water is preferred, but not required.



FABRIC	NYLON	SILK	WOOL	COTTON	LINEN
TEMPERATURE	65°C	95°C	125°C	155°C	185°C
	149°F	203°F	257°F	311°F	365°F
STEAM	No	No	Yes	Yes	Yes

4. Plug in and press the power on/off button (F) located on the LED digital touch screen control panel. A power on indicator light (H) will appear. Be sure that the pressing plate (I) is in an open position when the unit is initially turned on.
5. Use the mode buttons (B) to choose the fabric setting. It may take a few minutes to reach the chosen temperature when decreasing or increasing settings.

*NOTE: It takes approximately 12 minutes for the press to reach the linen temperature.*

**WARNING:** During initial use, or after a long period of time without use, press the steam burst button (A) continuously for several seconds to clear the pressing plate of residual water or calcium buildup in the system before use.

**CAUTION:** Be sure to examine the garment label before selecting a fabric setting. If you cannot determine a fabric type, select the lowest setting and increase as needed. It is best to start with the most delicate fabrics first to avoid damage to your fabrics.

6. Once the press has reached the desired temperature, the green fabric setting lights will stop flashing. Begin pressing. Be sure to use the provided pressing cushion (M) to flatten out gathered areas such as sleeves, darts and yokes. If needed, use the spray bottle (N) for dampening the fabric before pressing.
7. Pull down the pressing handle (I) and press the pressing plate (H) and the ironing board (J) together. Hold for a few seconds, then lift to separate the pressing plate (I) and ironing board (J).
8. To use steam, adjust the fabric selection mode to the wool, cotton or linen settings. The steam ready light (D) will appear and you will be able to press the steam burst button (A) for steaming your garments.
9. Pull down the pressing handle directly above the garments (about 1 to 2 inches above the fabric) and press the steam burst button (A). Press the garment. DO NOT activate the steam burst button (A) with the unit completely closed; you may damage your press.

**CAUTION:** Do not hold down the press for longer than 5 seconds. If using the steam burst button, do not fully close the press down onto fabric. If you hold down the press for too long, you may cause your garments to wrinkle because they are too hot. If this should happen, spray down the garment with water and start over.

*CAUTION: When using steam, do not hold the steam button for longer than 3 seconds. If steam is used for too long, you will cause the press temperature to drop and will have to wait for it to reach the initial desired setting. The drop in temperature cannot be avoided as the burst of steam cools down the pressing plate instantly. By using steam in short bursts, you will help to eliminate the temperature drop and thus be able to press quicker and more efficiently.*

*WARNING: During initial use or after a long period of time without use, press the steam burst button continuously for several seconds to clear the pressing plate of residual water or calcium buildup in system before use.*

*NOTE: Some garments have details such as darts, curved seams, and shoulder pads which should not be pressed flat. Use the pressing cushion provided for use in these areas.*

*WARNING: Do not attempt to lower the pressing plate to its lowest position or lock the press with the pressing cushion in between. You may damage your press by doing so.*

# BASIC IRONING

## TABLE CLOTH

Fold the length of the fabric in either half or thirds and place on the ironing board.

Accordion pleat the length on the ironing board and move the pleated item into the large open space behind the ironing board.

Move the tablecloth towards you, then press.

Continue moving forward until the entire item is pressed.

To store, fold it and place it on the ironing board and close the press. Apply minimal pressure. If necessary, refold the tablecloth to press any areas that were hanging off the sides of the ironing board. Repeat the pressing procedure.

Hint: Use the same method for most large items, such as duvet covers, bed sheets, pillowcases, table runners, towels, blankets, quilts, etc.

## PANTS

Waistband- Place the top of the pants on the press. Press the pressing board down over the pants to the ironing board. If using the pressing cushion, place the waistband of the pants around the board on top of cushion. Arrange pleats. Rotate pants to press entire waistband.

Side Pockets- Slide pockets over the pressing cushion and over the pressing board then press.

Inseam- Place the inside of the crotch area on the board facing up. Align with the slanted left side of the board. Press.

Legs- Place the top of the pant leg half way on the ironing board. Press the front crease. Then, place the bottom of the pant leg half way on the ironing board. Allow the hem or cuff to hang off the end of the board. Press. Follow the same method for pressing back crease.

Note: The hems of the pants can be pressed by placing them both on the ironing board and applying a small amount of pressure.

## SHIRT AND BLOUSES

Yoke- Arrange the shoulders around the slanted left side of the board. Let the collar hang off the edge. Press.

Cuffs- Place the cuffs and plackets around the edges of the ironing cushion. Arrange any pleats. Press.

Sleeves- Place the garment to the left side of the press with the collar towards you. Place the first sleeve on the ironing board with the curve of the garment fitted to the slanted left side of the board (the second sleeve will lay in front of the press off the board). Press. Remove the first sleeve and place the second sleeve on the board. Press.

**Body-** Put the sleeves together and fold the shirt in half. Place it at the back of the ironing board away from you, extending the sleeves behind the board on the right. Bring the shirt front with the buttons forward first. With your right hand, hold the collar so that the curved edge of the neck opening is flat against the ironing board. Do not release the collar until you have lowered the pressing plate. Press. Keep pulling the shirt forward until you have worked the whole way around.

**Collar-** Place the collar on the board, spray and press. Fold the collar in half, spray then press.

**Shirt Tail-** Button the garment and place the shirt tail squarely on the ironing board. Press. Hang the shirt on a hanger, or fold it. It is a good idea to let it cool before folding. Use the ironing cushion to retouch any areas.

**Hint:** Use this same procedure on other fitted garments such as blouses, fitted shirts, jackets, etc.

## T-SHIRT

Place t-shirt flat on the ironing board. Depending on the shape, begin with the sleeves.

**Note:** If your t-shirt has rhinestones or an application on it, press with the decorated side face down on the board or turn it inside out.

## PLEATED SKIRT

Place the pressing cushion under the waistband and press. Rotate skirt until the entire waistband is pressed.

Slip the skirt over the board. Arrange the pleats. Press. Pleats may need to be pinned to the ironing board cover. Do not use plastic head pins when using the press. Rotate the skirt until all pleats are pressed.

## JACKET

**Sleeves without creases-** Fold the sleeve on the seam line and place the seam line flat on the board. Allow the top edge of the sleeve to hang off the edge of the board. Press.

**Lapels-** Place lapels flat, diagonally on the ironing board. Press. Use the ironing cushion if needed.

## TIES AND RIBBONS

Place the tie lengthwise on the board. Press. You can also place them horizontally on the board and close the press then pull the tie or ribbon through it.

## EMBROIDERY ITEMS

Place the garment face down on the ironing board to reduce wear and prevent damage.

If needed, place a towel over the garment then press. This will protect stitching, rhinestones, etc.

*CAUTION: When ironing embroidered, stitched items or garments with rhinestones, sample an area to see if the steam or heat will affect the area and proceed with caution.*

## STORING AND MAINTENANCE

**CAUTION:** Prior to storing or providing maintenance to your steam press, isolate the unit by removing the cord from the power socket and avoid immersing the unit in water.

1. Water may be left in water tank reservoir; however, it is recommended that if the machine will be stored for a long period of time, any left over water in the unit should be drained.
2. Wait approximately 30 minutes for the press to cool down before storing. Once cooled, lower the pressing plate onto the ironing board; pull down the pressing handle completely, then push the locking knobs in, downwards to the "locked" position.
3. Wipe the steamer with a soft cloth when/if necessary.
4. Store in a cool, dry place.
5. Replace the water filter when necessary. Additional filters can be ordered at [www.reliablecorporation.com](http://www.reliablecorporation.com)

## CLEANING

1. Fill the water tank using water container provided.
2. Place the pressing cushion in the center of the ironing board.
3. Place a clean towel over the pressing cushion and the ironing board.
4. Set the fabric temperature selection control to the highest setting (Linen). When the steam light illuminates, gently lower the pressing plate onto the pressing cushion.
5. Press the steam burst button 6 to 7 times. Be careful to avoid touching the hot metal surfaces and avoid leaving hands under the ironing press when using the steam burst button.
6. Once the pressing plate has cooled down you can clean the surface with a damp cloth. **DO NOT** use any abrasives on the pressing plate. This pressing plate has a non-stick coating that will assist in cleaning.
7. The ironing board cover is removable and can be rinsed with mild detergent and warm water. You may purchase replacement covers on our website at: [www.reliablecorporation.com](http://www.reliablecorporation.com).

# PRODUCT SPECS

ARIA 350SP

Voltage supply: 120, 60 Hz

Output: 1800 W

Water capacity: 23.70 fl oz

Cord: 8 ft.

Weight: 14kg

# TROUBLESHOOTING

**CAUTION:** Prior to maintaining your steam press, isolate the unit by removing the cord from the power socket.

PROBLEM	SOLUTION
LED is not on	<ul style="list-style-type: none"><li>• Ensure that the press power cord is correctly plugged into a 120V AC power outlet only.</li><li>• Ensure circuit breaker is operational.</li><li>• Try operating the press from another power outlet.</li></ul>
No heat	<ul style="list-style-type: none"><li>• Make sure the temperature has been selected.</li><li>• Pressing plate has been left in a raised position for more than 20 minutes and automatic shut-off has engaged.</li></ul>
No steam	<ul style="list-style-type: none"><li>• Water may be low, refill water tank.</li><li>• Temperature setting is too low to activate steam. Select a higher temperature and wait for the ready light to illuminate before steaming.</li></ul>
Buttons are not working properly	<ul style="list-style-type: none"><li>• Unplug the unit from the power outlet for 5 minutes then plug back in.</li></ul>
The machine cannot be opened by the handle of the pressing plate	<ul style="list-style-type: none"><li>• Pull the locking knobs upwards</li></ul>
Steam burst output is weak	<ul style="list-style-type: none"><li>• Pressing plate needs to be cleaned. Refer to cleaning section of the manual for the correct procedure.</li></ul>



Reliable Corporation ("Reliable") warrants to original purchaser of its products that every product sold by Reliable (a "Reliable Product") is free from defects in material and workmanship for a period of one year from the date of purchase if properly used and maintained. Subject to the conditions and limitations set forth below, Reliable will either repair or replace any part of a Reliable Product that proves defective by reason of improper workmanship or materials. If the defective Reliable Product is no longer available and cannot be repaired effectively or replaced with an identical model, Reliable shall replace the defective Reliable Product with a current Reliable Product of equal or greater value. Repaired parts or replacement products will be provided by Reliable on an exchange basis, and will be either new or refurbished to be functionally equivalent to new. If Reliable is unable to repair or replace a Reliable Product, it will refund the current value of that Reliable Product at the time the warranty claim is made.

This limited warranty does not cover any damage to a Reliable Product that results from improper installation, accident, abuse, misuse, natural disaster, insufficient or excessive electrical supply, abnormal mechanical or environmental conditions, wear and tear resulting from normal use of the product, or any unauthorized disassembly, repair, or modification. This limited warranty does not extend to any indirect, consequential or incidental damages that may be suffered by a user or from the use of a Reliable Product, including without limitation, any liability for third party claims for damage, and is limited to the amount paid by the original purchaser Reliable Product with respect to which this limited warranty protection applies. This limited warranty does not apply with respect to products that have been altered or which are missing serial numbers or for products not purchased directly from Reliable or a dealer authorized by us to sell Reliable Products.

This limited warranty is the only warranty that applies to any Reliable Product, supersedes any and all terms that may be contained in any other document or purchase order and may not be altered or amended except expressly in writing by Reliable.

To obtain a repair or replacement under the terms of this warranty, please contact our customer service group at 1-800-268-1649 or at [support@reliablecorporation.com](mailto:support@reliablecorporation.com). You will be required to submit an original receipt via fax or e-mail. The receipt must reflect that you are the original purchaser, the product was bought directly from us or from an authorized Reliable dealer and that the warranty claim is being made within the warranty period. You will be issued a return authorization number (RA#) and asked to ship the defective product together with proof of purchase and RA#, prepaid insured to the following address:

Reliable Corporation, 5-100 Wingold Avenue, Toronto, ON M6B 4K7. Freight collect shipments will be refused. The risk of loss or damage in transit will be borne by the customer. Once Reliable receives the defective product, it will initiate the repair or replacement process.

If you have any questions regarding this warranty, you may write to:

Reliable Corporation  
100 Wingold Avenue, Unit 5  
Toronto, Ontario  
Canada M6B 4K7  
[www.reliablecorporation.com](http://www.reliablecorporation.com)





ARIA 350SP  
MANUEL D'INSTRUCTIONS  
FRANÇAIS

## FIABLE. TOUJOURS LÀ POUR VOUS.

Chez Reliable, nous aimons ce que nous faisons, et nous sommes fiers de ce que nous accomplissons. Vous voulez ce qu'il y a de mieux pour les gens, les endroits et les choses qui importent dans votre vie - depuis l'endroit où vous habitez jusqu'aux vêtements que vous portez. Nous aussi. Depuis le début, nous concevons chaque produit avec l'attention qu'un artisan porte aux détails et sa passion de le réaliser parfaitement. La qualité, la fonctionnalité, la conception et le service à la clientèle jouent des rôles également importants pour vous fournir ce qui vous correspond. La grande surface de presse d'Aria, son impressionnant volume de vapeur et son thermostat numérique précis assurent que même les tissus les plus difficiles n'auront aucun pli et seront parfaitement pressés.

Pour votre sécurité et pour profiter pleinement des avantages de ce produit, veuillez prendre quelques minutes pour lire toutes les mises en garde et les instructions d'entretien importantes. Conservez ce manuel à portée de main et consultez la garantie du produit à titre de référence.

# CONSIGNES DE SÉCURITÉ IMPORTANTES

LISEZ TOUTES LES CONSIGNES DE SÉCURITÉ AVANT L'UTILISATION DE L'APPAREIL

1. Afin de vous protéger d'un risque de choc électrique, n'immergez pas le fer à repasser dans l'eau.
2. Ne laissez pas le cordon d'alimentation pendre sur le bord d'un comptoir.
3. Ne laissez pas le cordon d'alimentation toucher des surfaces chaudes.
4. Laissez toujours l'appareil refroidir pendant au moins trente minutes avant de le ranger.
5. Placez toujours l'appareil en lieu sûr sur une table ou un comptoir lors de son utilisation.
6. Ne déplacez pas l'appareil sans l'avoir débranché.
7. L'appareil a des surfaces très chaudes. Ne laissez pas des enfants utiliser l'appareil sans surveillance.
8. Débranchez toujours l'appareil avant de le remplir d'eau ou de le vider. Évitez de renverser de l'eau sur l'appareil lorsque vous le remplissez.
9. Utilisez de l'eau distillée dans l'appareil. N'utilisez pas des produits parfumés ou contenant de l'alcool dans l'appareil.
10. Débranchez toujours l'appareil lorsqu'il n'est pas utilisé.
11. N'utilisez pas l'appareil si le cordon d'alimentation est endommagé. Renvoyez l'appareil ou faites réparer le cordon d'alimentation par le fabricant, son agent de service ou une personne qualifiée.
12. N'utilisez pas l'appareil s'il est tombé ou a été endommagé. Ne démontez pas l'appareil. Le remontage inexact peut causer des chocs électriques. Envoyez l'appareil à un centre de service autorisé pour le faire réparer.
13. Ne faites pas fonctionner simultanément un autre appareil de grande puissance sur le même circuit.
14. Cet appareil doit être mis à la terre. Ne modifiez pas la prise et ne tentez pas d'annuler cette caractéristique de sécurité.
15. Soyez prudent. Vous pouvez vous brûler en touchant les parties métalliques chaudes ou avec l'eau chaude et la vapeur.
16. Cet appareil n'est pas conçu pour être utilisé par de jeunes enfants ou des personnes handicapées, sauf s'ils sont supervisés par une personne responsable pour s'assurer qu'ils utilisent l'appareil de façon sécuritaire.
17. Il convient de surveiller les jeunes enfants afin de garantir qu'ils ne jouent pas avec l'appareil.

RÉSERVÉ À L'USAGE DOMESTIQUE  
UNIQUEMENT.

CONSERVEZ CES INSTRUCTIONS  
DANS UN LIEU SÛR POUR TOUTE  
CONSULTATION ULTÉRIEURE.

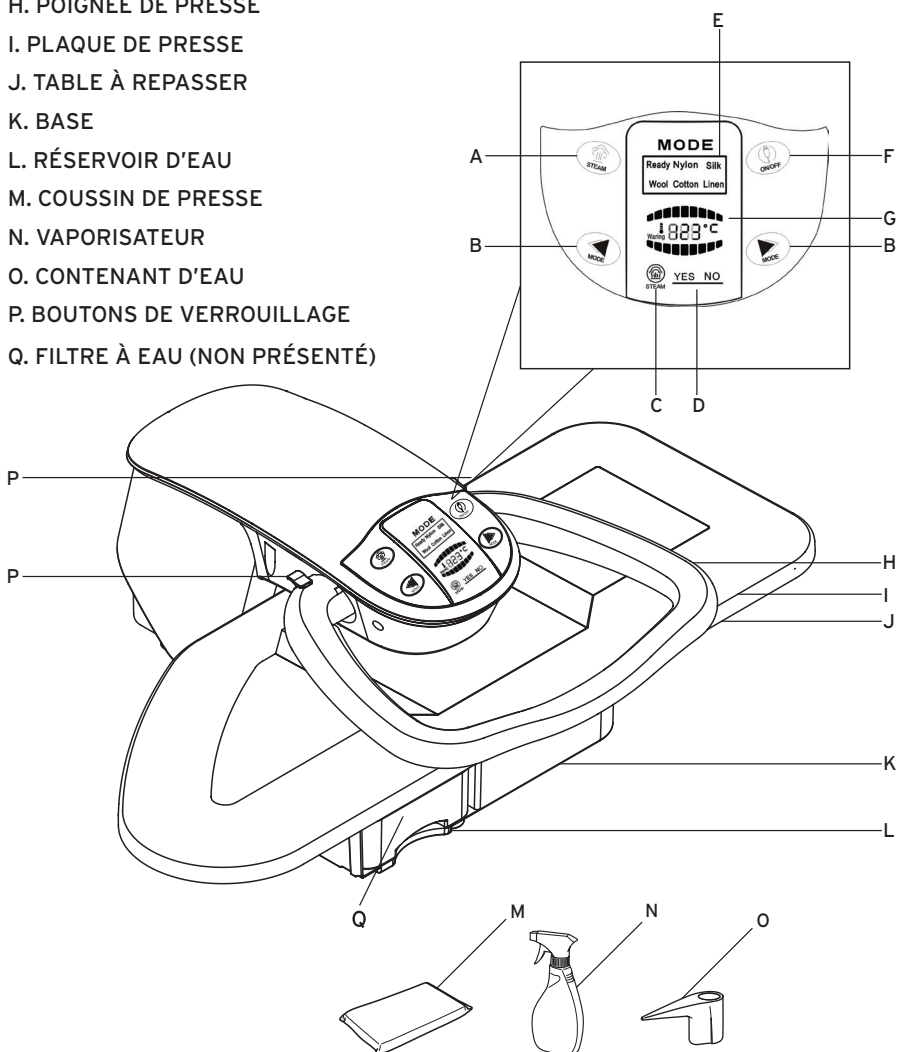
## CARACTÉRISTIQUES

- Votre nouvelle presse à vapeur offre un résultat propre et professionnel à tout coup!
- Multiples réglages de chaleur sèche et de vapeur pour tous les types de tissus
- Le mode en rafale élimine les plis résistants
- Sélection de la température variable
- La pression stable de plus de 45 kilogrammes (100 livres) assure des plis nets et durables
- Fonctionnement facile à une main
- Protège les tissus délicats comme la soie
- Housse de repassage rembourrée anti-adhésive
- Poignée verrouillable à l'épreuve des enfants

*IMPORTANT : Lorsque votre appareil est hors d'usage, NE LE JETEZ PAS à la poubelle. Confiez-le plutôt à un centre de recyclage ou à la déchetterie la plus proche afin qu'il soit traité correctement. Vous contribuerez ainsi à la protection de l'environnement.*

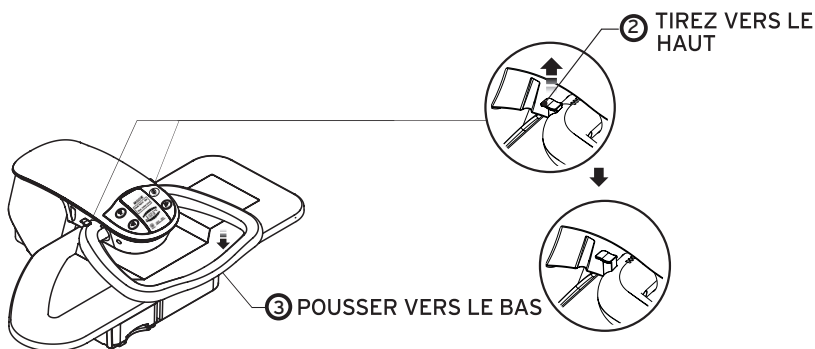
# CARACTÉRISTIQUES PRINCIPALES 350SP

- A. BOUTON DE VAPEUR EN RAFALE
- B. SÉLECTION DE TISSU
- C. TÉMOIN VAPEUR ON/OFF (MARCHE/ARRÊT)
- D. TÉMOIN DE VAPEUR PRÊTE
- E. TÉMOIN DE SÉLECTION DE TISSU
- F. BOUTON DE MISE EN MARCHÉ
- G. INDICATEUR LUMINEUX DE LA TEMPÉRATURE
- H. POIGNÉE DE PRESSE
- I. PLAQUE DE PRESSE
- J. TABLE À REPASSER
- K. BASE
- L. RÉSERVOIR D'EAU
- M. COUSSIN DE PRESSE
- N. VAPORISATEUR
- O. CONTENANT D'EAU
- P. BOUTONS DE VERROUILLAGE
- Q. FILTRE À EAU (NON PRÉSENTÉ)



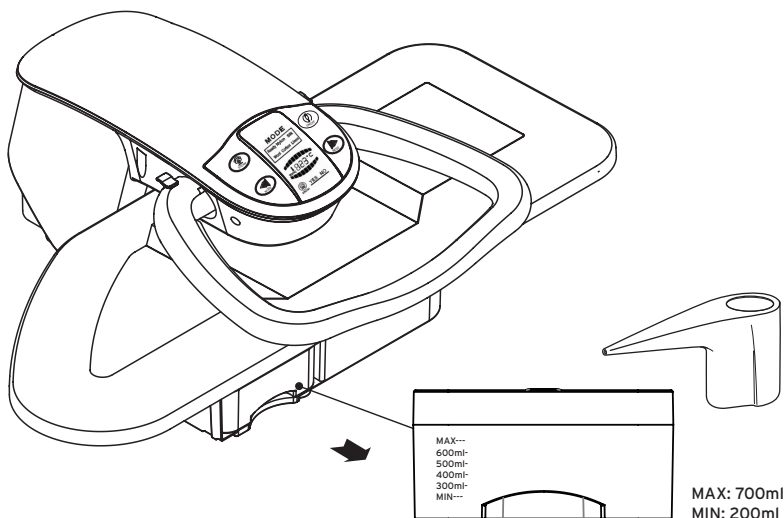
# ASSEMBLAGE ET UTILISATION

1. Posez la presse sur une surface plate et plane.
2. Levez les deux boutons de verrouillage (P) en position « déverrouiller ».
3. Appuyez doucement sur la poignée, puis relâchez. La presse sera immédiatement tournée vers le haut et restera en position levée.



4. Avant de brancher la presse, remplissez le réservoir d'eau détachable (L) en utilisant le contenant d'eau (O) fourni. Lorsque vous avez terminé, mettez le réservoir d'eau en place. L'eau est seulement nécessaire lorsque vous utilisez le bouton de vapeur en rafale (A).

**REMARQUE :** Lorsque vous remplissez le réservoir d'eau, il est préférable, mais pas obligatoire, de prendre de l'eau distillée.



TISSU	NYLON	SOIE	LAINE	COTON	LIN
TEMPÉRATURE	65 °C	95 °C	125 °C	155 °C	185 °C
	149 °F	203 °F	257 °F	311 °F	365 °F
VAPEUR	Non	Non	Oui	Oui	Oui

4. Branchez la presse et appuyez sur le bouton de mise en marche (F) situé sur l'écran de contrôle tactile DEL. Un témoin d'allumage (H) apparaîtra. Assurez-vous que la plaque de presse (I) est en position ouverte lorsque vous allumez l'appareil.
5. Utilisez les boutons de mode (B) pour sélectionner le réglage de tissu. Il peut falloir quelques minutes pour atteindre la température sélectionnée lorsque vous augmentez ou diminuez les réglages.

REMARQUE : Il faut environ 12 minutes pour que la presse atteigne la température lin.

**AVERTISSEMENT :** Pendant la première utilisation, ou après une longue période pendant laquelle la presse n'est pas utilisée, appuyez sur le bouton de vapeur en rafale (A) pendant quelques secondes pour retirer toute eau résiduelle ou accumulation de calcium du système avant l'utilisation.

**ATTENTION :** Assurez-vous de regarder l'étiquette du vêtement avant de sélectionner un réglage de tissu. Si vous ne pouvez pas déterminer un type de tissu, sélectionnez le plus bas réglage et augmentez comme nécessaire. Il vaut mieux commencer avec les tissus les plus délicats pour éviter d'endommager vos tissus.

6. Lorsque la presse a atteint la température désirée, les lumières vertes de réglage de tissus cesseront de clignoter. Commencez à utiliser la presse. Assurez-vous d'utiliser le coussin de presse fourni (M) pour lisser les zones rassemblées comme les manches, les plis et les empiècements. Si nécessaire, utilisez le vaporisateur (N) pour humidifier le tissu avant d'utiliser la presse.
7. Descendez la poignée de presse (I) et appuyez la plaque de presse (H) et la table à repasser (J) ensemble. Maintenez pendant quelques secondes, puis levez pour séparer la plaque de presse (I) et la table à repasser (J).
8. Pour utiliser la vapeur, mettez la sélection de tissu sur laine, coton ou lin. La lumière de vapeur (D) apparaîtra et vous pourrez appuyer sur le bouton de vapeur en rafale (A) pour vos vêtements.
9. Descendez la poignée de presse au-dessus des vêtements (environ 2,5 ou 5 centimètres, ou 1 à 2 pouces, au-dessus du tissu) et appuyez sur le bouton de vapeur en rafale (A). Utilisez la presse sur le vêtement. N'activez PAS le bouton de vapeur en rafale (A) lorsque l'appareil est complètement fermé. Vous pourriez endommager la presse.



*ATTENTION : Ne gardez pas la presse fermée pendant plus de 5 secondes. Si vous utilisez le bouton de vapeur en rafale, ne fermez pas complètement la presse sur le tissu. Si vous gardez la presse fermée pendant trop longtemps, vous pouvez froisser vos vêtements car ils seront trop chauds. Si cela arrive, vaporisez le vêtement et recommencez.*

*ATTENTION : Lorsque vous utilisez de la vapeur, ne maintenez pas le bouton de vapeur enfoncé pendant plus de 3 secondes. Si la vapeur est utilisée pendant trop longtemps, la température de la presse diminuera et vous devrez attendre qu'elle revienne au réglage désiré. La baisse de température est inévitable car la vapeur refroidit immédiatement la plaque de presse. En utilisant la vapeur en courtes rafales, vous permettrez d'éviter la baisse de température et vous pourrez ainsi utiliser la presse plus rapidement et de manière plus efficace.*

*AVERTISSEMENT : Pendant la première utilisation, ou après une longue période pendant laquelle la presse n'est pas utilisée, appuyez sur le bouton de vapeur en rafale (A) pendant quelques secondes pour retirer toute eau résiduelle ou accumulation de calcium du système avant l'utilisation.*

*REMARQUE : Certains vêtements ont des détails comme des plis, des coutures courbées et des épaulettes, qui ne devraient pas être pressés. Utilisez le coussin de presse fourni dans ces zones.*

*AVERTISSEMENT : N'essayez pas de baisser la plaque de presse dans sa position la plus basse ou de verrouiller la presse lorsque le coussin de presse s'y trouve. Vous pourriez endommager la presse.*

# REPASSAGE DE BASE

## NAPPE

Pliez le tissu en deux ou en trois et placez-le sur la planche à repasser.

Froncez la longueur sur la planche à repasser et déplacez l'objet plissé dans le grand espace derrière la planche à repasser.

Déplacez la nappe vers vous, puis pressez.

Continuez de déplacer le tissu jusqu'à ce que tout l'objet soit pressé.

Pour ranger, pliez et placez sur la planche à repasser et fermez la presse. Appliquez une légère pression. Si nécessaire, repliez la nappe pour presser toute zone qui pendait sur le côté de la planche à repasser. Répéter le processus de presse.

Conseil : Utilisez la même méthode pour la plupart des grands articles, comme les housses de couette, les draps, les taies d'oreillers, les chemins de table, les couvertures, les courtepintes, etc.

## PANTALONS

Taille : Placez le haut du pantalon sur la presse. Descendez la plaque de presse au-dessus du pantalon vers la planche à repasser. Si vous utilisez le coussin de presse, placez la taille du pantalon autour de la planche au-dessus du coussin. Arrangez les fronces. Tournez le pantalon pour presser toute la taille.

Poches latérales : glissez les poches sur le coussin de presse et la plaque de presse, puis pressez.

Entrejambe : placez l'entrejambe sur la plaque, vers le haut. Aligned avec le côté gauche incliné de la plaque. Pressez.

Jambes : Placez le dessus de la jambe à moitié sur la planche à repasser. Pressez le pli avant. Ensuite, placez le bas de la jambe à moitié sur la planche à repasser. Laissez le rebord dépasser de la planche. Pressez. Suivez la même méthode pour le pli arrière.

Remarque : L'ourlet des pantalons peut être pressé en le plaçant sur la planche à repasser et en appliquant une légère pression.

## CHEMISES ET BLOUSES

Empiècement : placez les épaules autour du côté gauche incliné de la planche. Laissez le col dépasser du bord. Pressez.

Poignets : placez les poignets et pattes autour des bords du coussin de repassage. Arrangez les plis. Pressez.

Manches : placez le vêtement sur le côté gauche de la presse en orientant le col vers vous. Placez la première manche sur la planche à repasser, la courbe du vêtement du côté gauche incliné de la planche (la deuxième manche se trouve devant la presse, à côté de la planche). Pressez. Retirez la première manche et placez la deuxième sur la planche. Pressez.

**Corps** : placez les manches ensemble et pliez la chemise en deux. Placez-la derrière la planche à repasser, en tendant les manches derrière la planche, sur la droite. Approchez d'abord l'avant de la chemise, les boutons vers l'avant. Avec la main droite, tenez le col pour que le côté rond de l'ouverture se trouve contre la planche à repasser. Ne lâchez pas le col avant d'avoir baissé la plaque de presse. Pressez. Continuez de tirer la chemise vers vous jusqu'à ce que vous ayez terminé.

**Col** : placez le col sur la planche, vaporisez et pressez. Pliez le col en deux, vaporisez et pressez.

**Pan de chemise** : boutonnez la chemise et placez le pan sur la planche à repasser. Pressez. Placez la chemise sur un cintre, ou pliez-la. Il vaut mieux la laisser refroidir avant de la plier. Utilisez le coussin de repassage pour retoucher certaines parties.

**Conseil** : Utilisez le même procédé pour les autres vêtements ajustés comme les blouses, les chemises cintrées, les vestes, etc.

### TEE-SHIRT

Placez le tee-shirt sur la planche à repasser. Selon la forme, commencez par les manches.

**Remarque** : Si votre tee-shirt comporte des pierres ou un appliqué, pressez avec le côté décoré contre la planche à repasser, ou mettez-le à l'envers.

### JUPE À FRONCES

Placez le coussin de presse sous la taille et pressez. Tournez la jupe jusqu'à ce que toute la taille soit pressée.

Glissez la jupe sur la planche. Arrangez les fronces. Pressez. Les fronces peuvent être piquées dans la housse de la planche à repasser. N'utilisez pas d'épingles à tête en plastique lorsque vous utilisez la presse. Tournez la jupe jusqu'à ce que toutes les fronces soient pressées.

### VESTE

**Manches sans fronces** : pliez la manche sur la couture et placez celle-ci sur la planche à repasser. Laissez le haut de la manche dépasser de la planche. Pressez.

**Revers** : placez les revers à plat, en angle, sur la planche à repasser. Pressez. Si nécessaire, utilisez le coussin de repassage.

### CRAVATES ET RUBANS

Placez la cravate dans le sens de la longueur sur la planche. Pressez. Vous pouvez aussi la placer horizontalement sur la planche et fermer la presse, puis tirer sur la cravate ou le ruban.

### ARTICLES BRODÉS

Placez l'article, le devant contre la planche à repasser, pour réduire l'usure et prévenir les dommages.

Si nécessaire, placez une serviette sur l'article avant de presser. Cela protégera les broderies, les pierres, etc.

**ATTENTION** : Lorsque vous repassez des articles avec des broderies ou des pierres, faites un essai sur une zone pour voir si la vapeur ou la chaleur affecte la zone, puis continuez prudemment.

# NETTOYAGE ET ENTRETIEN

*ATTENTION : Avant de ranger ou d'entretenir votre presse à vapeur, isolez l'appareil en débranchant le cordon d'alimentation et évitez de mouiller l'appareil.*

1. Il pourrait rester de l'eau dans le réservoir. Il est recommandé, si la machine va être rangée pendant longtemps, de retirer toute l'eau qui pourrait rester.
2. Attendez environ 30 minutes pour que la presse refroidisse avant de la ranger. Une fois que la presse a refroidi, baissez la plaque de presse sur la planche à repasser, baissez complètement la poignée de presse et appuyez sur les boutons de verrouillage pour les mettre en position « verrouillé ».
3. Lorsque/si nécessaire, essuyez l'appareil à l'aide d'un chiffon doux.
4. Rangez dans un endroit frais et sec.
5. Remplacez le filtre à eau si nécessaire. Des filtres supplémentaires peuvent être commandés à [www.reliablecorporation.com](http://www.reliablecorporation.com)

## ENTRETIEN

1. Remplissez le réservoir d'eau à l'aide du contenant d'eau fourni.
2. Placez le coussin de presse au centre de la planche à repasser.
3. Placez une serviette propre sur le coussin de presse et la planche à repasser.
4. Réglez la température au plus haut niveau (lin). Lorsque le témoin de vapeur s'allume, baissez la plaque de presse sur le coussin de presse.
5. Appuyez 6-7 fois sur le bouton de vapeur en rafale. Évitez de toucher les surfaces chaudes en métal et évitez de laisser les mains sous la presse lorsque vous utilisez le bouton de vapeur en rafale.
6. Lorsque la plaque de presse a refroidi, vous pouvez nettoyer la surface à l'aide d'un chiffon humide. N'utilisez PAS d'abrasif sur la plaque de presse. Cette plaque de presse a un revêtement anti-adhésif qui facilitera le nettoyage.
7. La housse de planche à repasser est amovible et peut être rincée avec un détergent doux et de l'eau. Vous pouvez acheter des housses de remplacement sur notre site Web : [www.reliablecorporation.com](http://www.reliablecorporation.com).

# CARACTÉRISTIQUES DU PRODUIT

ARIA 350SP

Source de tension : 120, 60 Hz

Sortie : 11800 W

Capacité d'eau : 680 ml (23,70 oz liq.)

Cordon d'alimentation : 2,4 m (8 pi)

Poids : 14 kg (30 lb)

## DÉPANNAGE

**ATTENTION :** Avant le nettoyage ou l'entretien, isolez l'appareil en débranchant le cordon d'alimentation de la prise murale.

PROBLÈME	SOLUTION
La lumière DEL n'allume pas	<ul style="list-style-type: none"><li>Assurez-vous que le cordon d'alimentation de la presse est bien branché dans une prise de 120 V.</li><li>Assurez-vous que le disjoncteur fonctionne.</li><li>Essayez d'utiliser la presse à partir d'une autre prise.</li></ul>
Pas de chaleur	<ul style="list-style-type: none"><li>Assurez-vous que la température a été sélectionnée.</li><li>La plaque de presse a été laissée en position levée pendant plus de 20 minutes et s'est automatiquement éteinte.</li></ul>
Pas de vapeur	<ul style="list-style-type: none"><li>Le niveau d'eau est bas, remplissez le réservoir.</li><li>Le réglage de température est trop bas pour activer la vapeur. Sélectionnez une température plus élevée et attendez que le témoin s'allume avant d'utiliser la vapeur.</li></ul>
Les boutons ne fonctionnent pas correctement	<ul style="list-style-type: none"><li>Débranchez l'appareil pendant 5 minutes avant de le rebrancher.</li></ul>
La machine ne peut pas être ouverte par la poignée de la plaque de presse	<ul style="list-style-type: none"><li>Tirez les boutons de verrouillage vers le haut.</li></ul>
La sortie de vapeur en rafale est faible	<ul style="list-style-type: none"><li>La plaque de presse doit être nettoyée. Référez-vous à la section du guide concernant le nettoyage pour la marche à suivre.</li></ul>



Reliable Corporation (« Reliable ») garantit à l'acheteur original de ce produit que chaque produit vendu par Reliable (un « Produit Reliable ») est exempt de tout défaut de pièce et de main d'œuvre pour une période d'un an à compter de la date d'achat, s'il est utilisé et entretenu correctement. Sous réserve des conditions et des restrictions énoncées ci-dessous, Reliable réparera ou remplacera toute pièce d'un produit Reliable qui s'avère défectueuse en raison d'un défaut de fabrication ou de matériaux défectueux. Si le Produit Reliable défectueux n'est plus disponible et ne peut pas être réparé efficacement ou remplacé par un modèle identique, Reliable remplacera le Produit Reliable défectueux par un Produit Reliable actuel de valeur équivalente ou supérieure. Les pièces réparées ou les produits remplacés seront fournis par Reliable sur la base d'un échange, et seront soit neufs ou remis à neuf pour être fonctionnellement équivalents aux neufs. Si Reliable n'est pas en mesure de réparer ou de remplacer le Produit Reliable, elle remboursera la valeur actuelle du Produit Reliable au moment où la réclamation de garantie est réalisée.

Cette garantie limitée ne couvre aucun dommage subi par un Produit Reliable résultant d'une installation incorrecte, d'un accident, d'un abus, d'une mauvaise utilisation, d'une catastrophe naturelle, d'une alimentation électrique insuffisante ou excessive, de conditions mécaniques ou environnementales anormales, de l'usure et de la détérioration résultant de l'usure normale du produit, ou de tout démontage, réparation ou modification non autorisés. Cette garantie limitée ne couvre pas les dommages directs, indirects ou consécutifs dont peut être victime un utilisateur ou suite à l'utilisation d'un Produit Reliable, y compris mais sans s'y limiter, toute responsabilité pour des réclamations de tiers pour des dégâts, et se limite au montant payé par l'acheteur original du Produit Reliable auquel cette protection de garantie limitée s'applique. Cette garantie limitée ne s'applique pas aux produits qui ont été modifiés ou dont les numéros de séries sont manquants, ou aux produits non achetés directement auprès de Reliable ou d'un revendeur agréé pour vendre des Produits Reliable.

Cette garantie limitée est l'unique garantie qui s'applique à tout Produit Reliable, elle remplace toutes conditions qui peuvent être contenues dans un autre document ou bon de commande et ne peut être transformée ou modifiée, sauf dérogation expressément écrite de Reliable.

Pour obtenir une réparation ou un remplacement en vertu des conditions de cette garantie, veuillez contacter notre service à la clientèle au 1-800-268-1649 ou par courriel à [support@reliablecorporation.com](mailto:support@reliablecorporation.com).

Il vous sera demandé d'envoyer le reçu original par télécopie ou courriel. Le reçu doit prouver que vous êtes l'acheteur original, que le produit a été acheté directement chez nous ou chez un revendeur agréé par Reliable et que la réclamation de garantie est effectuée pendant la période de garantie. Un numéro d'autorisation de retour (N° AR) vous sera donné et il vous sera demandé d'expédier le produit défectueux accompagné de la preuve d'achat et du N° AR, les frais d'assurances étant prépayés à l'adresse suivante :

Reliable Corporation, 5-100 Wingold Avenue, Toronto, ON M6B 4K7. Les expéditions avec fret à destination seront refusées. Le risque de perte ou d'endommagement lors du transport sera assumé par le client. Une fois que Reliable aura reçu le produit défectueux, elle initiera la réparation ou le remplacement.

Si vous avez des questions concernant la présente garantie, vous pouvez écrire à :

Reliable Corporation  
100 Wingold Avenue, Unit 5  
Toronto, Ontario  
Canada M6B 4K7  
[www.reliablecorporation.com](http://www.reliablecorporation.com)



ARIA 350SP  
MANUAL DE INSTRUCCIONES  
ESPAÑOL



## RELIABLE. AHÍ, JUNTO A USTED.

En Reliable hacemos lo que nos gusta, y nos enorgullece hacer las cosas bien. Usted quiere lo mejor para las personas, los sitios y las cosas que son importantes en su vida: ya sea el lugar en el que vive o lo que viste. Nosotros también. Desde el inicio, abordamos cada producto con la atención al detalle de un artesano y con la pasión por hacer lo correcto. La calidad, funcionalidad, diseño y atención al cliente juegan un rol igual de importante para brindarle lo que usted necesita. La superficie amplia de planchado de Aria, el impresionante volumen de vapor y un termostato digital exacto aseguran que hasta las telas más difíciles quedarán sin arrugas y bien planchadas.

Para su seguridad y con el propósito de disfrutar plenamente de las ventajas de este producto, dedique algunos minutos a leer todas las medidas de protección e instrucciones para el cuidado del aparato. Conserve a mano este manual y consulte el certificado de garantía del producto.

# INSTRUCCIONES DE SEGURIDAD IMPORTANTES

## LEA TODAS LAS INSTRUCCIONES ANTES DE USAR EL PRODUCTO

1. Para protegerse del riesgo de sufrir una descarga eléctrica, no sumerja el aparato en agua.
2. Evite que el cable cuelgue por el borde de la encimera.
3. Evite que el cable entre en contacto con superficies calientes.
4. Siempre permita que el aparato se enfríe durante al menos treinta minutos antes de guardarlo.
5. Colóquelo siempre en lugar seguro, sobre una mesa o encimera mientras lo está usando.
6. No mueva el aparato sin desenchufarlo primero.
7. El aparato tiene superficies muy calientes. No permita que lo utilicen niños sin supervisión.
8. Siempre desconéctelo del tomacorriente antes de llenarlo con agua o vaciarlo. Tenga cuidado y evite derramar agua sobre el aparato al llenarlo.
9. Use agua destilada. No agregue perfumes ni productos que contengan alcohol al aparato.
10. Siempre desconecte el aparato cuando no lo use.
11. No utilice el aparato si el cable está dañado. Devuelva el producto o solicite la reparación del cable al fabricante, su agente de servicio técnico o una persona capacitada similar.
12. No ponga a funcionar el aparato si tuvo una caída o está dañado. No lo desarme. El armado incorrecto puede ocasionar un riesgo de descarga eléctrica. Envíelo a un centro de servicio técnico autorizado para su reparación.
13. No utilice otro aparato de alta potencia en el mismo circuito.
14. Este aparato requiere de una conexión a tierra. No altere el enchufe ni intente retirar esta característica.
15. Tenga cuidado. Puede sufrir quemaduras si toca las piezas metálicas calientes, el agua caliente o el vapor que emite la plancha.
16. Este aparato no está diseñado para que lo utilicen niños pequeños ni personas enfermas a menos que estén bajo la supervisión adecuada de una persona responsable para garantizar que lo puedan usar de manera segura.
17. Los niños pequeños deben ser supervisados para garantizar que no jueguen con el aparato.

# SOLAMENTE PARA USO DOMÉSTICO. GUARDE ESTAS INSTRUCCIONES PARA FUTURAS CONSULTAS.

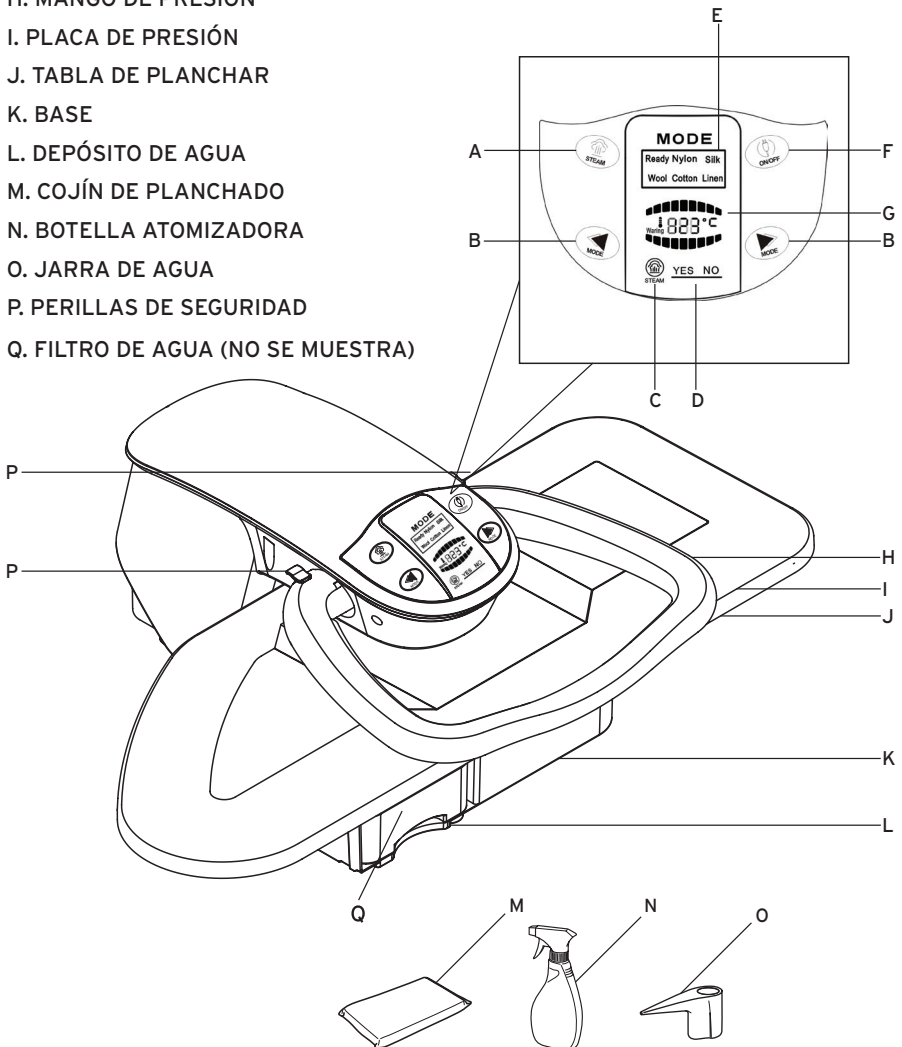
## CARACTERÍSTICAS

- ¡Su nueva Plancha a Vapor ofrece resultados limpios y profesionales cada vez que la usa!
- Múltiples ajustes de calor seco y vapor para todos los tipos de tela
- El ajuste de ráfaga elimina las arrugas difíciles
- Selección de temperatura variable
- Más de 100 lb de presión uniforme aseguran pliegues precisos y duraderos
- Operación fácil de usar con una mano
- Protege las telas delicadas como la seda
- Forro antiadherente acolchado para la tabla de planchar
- Mango de seguridad a prueba de niños

***IMPORTANTE:** Cuando desee deshacerse del aparato, NUNCA lo tire a la basura. En cambio, acérquese a su estación de reciclaje más próxima, o bien, entregue el aparato en un centro de recolección de residuos para su posterior tratamiento. De esta forma, estará colaborando en el cuidado del medioambiente.*

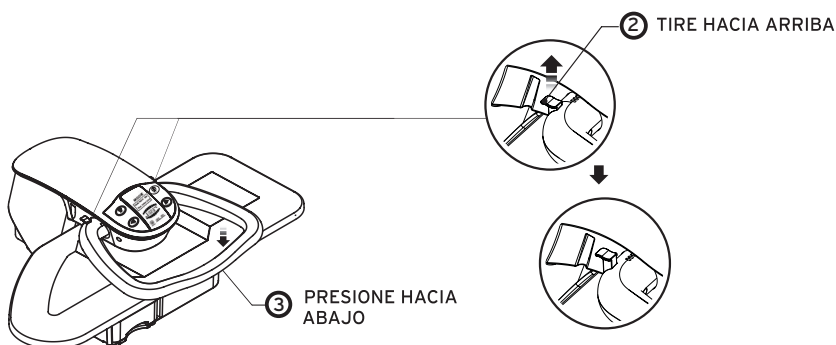
# CARACTERÍSTICAS CLAVE DE LA 350SP

- A. BOTÓN DE LA FUNCIÓN DE RÁFAGA DE VAPOR
- B. MODO DE SELECCIÓN DE TELA
- C. INDICADOR DE VAPOR ENCENDIDO Y APAGADO
- D. INDICADOR DE VAPOR LISTO
- E. INDICADOR DE SELECCIÓN DE TELA
- F. BOTÓN DE ENCENDIDO Y APAGADO
- G. INDICADOR DE TEMPERATURA
- H. MANGO DE PRESIÓN
- I. PLACA DE PRESIÓN
- J. TABLA DE PLANCHAR
- K. BASE
- L. DEPÓSITO DE AGUA
- M. COJÍN DE PLANCHADO
- N. BOTELLA ATOMIZADORA
- O. JARRA DE AGUA
- P. PERILLAS DE SEGURIDAD
- Q. FILTRO DE AGUA (NO SE MUESTRA)



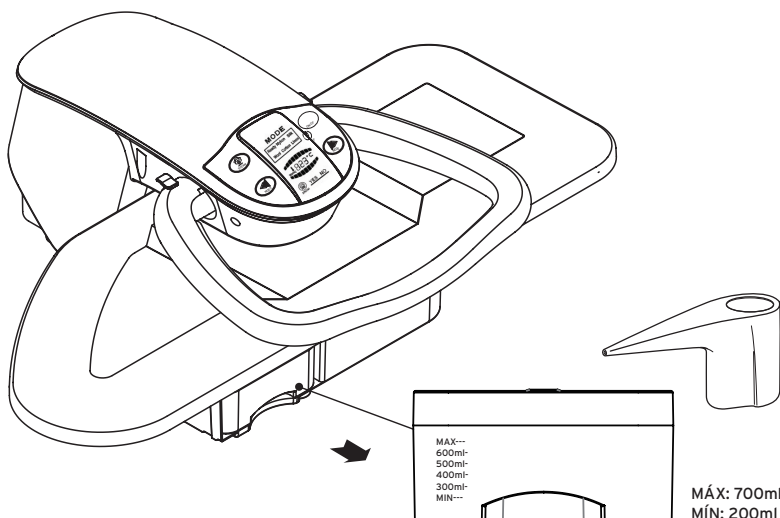
# ENSAMBLADO Y USO

1. Coloque la plancha sobre una superficie plana y nivelada.
2. Levante ambas perillas de seguridad (P) hacia la posición "unlock" (desbloquear).
3. Ligeramente presione el mango hacia abajo, y libérela. La plancha quedará automáticamente viendo hacia arriba y permanecerá en una posición levantada.



4. Antes de enchufar la plancha, llene el depósito de agua extraíble (L) con el envase para agua (O) proporcionado. Al finalizar, deslice el depósito de vuelta a su lugar. El agua solo se necesita cuando se utiliza el botón de ráfaga de vapor (A).

*NOTA: cuando llene el depósito de agua, es preferible usar agua destilada, pero no es obligatorio.*



TELA	NAILON	SEDA	LANA	ALGODÓN	LINO
TEMPERATURA	65 °C	95 °C	125 °C	155 °C	185 °C
	149 °F	203 °F	257 °F	311 °F	365 °F
VAPOR	No	No	Sí	Sí	Sí

- Enchufe la plancha y presione el botón de encendido y apagado (F) que se encuentra en el panel de control de la pantalla táctil digital led. Aparecerá una luz indicadora de aparato encendido (H). Asegúrese de que la placa de presión (I) esté en la posición abierta al encender la unidad.
- Utilice los botones de modo (B) para elegir el tipo de tela. Puede tomar algunos minutos alcanzar la temperatura seleccionada cuando aumenta o reduce los ajustes.

*NOTA: toma aproximadamente 12 minutos para que la plancha llegue a la temperatura necesaria para planchar lino.*

**ADVERTENCIA:** la primera vez que usa la plancha, o después de un largo período sin uso, presione el botón de ráfaga de vapor (A) de manera continua por varios segundos para limpiar la placa de presión de la acumulación de calcio o agua residual en el sistema antes de su uso.

**PRECAUCIÓN:** asegúrese de revisar la etiqueta de la prenda de ropa antes de seleccionar el ajuste de la tela. Si no puede determinar el tipo de tela, seleccione el ajuste más bajo y vaya aumentándolo según sea necesario. Es mejor comenzar con las telas más delicadas para evitar dañar las prendas.

- Una vez que la plancha alcanza la temperatura deseada, las luces verdes del tipo de tela dejarán de parpadear. Comience a planchar. Asegúrese de utilizar el cojín de planchado proporcionado (M) para planchar las partes fruncidas como las mangas, pinzas y hombrillos. Si es necesario, use la botella atomizadora (N) para humedecer la tela antes de planchar.
- Tire hacia abajo el mango de presión (I) y presione contra la placa de presión (H) y la tabla de planchar (J) juntas. Sostenga por unos segundos y luego levante para separar la placa de presión (I) y la tabla de planchar (J).
- Para usar vapor, ajuste el modo de selección de tela a los ajustes de lana, algodón o lino. Aparece la luz indicadora de vapor listo (D) y podrá presionar el botón de ráfaga de vapor (A) para aplicar vapor a sus prendas.
- Tire hacia abajo el mango de presión directamente sobre las prendas (aproximadamente 1 a 2 pulgadas sobre la tela) y presione el botón de ráfaga de vapor (A). Presione la prenda. NO active el botón de ráfaga de vapor (A) con la unidad completamente cerrada; puede dañar la plancha.

**PRECAUCIÓN:** no mantenga la plancha cerrada por más de 5 segundos. Si utiliza el botón de ráfaga de vapor, no cierre completamente la plancha sobre la tela. Si presiona la plancha demasiado tiempo, puede ocasionar arrugas en la tela porque están demasiado calientes. Si esto sucede, rocíe la prenda con agua y vuelva a comenzar.

**PRECAUCIÓN:** cuando utilice vapor, no sostenga el botón de vapor por más de 3 segundos. Si utiliza vapor por demasiado tiempo, hará que la temperatura de planchado se reduzca y tendrá que esperar a que alcance el ajuste inicial deseado. La caída en la temperatura no se puede evitar ya que la ráfaga de vapor enfría la placa de presión de manera instantánea. Al usar vapor en pequeñas ráfagas, ayudará a eliminar la caída de la temperatura y así podrá planchar más rápido y mejor.

**ADVERTENCIA:** *la primera vez que usa la plancha, o después de un largo período sin uso, presione el botón de ráfaga de vapor de manera continua por varios segundos para limpiar la placa de presión de la acumulación de calcio o agua residual en el sistema antes de su uso.*

**NOTA:** *ciertas prendas tienen detalles como pinzas, costuras curvas y hombreras, los cuales no deben plancharse con mucha presión. Utilice el cojín de planchado especial para usar en estas áreas.*

**ADVERTENCIA:** *no intente bajar la placa de presión a su posición más baja ni cierre la plancha con el cojín dentro. Puede dañar la plancha si lo hace.*

# PLANCHADO BÁSICO

## MANTEL

Doble la tela a lo largo ya sea a la mitad o en tercios y colóquela sobre la tabla de planchar.

Pliegue la tela a lo largo tipo acordeón sobre la tabla de planchar y mueva la pieza plegada hacia el espacio abierto grande detrás de la tabla de planchar.

Mueva el mantel hacia usted y aplique presión.

Continúe moviéndolo hasta haber planchado toda la prenda.

Para guardarla, dóblela y colóquela sobre la tabla de planchar y cierre la plancha. Aplique presión mínima. Si es necesario, vuelva a doblar el mantel para planchar cualquier área que haya quedado colgando a los lados de la tabla de planchar. Repita el procedimiento de planchado.

Consejo: utilice el mismo método para la mayoría de prendas grandes, como fundas de edredón, sábanas, sobrefundas, caminos de mesa, toallas, frazadas, colchas, etc.

## PANTALONES

Cintura: coloque la parte superior del pantalón en la plancha. Presione la placa de presión sobre el pantalón en la tabla de planchar. Si utiliza el cojín de planchado, coloque la cintura del pantalón alrededor de la tabla sobre el cojín. Acomode los pliegues. Gire el pantalón para planchar toda la cintura.

Bolsillos laterales: deslice los bolsillos sobre el cojín de planchado y sobre la tabla de planchar y luego presione.

Tiro: coloque la parte interior del área de la entrepierna sobre la tabla viendo hacia arriba. Alinee con el lado izquierdo sesgado de la tabla. Presione.

Piernas: coloque la parte superior de la pierna del pantalón a la mitad sobre la tabla de planchar. Presione el pliegue delantero. Luego, coloque la parte inferior de la pierna del pantalón a la mitad sobre la tabla de planchar. Permita que el ruedo cuelgue por el extremo de la tabla. Presione. Siga el mismo método para planchar el pliegue trasero.

Nota: los ruedos de los pantalones se pueden planchar al colocar ambos sobre la tabla de planchar y aplicar una pequeña cantidad de presión.

## CAMISAS Y BLUSAS

Hombriño: coloque los hombros alrededor del lado izquierdo sesgado de la tabla. Deje que el cuello cuelgue por el borde. Presione.

Puños: coloque los puños y las tirillas alrededor de los bordes del cojín de planchado. Acomode los pliegues. Presione.

Mangas: coloque la prenda hacia el lado izquierdo de la plancha con el cuello hacia usted. Coloque la primera manga en la tabla de planchar con la curva de la prenda acomodada en el lado izquierdo sesgado de la tabla (la segunda manga quedará frente a la plancha, fuera de la tabla). Presione. Retire la primera manga y coloque la segunda en la tabla. Presione.



**Cuerpo:** coloque las mangas juntas y doble la camisa a la mitad. Colóquela en la parte trasera de la tabla de planchar, alejada de usted, y extienda las mangas detrás de la tabla a la derecha. Acerque primero la parte delantera de la camisa con los botones. Con su mano derecha, sostenga el cuello de modo que el borde curvo de la abertura del cuello quede plano contra la tabla de planchar. No suelte el cuello hasta haber bajado la placa de presión. Presione. Continúe halando la camisa hasta que haya planchado todo.

**Cuello:** coloque el cuello sobre la tabla, rocíe agua y presione. Doble el cuello por la mitad, rocíe agua y presione.

**Cola de la camisa:** abotone la prenda y coloque la cola de la camisa directamente sobre la tabla de planchar. Presione. Cuelgue la camisa en la percha o dóblela. Se recomienda dejar que se enfríe antes de doblarla. Utilice el cojín de planchado para retocar cualquier área.

**Consejo:** utilice este mismo procedimiento para otras prendas ajustadas como blusas, camisetas, chaquetas, etc.

### CAMISETA

Coloque la camiseta plana sobre la tabla de planchar. Según la forma, comience con las mangas.

**Nota:** si su camiseta tiene pedrería o una aplicación, plánela con el lado decorado hacia abajo sobre la tabla o al revés.

### FALDA PLISADA

Coloque el cojín de planchado debajo de la cintura y presione. Gire la falda hasta haber planchado toda la cintura.

Deslice la falda sobre la tabla. Acomode los pliegues. Presione. Puede ser necesario sujetar con alfiler los pliegues al forro de la tabla de planchar. No utilice alfileres con cabeza plástica cuando use la plancha. Gire la falda hasta haber planchado todos los pliegues.

### CHAQUETA

**Mangas sin pliegues:** doble la manga por la línea de la costura y colóquela plana sobre la tabla. Permita que el borde superior de la manga cuelgue por el borde de la tabla. Presione.

**Solapas:** coloque las solapas planas, en diagonal sobre la tabla de planchar. Presione. Utilice el cojín de planchado si es necesario.

### CORBATAS Y LISTONES

Coloque la corbata a lo largo sobre la tabla. Presione. También puede colocarla horizontalmente sobre la tabla y cerrar la plancha y luego halar el listón o la corbata.

### ARTÍCULOS BORDADOS

Coloque la prenda hacia abajo sobre la tabla de planchar para reducir el desgaste y evitar daños.

Si es necesario, coloque una toalla sobre la prenda y presione. Esto protege las costuras, la pedrería, etc.

*PRECAUCIÓN: cuando planche artículos o prendas bordados o cosidos con pedrería, haga una prueba en un área para ver si el vapor o el calor afectan el área, y proceda con precaución.*

## ALMACENAMIENTO Y MANTENIMIENTO

**PRECAUCIÓN:** antes de almacenar o dar mantenimiento a su plancha a vapor, aísle la unidad al retirar el cable del tomacorriente y evite sumergir la unidad en agua.

1. Puede quedar agua en el depósito; sin embargo, se recomienda que si la máquina se va a almacenar por un período prolongado, debe drenarse toda el agua de la unidad.
2. Espere aproximadamente 30 minutos a que la plancha se enfríe antes de guardarla. Una vez fría, baje la placa de presión sobre la tabla de planchar; baje el mango de presión por completo, luego empuje las perillas de seguridad, hacia abajo a la posición "locked" (bloqueado).
3. Limpie el vaporizador con un paño suave cuando sea necesario.
4. Guarde en un lugar fresco y seco.
5. Reemplace el filtro de agua cuando sea necesario. Se pueden solicitar filtros adicionales en [www.reliablecorporation.com](http://www.reliablecorporation.com)

## LIMPIEZA

1. Llene el depósito de agua con el envase de agua proporcionado.
2. Coloque el cojín de planchado en el centro de la tabla de planchar.
3. Coloque una toalla limpia sobre el cojín de planchado y la tabla de planchar.
4. Ajuste el control de selección de temperatura en el valor más alto (lino). Cuando se prenda la luz indicadora de vapor, baje suavemente la placa de presión sobre el cojín de planchado.
5. Presione el botón de ráfaga de vapor de 6 a 7 veces. Tenga cuidado de no tocar las superficies metálicas calientes y evite dejar las manos debajo de la plancha cuando utilice el botón de ráfaga de vapor.
6. Una vez que la placa de presión se enfríe, puede limpiar la superficie con un paño húmedo. NO utilice ningún material abrasivo sobre la placa de presión. Esta tiene un revestimiento antiadherente que ayuda en la limpieza.
7. El forro de la tabla de planchar es removible y se puede lavar con detergente suave y agua tibia. Puede comprar repuestos del forro en nuestro sitio web en: [www.reliablecorporation.com](http://www.reliablecorporation.com).

# ESPECIFICACIONES DEL PRODUCTO

ARIA 350SP

Tensión de alimentación: 120, 60 Hz

Salida: 1800 W

Capacidad de agua: 23.70 fl oz

Cable: 8 pies

Peso: 14 kg

## DETECCIÓN Y RESOLUCIÓN DE PROBLEMAS

**PRECAUCIÓN:** Antes de realizar tareas de mantenimiento a la plancha a vapor, aísle la unidad al retirar el cable del tomacorriente.

PROBLEMA	SOLUCIÓN
La luz led no enciende	<ul style="list-style-type: none"><li>• Asegúrese de que el cable de alimentación de la plancha esté bien conectado a un tomacorriente de 120 V de corriente alterna (CA).</li><li>• Asegúrese de que el disyuntor funcione.</li><li>• Pruebe operar la plancha desde otro tomacorriente.</li></ul>
No hay calor	<ul style="list-style-type: none"><li>• Asegúrese de haber seleccionado la temperatura.</li><li>• La placa de presión se dejó en la posición elevada por más de 20 minutos y se activó el apagado automático.</li></ul>
No hay vapor	<ul style="list-style-type: none"><li>• Puede ser que el nivel de agua esté bajo; rellene el depósito de agua.</li><li>• El ajuste de temperatura es demasiado bajo para activar el vapor. Seleccione una temperatura más alta y espere a que la luz indicadora de listo se ilumine antes de comenzar a aplicar vapor.</li></ul>
Los botones no funcionan	<ul style="list-style-type: none"><li>• Desconecte la unidad del tomacorriente por 5 minutos y vuelva a enchufarla.</li></ul>
La máquina no se puede abrir con el mango de la placa de presión	<ul style="list-style-type: none"><li>• Tire las perillas de seguridad hacia arriba</li></ul>
La salida de la ráfaga de vapor es débil	<ul style="list-style-type: none"><li>• La placa de presión necesita limpieza. Consulte la sección de limpieza del manual para conocer el procedimiento adecuado.</li></ul>



Reliable Corporation ("Reliable") garantiza al comprador original de sus productos que todas las unidades vendidas por Reliable (un "Producto Reliable") se encuentran libres de defectos de material y de mano de obra durante el período de un año a partir de la fecha de compra, si se utilizan correctamente y reciben el mantenimiento adecuado. En virtud de las condiciones y limitaciones establecidas a continuación, Reliable reparará o reemplazará la pieza de un Producto Reliable que demuestre estar defectuosa a causa de material o fabricación inadecuados. Si el Producto Reliable defectuoso deja de estar disponible y no puede ser reparado efectivamente o reemplazado por un modelo idéntico, Reliable cambiará el Producto Reliable defectuoso por un Producto Reliable vigente de igual o mayor valor. Las piezas de recambio o repuestos serán suministrados por Reliable a cambio de las piezas originales, y serán piezas nuevas o piezas que estarán reacondicionadas para convertirse en productos funcionalmente equivalentes a piezas nuevas. Si Reliable no puede reparar o reemplazar un Producto Reliable, la empresa reembolsará el valor del Producto Reliable que esté vigente al momento de reclamar la garantía.

Esta garantía limitada no cubre los daños que sufra un Producto Reliable como resultado de una instalación inadecuada, accidente, abuso, uso incorrecto, desastre natural, suministro de energía eléctrica insuficiente o excesivo, condiciones mecánicas o ambientales anormales, desgaste provocado por el uso normal del producto o cualquier desarme, reparación o modificación no autorizados. Esta garantía limitada no se extiende a ningún daño indirecto, resultante o accidental que el usuario pueda sufrir o que pueda causar el uso de un Producto Reliable, incluida, entre otros, la responsabilidad ante los reclamos presentados por terceros; y se limita al monto pagado por el comprador original del Producto Reliable respecto del cual se aplica esta protección de garantía limitada. Esta garantía limitada no es válida para los productos que hayan sido modificados o que no tengan número de serie, ni para los productos que no hayan sido comprados directamente a Reliable o a través de un distribuidor autorizado que cuente con nuestra autorización para vender Productos Reliable.

Esta garantía limitada es la única garantía que se aplica a todos los Productos Reliable, reemplaza todos los términos que puedan estar contenidos en cualquier otro documento u orden de compra y no puede ser alterada ni modificada excepto que Reliable así lo haya autorizado expresamente por escrito.

Para obtener una reparación o un reemplazo en virtud de los términos de esta garantía, póngase en contacto con nuestro grupo de servicio al cliente a través del 1-800-268-1649 o escriba a [support@reliablecorporation.com](mailto:support@reliablecorporation.com).

Se le pedirá que mande un recibo original por fax o por correo electrónico. Este comprobante debe demostrar que usted es el comprador original, que el producto fue adquirido directamente de nuestras oficinas o de un vendedor de Reliable autorizado y que el reclamo de la garantía se realiza dentro del período correspondiente. Recibirá un número de autorización (RA#) y deberá enviar el producto defectuoso, junto con el comprobante de compra, el RA# y los seguros pagados por adelantado, a la siguiente dirección:

Reliable Corporation, 5-100 Wingold Avenue, Toronto, ON M6B 4K7. Los envíos con costos por cobrar serán rechazados. El riesgo de sufrir una pérdida o daño en tránsito será asumido por el cliente. Una vez que Reliable reciba el producto defectuoso, la empresa iniciará el proceso de reparación o reemplazo.

Si tiene preguntas sobre esta garantía, puede escribir a la siguiente dirección:

Reliable Corporation  
100 Wingold Avenue, Unit 5  
Toronto, Ontario  
Canada M6B 4K7  
[www.reliablecorporation.com](http://www.reliablecorporation.com)







DID YOU KNOW?

---

**We supply thousands of dry  
cleaners and major  
department store alteration  
shops with ironing stations  
and ironing tables.**



**RELIABLE**

1 800 268 1649

[www.reliablecorporation.com](http://www.reliablecorporation.com)