

LC12T 100% LED

DESIGNED FOR TRAILERS



FOG TRIANGULAR REFLECTOR INDICATOR REVERSE STOP POSITION

ULTRA SLIM DESIGN
40 mm thick



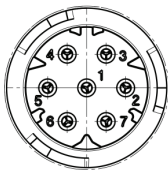
161000 : left
161010 : right

Features :

- 12/24 V
- UV resistant polycarbonate lens
- LED: long lifetime without maintenance
- Dynamic indicator
- IP Protection: IP 69K
- Certification ECE R48 + R10
- Dimensions: 350 x 130 x 40 mm
- Bolt distance: 152 mm

AMP 1.5 Connector Pinning :

1	Ground
2	Position
3	Reverse
4	Indicator
5	Stop
6	Fog
7	Not used

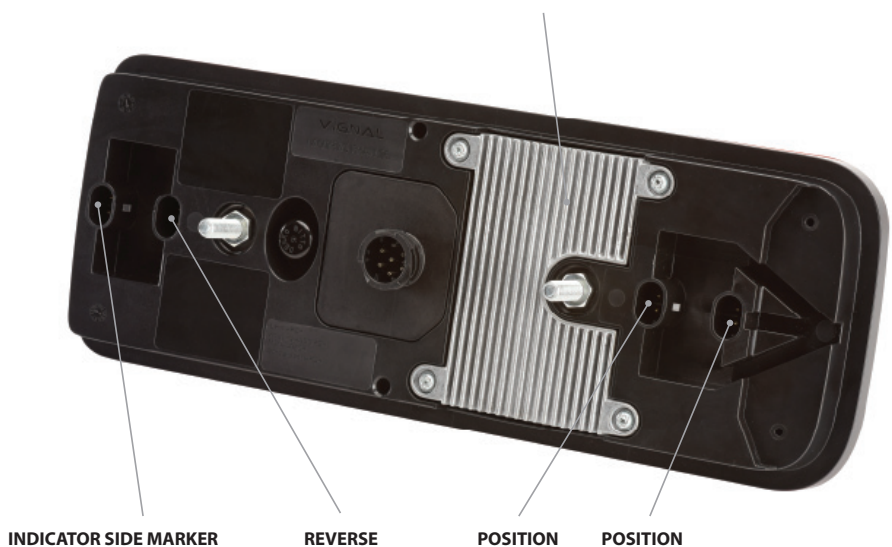


AMP 1.5 : D11868



SUPERSEAL : D13880

INTEGRATED RESISTANCE (INDICATOR FAILURE)

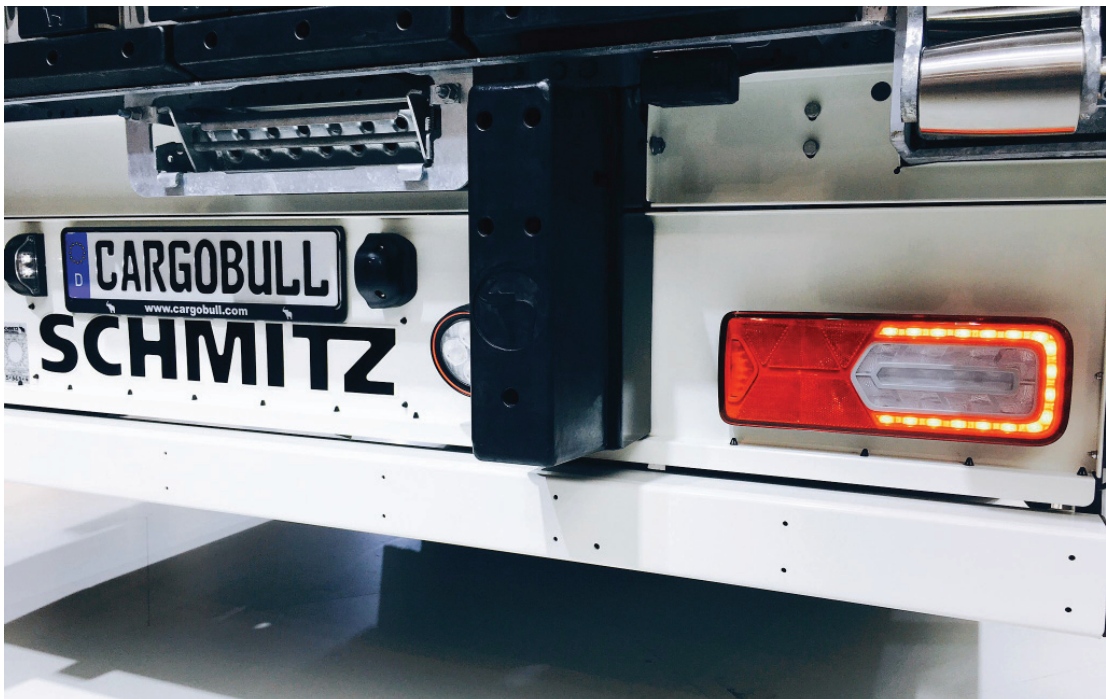


INDICATOR SIDE MARKER REVERSE POSITION POSITION

4 ADDITIONAL CONNECTORS
(SUPERSEAL 2 PIN)

LC12T 100% LED

REAL BENEFITS THAT **MATTER** ...



... UNIVERSAL

- Multivoltage 12/24 V for any application.
- Standard bolt distance 152 mm.



... ROBUST

- Polycarbonate lens, ABS/PC housing.
- Watertight, hermetically sealed lens to achieve IP69K.



... POWERFUL & ENERGY EFFICIENT

- Latest generation of powerful LED for improved efficiency and light distribution.
- 100% LED for a low energy consumption (5 times less than bulb versions).



... CERTIFIED

- Electromagnetic Compatibility R10, tested and certified.
- ECE certified according to regulation.



... COMPATIBLE

- LED direction indicator failure detection integrated.



... COMPACT

- 350 x 130 mm, an optimized volume to integrate 6 functions.
- 40 mm thick, slim dimensions for a better light protection.



... ATTRACTIVE

- A polished design to give an outstanding look to the vehicle.
- A large homogenous light area for the tail function.

VIGNAL SYSTEMS
19 avenue du 24 Août 1944 - CS 54012
F-69964 Lyon - Corbas Cedex
Tel: +33 (0)4 72 90 29 29
Email: info@vignal-systems.com
Site Web: www.vignal-systems.com



A brand of Vignal Lighting Group