

Polaris XP Pro 3 Junior Seats

Installation Guide

Fitment: 4 Seat XP Pro

PARTS INCLUDED

6 - Square Brackets 20 - 1/4-20"-18 nuts
12 - Carriage Bolts 28 - 1/4 Flat Washers
3 - Junior Seats 3 - Flat Plates
4 - 7/16 Bolts 4 - 7/16 Nuts
4 - 7/16 washers

TO INSURE YOUR SAFETY AND THE SAFETY OF OTHERS AND AVOID PROPERTY DAMAGE OR LOSS, PLEASE PAY CLOSE ATTENTION TO ALL INSTRUCTIONS, WARNINGS, CAUTIONS AND NOTES REGARDING THE USE AND CARE OF THIS PRODUCT

STEP 1: Remove the rear seats by pulling the lever behind the harness hole cut outs. This will remove the top of the seat. Next you need to remove the cushion. Remove the 6 torx screws from each seat identified in (figure 1). Depending on your model you may have to remove a c clip for the models that have the folding seat. Once the bottom cushion is removed, remove the cushion from the seat bracket identified in (figure 2) by removing the 6 torx screws.

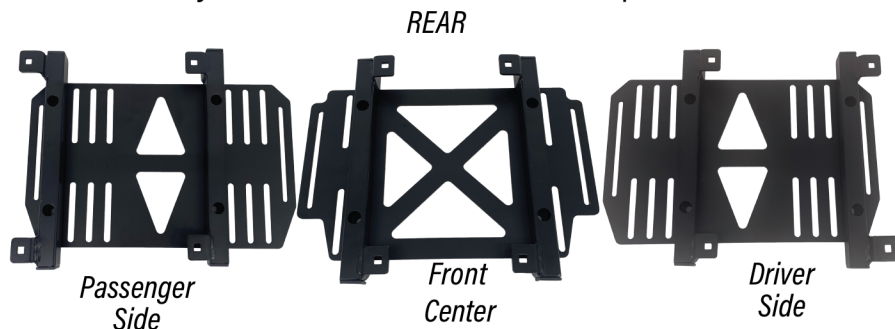


figure 1

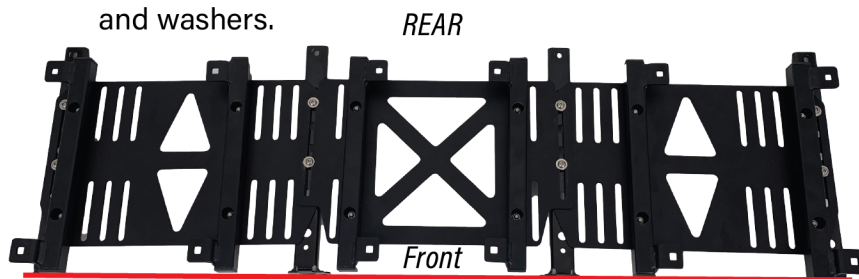


figure 2

STEP 2: Mount the square tubes to the included flat plates using the 1/4-20 bolts, washers, and nuts. The pictures below represent how each plate should be bolted together. The square tubes should be mounted evenly from the front and back of the plate.



STEP 3: Bolt the 3 plates together using the stock brackets that were bolted to the bottom of the stock seat cushions. The center will bolt above the driver and passenger side. Use the included 1/4-20 nuts and washers.



Mount the square tubes so it is even with the stock brackets

STEP 4: Mount the junior seats to the square tube brackets using the included carriage bolts, nuts, and washers.

STEP 5: Install the harnesses. Remove the 2 stock harness bars using a torx bit. (figure 3)



figure 3

STEP 5: Remove the bottom straps from the harnesses and mount them to the mounting location of the stock seat belts. The center seat will utilize the inside mounts for the passenger and driver side seat. (Figure 4)



figure 4

STEP 6: Mount the top of the harnesses. The outside seats will mount to the outside using the included nuts, bolts, and washers. The center seat will use the inside mounts of the passenger and driver side.



STEP 7: Once you have the harnesses installed you can now mount the junior seats using the stock hardware that held on the stock seats. This step will require 2 people to set the 3 junior seats into place. You may need to adjust the mounts slightly. Hand tighten each torx screw before tightening all of them.



WARNING:

This product can expose you to chemicals, which are known to the State of California to cause cancer. For more information, visit www.P65Warnings.ca.gov.

STEP 8: Slide the harnesses through the top and the bottom harness slots on the junior seats.



STEP 9: Adjust the harnesses accordingly for the individual that will be using the seats.

Warning

RACING IS DANGEROUS. INCIDENTS WILL OCCUR RESULTING IN INJURY AND DEATH. IN BEST CONDITIONS THIS PRODUCT MAY LIMIT TRAUMA. THIS PRODUCT WILL NOT PREVENT TRAUMA ASSOCIATED WITH RACING INCIDENTS. ONLY INSTALL OR USE THIS PRODUCT WITH THE GUIDANCE OF A CERTIFIED ENGINEER OR THE USERS SANCTIONING ORGANIZATION. REPLACE THIS PRODUCT AFTER ANY CRASH, FIRE OR ANY EVIDENCE OF WEAR TO ANY OF ITS MATERIALS OR COMPONENTS. USER IS RESPONSIBLE TO INSPECT THIS PRODUCT BEFORE EVERY USE. THIS PRODUCT IS DISTRIBUTED WITHOUT ANY WARRANTY. ACES RACING IS NOT LIABLE FOR ANY INCIDENTS

WARNING

It is the users responsibility to comply with local laws and regulations. This product shall be used for off-highway use only.