

FOLD-N-ROLL VILLA WALL™

Price Effective - January 1, 2022



FLEXIBLE AND VERSATILE SOLUTIONS

Flexible and versatile, the Fold-N-Roll Villa Wall allows you to easily reconfigure any room instantly. Add separation between tables, chairs or workstations, or create a collaboration or huddle areas by easily moving, folding or unfolding the hinged panels. When not needed, the Fold-N-Roll Villa Walls, simply folds closed for a compact storage solution.

Panel cores are available in a variety of widths, heights and materials to merge seamlessly with your current décor.

- Width measurement includes all 3 panels
- Hinge allows walls to fold up to 180°
- Locking casters allow for a secure configuration
- Walls can be folded to make multiple configurations
- Framework is constructed using lightweight aluminum extrusion
- Core materials include Frosted, Clear and Colored Acrylic, TruBrite™ Whiteboard, Fabric and acoustic EchoScape™
- Fold-N-Roll Villa Walls are available in custom sizes, core material and colors
- Made in the USA



How to build your SKU:

Step 1:
Choose your Model

2XF

Step 2:
Choose your Width and Height

9672

Step 3:
Choose your Frame Color

BK

Step 4:
Choose your Core Material (Left Panel)

LFRO

Step 5:
Choose your Core Material (Center Panel)

CF222

Step 6:
Choose your Core Material (Right Panel)

RA12

FOLD-N-ROLL VILLA WALL™

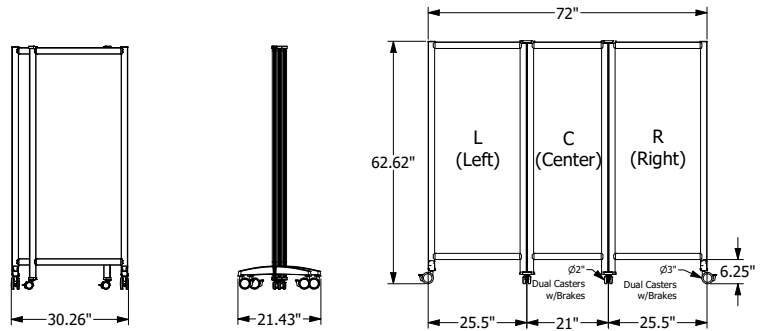
CORE MATERIALS

Model	Overall Width and Height (Includes 3 Panels)	Frame Color	Left Panel (L)	Center Panel (C)	Right Panel (R)
2XF Fold-N-Roll Villa Wall™	72x62	AA Satin Aluminum	FRO Frosted Acrylic	FRO Frosted Acrylic	FRO Frosted Acrylic
	72x72	BK Black	CLR Clear Acrylic	CLR Clear Acrylic	CLR Clear Acrylic
	96x62		WB TruBrite™ Whiteboard	WB TruBrite™ Whiteboard	WB TruBrite™ Whiteboard
	96x72		A1_ Colored Frosted Acrylic	A1_ Colored Frosted Acrylic	A1_ Colored Frosted Acrylic
	120x62		F1_ Fabric 100 Series	F1_ Fabric 100 Series	F1_ Fabric 100 Series
	120x72		F2_ Fabric 200 Series	F2_ Fabric 200 Series	F2_ Fabric 200 Series
	144x62		P1_ EchoScape™ 3/8" (9mm)	P1_ EchoScape™ 3/8" (9mm)	P1_ EchoScape™ 3/8" (9mm)
	144x72		P3_ EchoScape™ 3/4" (18mm)	P3_ EchoScape™ 3/4" (18mm)	P3_ EchoScape™ 3/4" (18mm)

FOLD-N-ROLL VILLA WALL™

72" W X 62" H

2XF-7262
Fold-N-Roll Villa Wall™



72" W X 62" H OVERALL

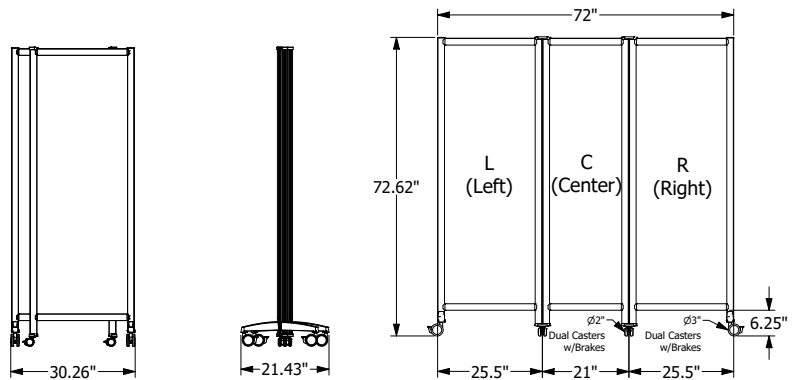
FRAME BASE PRICE (Includes Locking Casters)	\$1,950
---	----------------

CORE MATERIALS	Left Panel L	Center Panel C	Right Panel R
FROSTED ACRYLIC (FRO)	+\$270	+\$270	+\$270
CLEAR ACRYLIC (CLR)	+\$270	+\$270	+\$270
TRUBRITE™ WHITEBOARD (WB)	+\$295	+\$295	+\$295
COLORED FROSTED ACRYLIC (A1_)	+\$485	+\$485	+\$485
FABRIC 100 SERIES - (F1_)	+\$260	+\$260	+\$260
FABRIC 200 SERIES - (F2_)	+\$390	+\$390	+\$390
ECHOSCAPE™ 3/8" (9MM) - (P1_)	+\$185	+\$185	+\$185
ECHOSCAPE™ 3/4" (18MM) - (P3_)	+\$205	+\$205	+\$205

WEIGHT (FRAMES WITH CORES)	55 LBS
-----------------------------------	---------------

72" W X 72" H

2XF-7272
Fold-N-Roll Villa Wall™



72" W X 72" H OVERALL

FRAME BASE PRICE (Includes Locking Casters)	\$2,100
---	----------------

CORE MATERIALS	Left Panel L	Center Panel C	Right Panel R
FROSTED ACRYLIC (FRO)	+\$275	+\$275	+\$275
CLEAR ACRYLIC (CLR)	+\$275	+\$275	+\$275
TRUBRITE™ WHITEBOARD (WB)	+\$295	+\$295	+\$295
COLORED FROSTED ACRYLIC (A1_)	+\$490	+\$490	+\$490
FABRIC 100 SERIES (F1_)	+\$350	+\$350	+\$350
FABRIC 200 SERIES (F2_)	+\$525	+\$525	+\$525
ECHOSCAPE™ 3/8" (9MM) - (P1_)	+\$185	+\$185	+\$185
ECHOSCAPE™ 3/4" (18MM) - (P3_)	+\$315	+\$315	+\$315

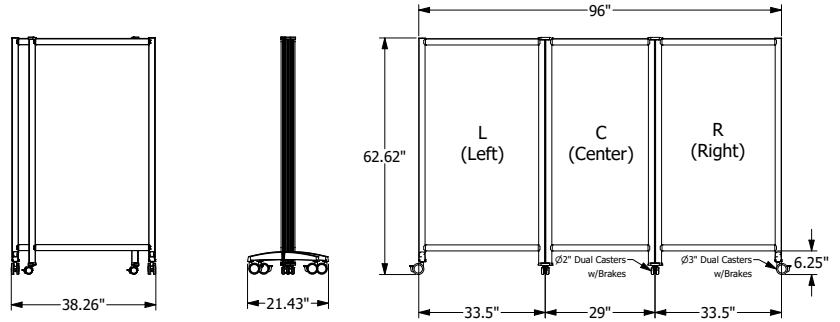
WEIGHT (FRAMES WITH CORES)	63 LBS
-----------------------------------	---------------

NOTE: All pricing in USD

FOLD-N-ROLL VILLA WALL™

96"W X 62"H

2XF-9662
Fold-N-Roll Villa Wall™



96" W X 62" H OVERALL

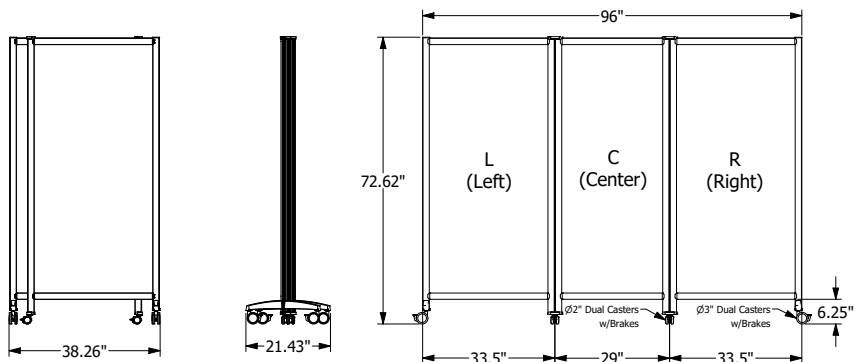
FRAME BASE PRICE (Includes Locking Casters)	\$2,145
---	----------------

CORE MATERIALS	Left Panel L	Center Panel C	Right Panel R
FROSTED ACRYLIC (FRO)	+\$485	+\$485	+\$485
CLEAR ACRYLIC (CLR)	+\$485	+\$485	+\$485
TRUBRITE™ WHITEBOARD (WB)	+\$575	+\$575	+\$575
COLORED FROSTED ACRYLIC (A1_)	+\$930	+\$930	+\$930
FABRIC 100 SERIES (F1_)	+\$375	+\$375	+\$375
FABRIC 200 SERIES (F2_)	+\$565	+\$565	+\$565
ECHOSCAPE™ 3/8" (9MM) - (P1_)	+\$360	+\$360	+\$360
ECHOSCAPE™ 3/4" (18MM) - (P3_)	+\$315	+\$315	+\$315

WEIGHT (FRAMES WITH CORES)	66 LBS
-----------------------------------	---------------

96"W X 72"H

2XF-9672
Fold-N-Roll Villa Wall™



96" W X 72" H OVERALL

FRAME BASE PRICE (Includes Locking Casters)	\$2,295
---	----------------

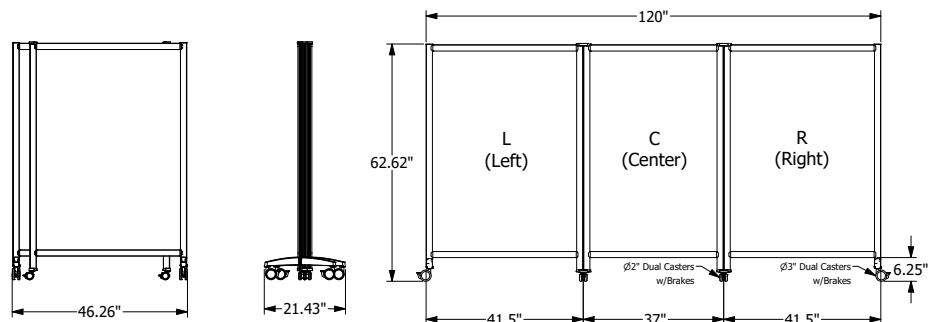
CORE MATERIALS	Left Panel L	Center Panel C	Right Panel R
FROSTED ACRYLIC (FRO)	+\$490	+\$490	+\$490
CLEAR ACRYLIC (CLR)	+\$490	+\$490	+\$490
TRUBRITE™ WHITEBOARD (WB)	+\$575	+\$575	+\$575
COLORED FROSTED ACRYLIC (A1_)	+\$935	+\$935	+\$935
FABRIC 100 SERIES (F1_)	+\$625	+\$625	+\$625
FABRIC 200 SERIES (F2_)	+\$940	+\$940	+\$940
ECHOSCAPE™ 3/8" (9MM) - (P1_)	+\$360	+\$360	+\$360
ECHOSCAPE™ 3/4" (18MM) - (P3_)	+\$625	+\$625	+\$625

WEIGHT (FRAMES WITH CORES)	75 LBS
-----------------------------------	---------------

NOTE: All pricing in USD

FOLD-N-ROLL VILLA WALL™

120"W X 62"H
2XF-12062
Fold-N-Roll Villa Wall™



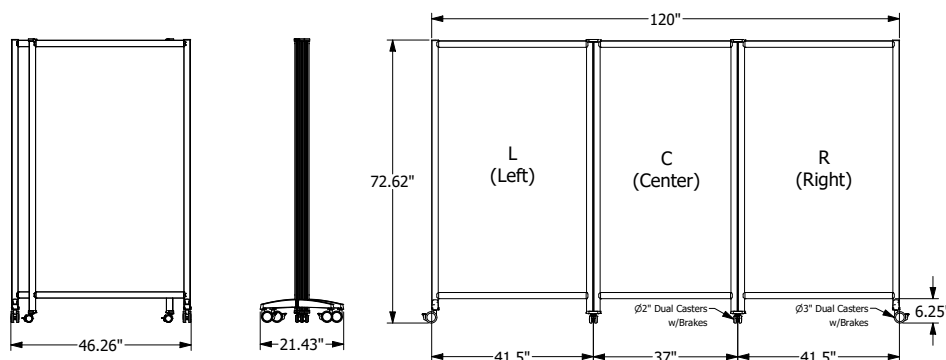
120" W X 62" H OVERALL

FRAME BASE PRICE (Includes Locking Casters)	\$2,280
---	----------------

CORE MATERIALS	Left Panel L	Center Panel C	Right Panel R
FROSTED ACRYLIC (FRO)	+\$490	+\$490	+\$490
CLEAR ACRYLIC (CLR)	+\$490	+\$490	+\$490
TRUBRITE™ WHITEBOARD (WB)	+\$575	+\$575	+\$575
COLORED FROSTED ACRYLIC (A1_)	+\$930	+\$930	+\$930
FABRIC 100 SERIES (F1_)	+\$425	+\$425	+\$425
FABRIC 200 SERIES (F2_)	+\$635	+\$635	+\$635
ECHOSCAPE™ 3/8" (9MM) - (P1_)	+\$360	+\$360	+\$360
ECHOSCAPE™ 3/4" (18MM) - (P3_)	+\$405	+\$405	+\$405

WEIGHT (FRAMES WITH CORES)	65 LBS
-----------------------------------	---------------

120"W X 72"H
2XF-12072
Fold-N-Roll Villa Wall™



120" W X 72" H OVERALL

FRAME BASE PRICE (Includes Locking Casters)	\$2,460
---	----------------

CORE MATERIALS	Left Panel L	Center Panel C	Right Panel R
FROSTED ACRYLIC (FRO)	+\$495	+\$495	+\$495
CLEAR ACRYLIC (CLR)	+\$495	+\$495	+\$495
TRUBRITE™ WHITEBOARD (WB)	+\$580	+\$580	+\$580
COLORED FROSTED ACRYLIC (A1_)	+\$935	+\$935	+\$935
FABRIC 100 SERIES (F1_)	+\$640	+\$640	+\$640
FABRIC 200 SERIES (F2_)	+\$965	+\$965	+\$965
ECHOSCAPE™ 3/8" (9MM) - (P1_)	+\$360	+\$360	+\$360
ECHOSCAPE™ 3/4" (18MM) - (P3_)	+\$625	+\$625	+\$625

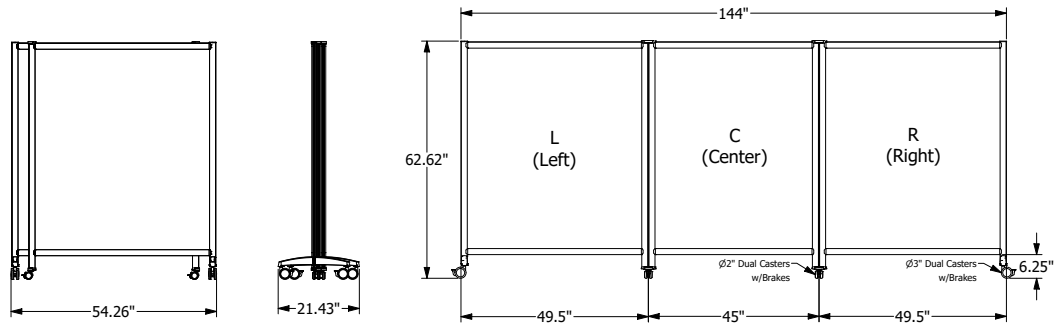
WEIGHT (FRAMES WITH CORES)	75 LBS
-----------------------------------	---------------

NOTE: All pricing in USD

FOLD-N-ROLL VILLA WALL™

144" W X 62" H

2XF-14462
Fold-N-Roll Villa Wall™

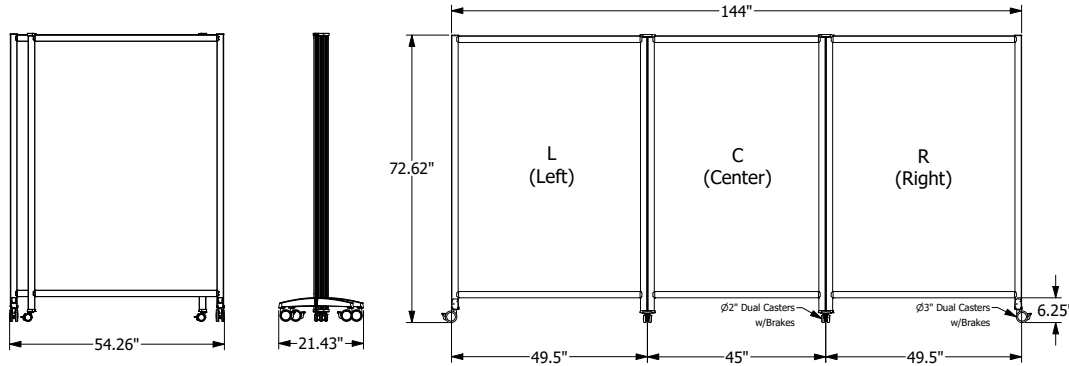


144" W X 62" H OVERALL

FRAME BASE PRICE (Includes Locking Casters)	\$2,445		
CORE MATERIALS	Left Panel L	Center Panel C	Right Panel R
FROSTED ACRYLIC (FRO)	+\$495	+\$495	+\$495
CLEAR ACRYLIC (CLR)	+\$495	+\$495	+\$495
TRUBRITE™ WHITEBOARD (WB)	+\$580	+\$580	+\$580
COLORED FROSTED ACRYLIC (A1_)	+\$935	+\$935	+\$935
FABRIC 100 SERIES (F1_)	+\$475	+\$475	+\$475
FABRIC 200 SERIES (F2_)	+\$715	+\$715	+\$715
ECHOSCAPE™ 3/8" (9MM) - (P1_)	+\$360	+\$360	+\$360
ECHOSCAPE™ 3/4" (18MM) - (P3_)	+\$405	+\$405	+\$405
WEIGHT (FRAMES WITH CORES)	73 LBS		

144" W X 72" H

2XF-14472
Fold-N-Roll Villa Wall™



144" W X 72" H OVERALL

FRAME BASE PRICE (Includes Locking Casters)	\$2,625		
CORE MATERIALS	Left Panel L	Center Panel C	Right Panel R
FROSTED ACRYLIC (FRO)	+\$500	+\$500	+\$500
CLEAR ACRYLIC (CLR)	+\$500	+\$500	+\$500
TRUBRITE™ WHITEBOARD (WB)	+\$580	+\$580	+\$580
COLORED FROSTED ACRYLIC (A1_)	+\$940	+\$940	+\$940
FABRIC 100 SERIES (F1_)	+\$655	+\$655	+\$655
FABRIC 200 SERIES (F2_)	+\$985	+\$985	+\$985
ECHOSCAPE™ 3/8" (9MM) - (P1_)	+\$360	+\$360	+\$360
ECHOSCAPE™ 3/4" (18MM) - (P3_)	+\$625	+\$625	+\$625
WEIGHT (FRAMES WITH CORES)	85 LBS		

NOTE: All pricing in USD

MATERIAL OPTIONS

ECHOSCAPE™ 3/8" (9MM)



Snow
P114



Oat
P116



Cocoa
P121



Sunflower
P111



Tangerine
P109



Ruby
P108



Aqua
P115



Pear
P103



Moss
P120



Spruce
P123



Sky
P117



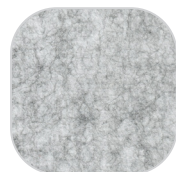
Denim
P118



Cobalt
P102



Midnight
P119



Iced Grey
P106



Ash
P100



Slate
P105



Charcoal
P101



Jet
P122

ECHOSCAPE™ 3/4" (18MM)



Oat
P316



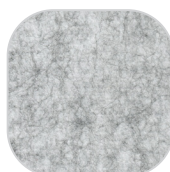
Sandstone
P304



Pear
P303



Cobalt
P302



Iced Grey
P306



Ash
P300

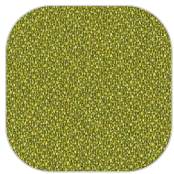


Slate
P305

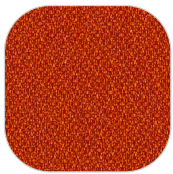


Charcoal
P301

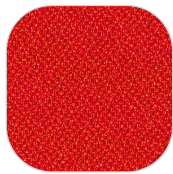
FABRICS 100 SERIES



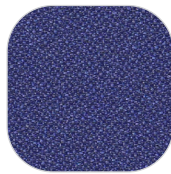
Gaia
F101



Mikan
F103



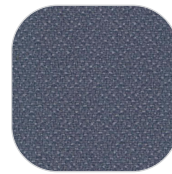
Poppy
F104



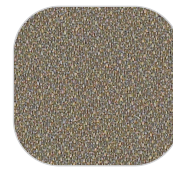
Euro
F102



Sapphire
F114



Sodalite
F108



Arundel
F112



Iron
F121



Stately
F113



Steel
F120



Basalt
F122



Jet
F123

FABRICS 200 SERIES



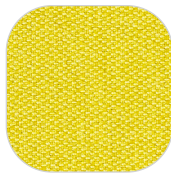
Barley
F210



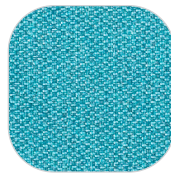
Sable
F211



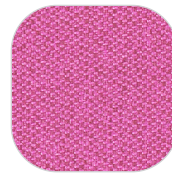
Java
F212



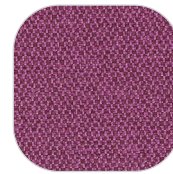
Lemongrass
F213



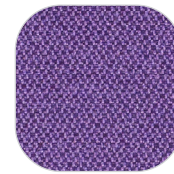
Rinse
F214



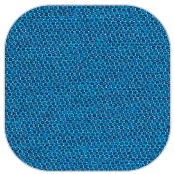
Radiant
F215



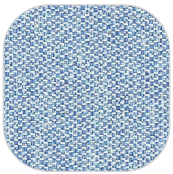
Tyrian
F216



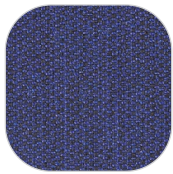
Hyacinth
F217



Capri
F218



Aster
F219



Beyond
F220



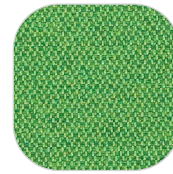
Stucco
F221



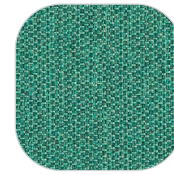
Aluminum
F222



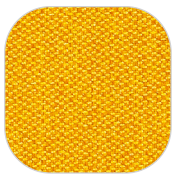
Dove
F223



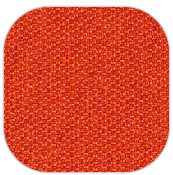
Links
F224



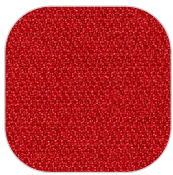
Atoll
F225



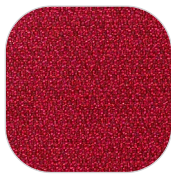
Maize
F226



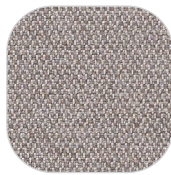
Papaya
F227



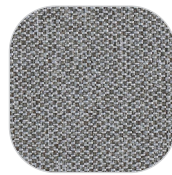
Macintosh
F228



Berry
F229



Gull
F230



Pewter
F231

FROSTED ACRYLICS



Frosted Acrylic
FRO



Dark Blue
A10



Light Blue
A11



Lime Green
A12



Moss Green
A13



Yellow
A14



Orange
A15



Red
A16



Pink
A17

DRY ERASE SURFACES



TruBrite™ Whiteboard
WB

FRAMES



Satin Aluminum
AA



Black
BK