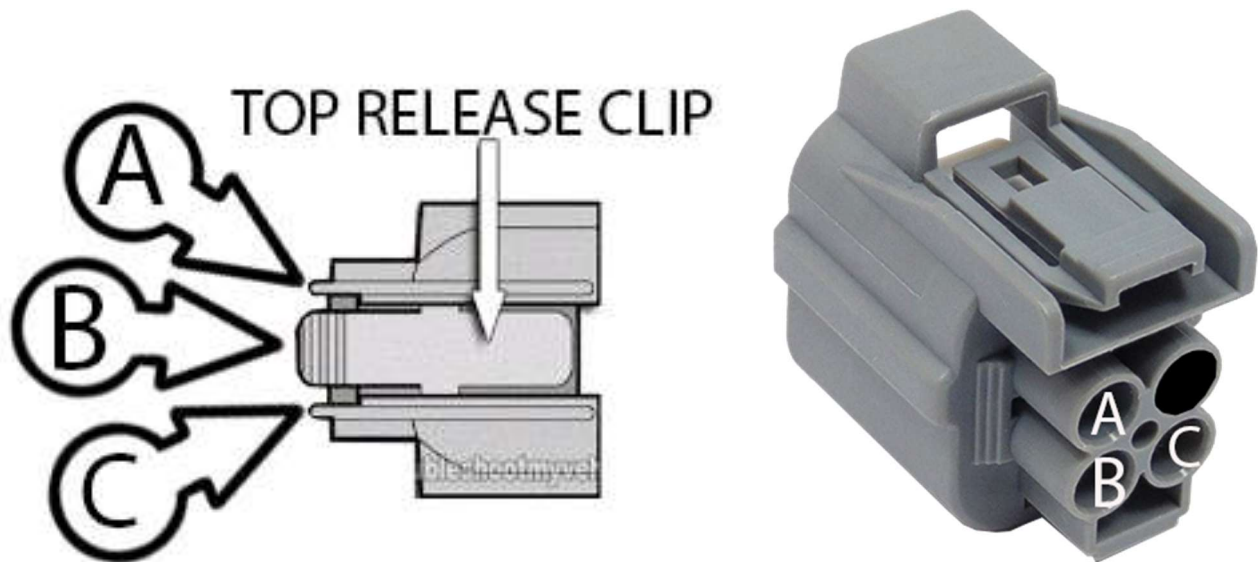


REVLIN

MUSTANG TPS ADAPTER INSTRUCTIONS

B-D-H-SERIES



1. REMOVE THE WHITE CLIP ON THE FRONT SIDE OF YOUR STOCK TPS CONNECTOR.
2. USING A PRECISION SCREW DRIVER LIGHTLY LIFT THE TERMINAL AND TUG ON THE WIRE, IT WILL THEN COME OUT OF THE BACK SIDE.
3. REMOVE THE WIRE AND REPLACE IT ONTO THE SUPPLIED CONNECTOR, IN ITS CORRESPONDING SLOT.
4. WIRE COLORS WILL VARY BASED ON THE BUILDER OF THE HARNESS THE FOLLOWING ARE THE OEM WIRE COLORS

	OBD1	OBD2A	OBD2B	CJs Wiring
A	GREEN/WHITE	GREEN/BLACK	GREEN/BLACK	BLACK
B	RED/BLACK	RED/BLACK	RED/BLACK	RED
C	YELLOW/WHITE	YELLOW/BLUE	YELLOW/BLUE	WHITE