

4

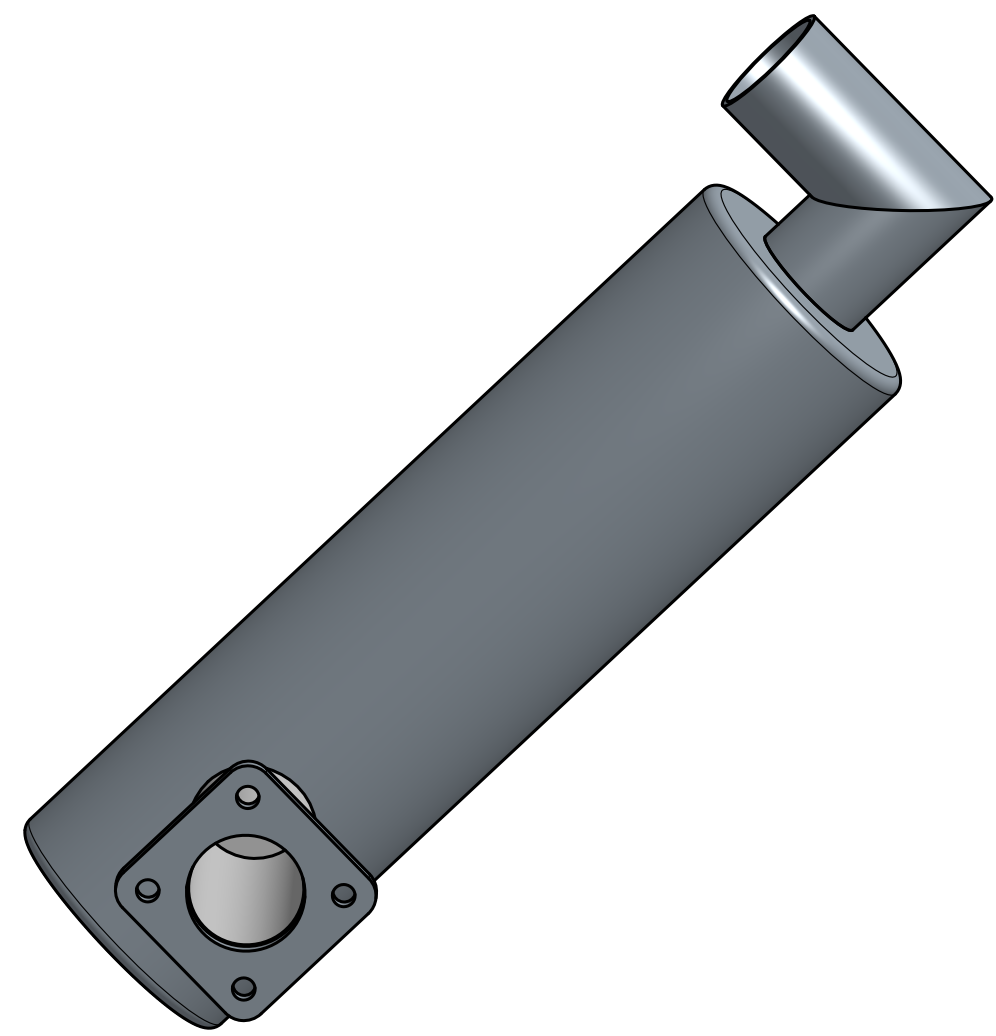
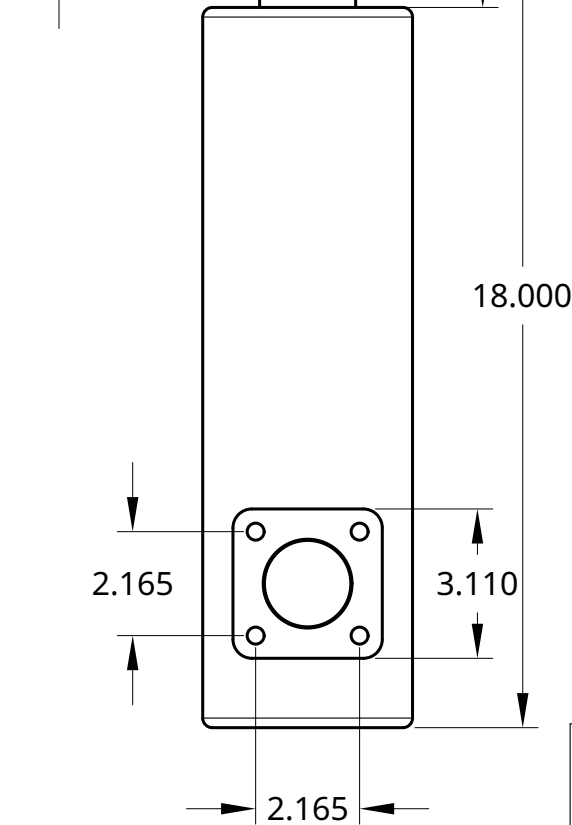
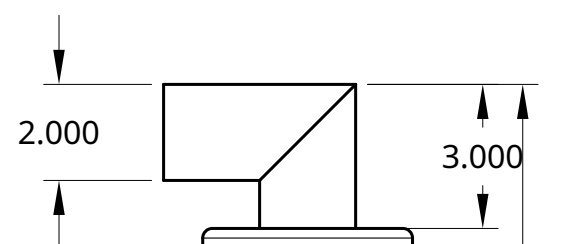
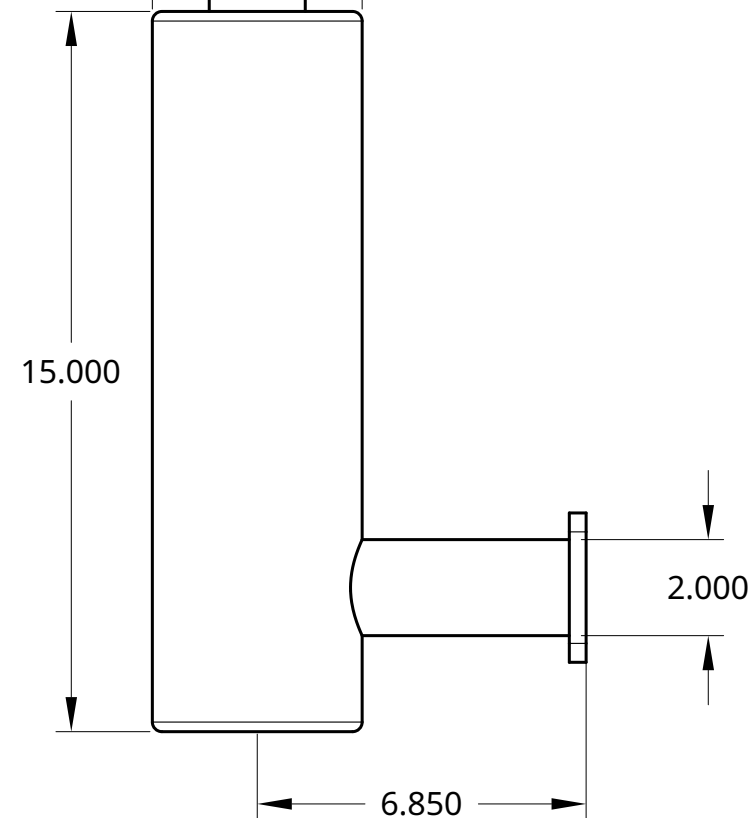
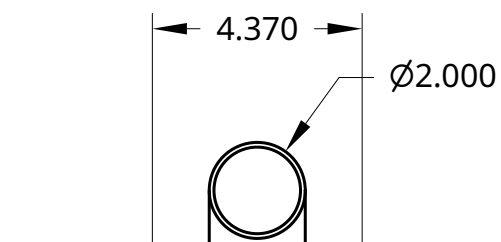
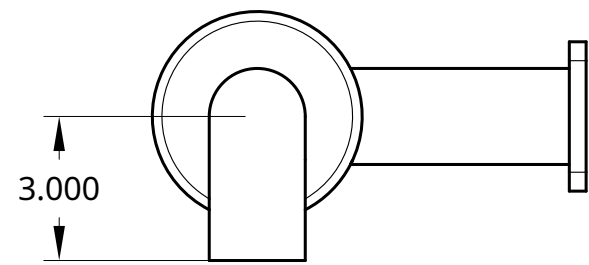
3

2

1

D

D



C

C

B

B

A

A

4

3

2

1

UNLESS OTHERWISE SPECIFIED,
DIMENSIONS ARE IN INCHES

.XX = ±.0- ANGULAR = ± °
.XXX = ±.00- FRACTIONAL = ±
.XXXX = ±.000-

SURFACE FINISH

DO NOT SCALE DRAWING

BREAK ALL SHARP EDGES AND
REMOVE BURRS

THIRD ANGLE PROJECTION

	NAME	DATE
DRAWN		04/13/2017
CHECKED		
APPROVED		
MATERIAL		FINISH

TITLE		Muffler for Perkins Caterpillar Engines Aurora Generators Inc.	
SIZE	DWG NO.	REV.	
B	V2.2	-	
SCALE	WEIGHT	SHEET	
1:4		1 of 1	