

8,000 Watt Diesel Generator

AGi-7P-1-240-OEM

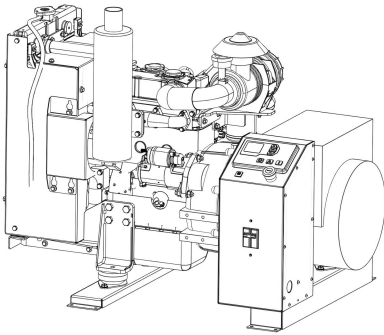
AURORA
Diesel Generators

STANDBY POWER RATING

8 KW , 8 KVA , 60 HZ.

PRIME POWER RATING

6 KW, 6 KVA, 60 HZ.



GENERAL SPECIFICATIONS

General Specifications	
Model	AGi7P-1-240-OEM
Type	Diesel Standby Generator
Power Rating	8,000 Watt (Standby) 7,000 Watt (Prime)
Standby Power Output	120 Volt @ 66 Amp 240 Volt @ 33 Amp
Outputs	120 Volt 15 Amp Duplex 5-15R 120 / 240 Volt 30 Amp Twist Lock L14-30 Main load terminal connections
Alternator	Brushless with Automatic Voltage Regulator
Engine	Perkins 402D-05G 2 Cylinder 0.5 Litres
Instrumentation	Illuminated Auto-Start Controller DynaGen TG350
Generator Dimensions	40" x 27" x 31"
Generator Weight	375 lb
Sound Level	< 68 dB @ 23 feet
Maintenance Intervals	Oil Changes - 500 Hours
Approvals	CSA / EPA

AURORA
Diesel Generators

AURORA GENERATORS INC
USA & Canada
195 PONY DRIVE #2 NEWMARKET ONTARIO L3Y 7B5
WEB: WWW.AURORAGENERATORS.COM
1-877-510-6807

8,000 Watt Diesel Generator

AGi-7P-1-240-OEM

AURORA
Diesel Generators

STANDBY POWER RATING

8 KW , 8 KVA , 60 HZ.

PRIME POWER RATING

6 KW, 6 KVA, 60 HZ.

STANDARD FEATURES

GENERAL

- Small Compact Design
- Powered by Perkins clean diesel engine
- Complete generator Instrumentation and control via an advanced generator controller
- Can be used full or part-time
- Available in different sizes and output configurations
- Compatible with all two-wire start systems

ENGINE

- Exhaust Silencer
- Oil Pressure Switch
- Coolant Temperature Switch
- Coolant Temperature Sensor
- Glow Plugs

COOLING SYSTEM

- Factory-Installed Radiator
- Uses ethylene glycol antifreeze
- Optional 120 VAC Engine Block Coolant Heater

ENGINE ELECTRICAL SYSTEM

- Starter Battery
- Battery charging alternator
- Battery cables
- Solenoid activated starter motor

ALTERNATOR SYSTEM

- UL / CSA Approved
- Brushless Excitation
- Sealed Bearings
- Class H insulation
- Voltage Regulator
- Main Circuit Breaker

GENERATOR CONSTRUCTION

- All stainless steel fasteners
- Genset mounted on vibration isolators

AURORA
Diesel Generators

AURORA GENERATORS INC
USA & Canada
195 PONY DRIVE #2 NEWMARKET ONTARIO L3Y 7B5
WEB: WWW.AURORAGENERATORS.COM
1-877-510-6807

8,000 Watt Diesel Generator

AGi-7P-1-240-OEM



STANDBY POWER RATING

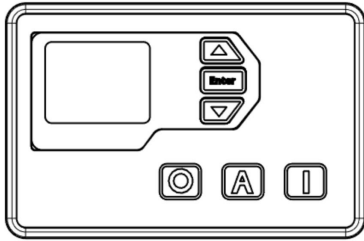
8 KW , 8 KVA , 60 HZ.

PRIME POWER RATING

6 KW, 6 KVA, 60 HZ.

CONTROL SYSTEM

FEATURES



- Clear generator instrumentation, protection and control
- Easy to use in manual or automatic modes
- Designed for harsh conditions with extreme shock and vibration
- 150 Event Log
- Programmable Exerciser
- Maintenance Counter
- Passcode Protected
- Automatic shutdowns and warnings
- Pre-heat and post-heat timers
- Fuel Level
- Oil Pressure
- Engine Temperature
- Frequency

- Engine Speed | RPM
- Fuel Level
- Voltage
- Current (optional)
- Load Balance
- Programmable setpoint warnings, alarms levels and sensor trim feature
- Programmable low battery auto start / exercise
- 2-Wire start compatible
- Computer programmable via USB Port Year Manufacturer Warranty
- TG410 Model Includes - CANBUS J1939 and MODBUS data

ALARMS

- 150 Event Log
- Alarms and Warning Logging
- Programmable Low Pressure Shutdown
- Programmable Coolant Temperature Shutdown
- Coolant Level
- Engine Speed
- Battery Voltage Warning
- Alarms & warnings time and date stamped
- Alarms

CONTROLLER SPECIFICATIONS

Model	DynaGen TG350
Operating Voltage	5.5 to 38 Volts DC Cranking dropouts to 0 VDC for 50 ms Also meets SAEJ113-11
Standby current draw	50 ma
Protection	Reverse battery and overload protected
Operating Temperature	-40c - 70c (-40 - +150 F)
Vibration and Shock	SAEJ1455
Electromagnetic Compatibility	Meets or exceeds MIL-STD-461E Conducted Emissions
Configurable Switched Inputs	5
Configurable Switched Outputs	4
Warranty	5 Years



AURORA GENERATORS INC
USA & Canada
195 PONY DRIVE #2 NEWMARKET ONTARIO L3Y 7B5
WEB: WWW.AURORAGENERATORS.COM
1-877-510-6807

8,000 Watt Diesel Generator

AGi-7P-1-240-OEM

AURORA
Diesel Generators

STANDBY POWER RATING

8 KW , 8 KVA , 60 HZ.

PRIME POWER RATING

6 KW, 6 KVA, 60 HZ.

CONTROL PANEL

- Compact control panel with sloped face
 - DynagGen auto start generator controller
 - Two-wire start compatible
 - Main circuit breaker
 - Lockout key switch
 - Ground terminal block
 - Alarm and run signal out
-

GENERATOR OPTIONS

ENGINE OPTIONS

- Battery charger 1 Amp
- Battery charger 4 Amp
- Block heater 400 watt
- Spare filters
- Battery disconnect switch

GENERATOR SET

- Remote monitoring and control (cellular based)
- Load center

AURORA
Diesel Generators

AURORA GENERATORS INC
USA & Canada
195 PONY DRIVE #2 NEWMARKET ONTARIO L3Y 7B5
WEB: WWW.AURORAGENERATORS.COM
1-877-510-6807

8,000 Watt Diesel Generator

AGi-7P-1-240-OEM

AURORA
Diesel Generators

STANDBY POWER RATING

8 KW , 8 KVA , 60 HZ.

PRIME POWER RATING

6 KW, 6 KVA, 60 HZ.

ENGINE SPECIFICATIONS

ENGINE SPECIFICATIONS	
Make	Perkins
Model	402D-05G
Number of cylinders	2
Engine Speed	3600 RPM
Engine Power	13 bhp
Typical Generator Output Prime	7.6 kWe (net)
Typical Generator Output Standby	8.3 kWe (net)
Cycle	Four stroke
Induction system	Naturally aspirated
Compression Ratio	23.5:1
Bore	67 mm (2.64 inch)
Stroke	22 mm (0.87 inch)
Cubic capacity	0.57 L (34.8 in ³)
Direction of rotation	Anti Clockwise when viewed from flywheel
Firing order	1,2
Estimated total weight of Electropak (dry)	57 kg 125.7 lbs
Maintenance	Oil Changes 500 Hours
Starter Motor	12 volt
Alternator	14 amp DC
Cooling System	Water cooled
Total coolant capacity	2.5 liters 0.66 gallons
Total lubrication capacity	2.0 liters 0.53 gallons
ENGINE PERFORMANCE	Note: All data based on operation to ISO 3046-1:2002 standard reference conditions
Speed variation at constant load	± 0,5%
Test conditions - air temperature	25 °C
Test conditions - barometric pressure	100 kPa
Relative humidity	31.5%
Air inlet restriction at maximum power (nominal)	3 kPa
Exhaust back pressure at maximum power (nominal)	10.2 kPa
Fuel temperature (inlet pump)	40 °C

AURORA
Diesel Generators

AURORA GENERATORS INC
USA & Canada
195 PONY DRIVE #2 NEWMARKET ONTARIO L3Y 7B5
WEB: WWW.AURORAGENERATORS.COM
1-877-510-6807

8,000 Watt Diesel Generator

AGi-7P-1-240-OEM



STANDBY POWER RATING

8 KW , 8 KVA , 60 HZ.

PRIME POWER RATING

6 KW, 6 KVA, 60 HZ.

Sound Level Average sound pressure level for bare engine - WITHOUT inlet and exhaust or canopy enclosure at 1 metre	79 dB(A)
All ratings certified to within	± 5%
<i>If the engine is to operate in ambient conditions other than those of the test conditions, suitable adjustments must be made for these changes. For full details, contact Perkins Technical Service Department. Emissions Statement: Certified against the requirements of EU2007 (EU97/68/EC Stage II) and EPA Interim Tier 4 (EPA 40 CFR Part 1039 Interim Tier 4) legislation for nonroad mobile machinery, powered by constant speed engines</i>	
Prime power rating is the maximum power accessible at the variable load for an unlimited number of hours per year in a variable load setting Standby Power rating is the maximum power available. No overload is permitted. Average variable load factor is 70% Continuous Power is the non-varying load for an unlimited number of hours.	

ALTERNATOR SPECIFICATIONS

Specifications	
Model	SMF162C
Type	Brushless 2 pole
Phase	Single
Voltage Output	120 / 240 Volt
Rated Output - Standby	12 kW
Frequency	60 Hz @ 3600 RPM
Flange	SAE 5
Felex Plate	SAE 6.5
Efficiency	68.1 %
Insulation	Class H
Voltage Regulation AVR Model VR301	± 0.5% Regulation
THD	No load < 1.5 %
Altitude	<= 1000 meters 3281 feet
Winding Pitch	2/3
Protection	IP23
Weight	165.3 kG 364.5 lb
Voltage Regulation	± 0.5%
Insulation	Class H
Warranty	5 Years
Approvals	I EC60034, NEMA MG1-32, IS08528, CSA C22.2-100, VDE 0530, GB755
<i>Ratings based on 60Hz / 1800RPM / 40°C / PF 0.8</i>	



AURORA GENERATORS INC
 USA & Canada
 195 PONY DRIVE #2 NEWMARKET ONTARIO L3Y 7B5
 WEB: WWW.AURORAGENERATORS.COM
 1-877-510-6807

8,000 Watt Diesel Generator

AGi-7P-1-240-OEM

AURORA
Diesel Generators

STANDBY POWER RATING

8 KW , 8 KVA , 60 HZ.

PRIME POWER RATING

6 KW, 6 KVA, 60 HZ.

ALTERNATOR | E1X13SB/2

SPECIFICATIONS	
Model	E1X13S B/2
Type	2 pole
Control System	self-excited
Execution	brushless
Phase	Single
Voltage Output	120 / 240 Volt
Rated Output - Standby	12.5 kW
Frequency	60 Hz @ 3600 RPM
Flange	SAE 5
Felex Plate	SAE 6.5
Efficiency	74.6 %
Insulation	Class H
Voltage Regulation AVR Model VR301	± 1.0 % Regulation
THD	No load < 1.5 %
Altitude	<= 1000 meters 3281 feet
Winding Pitch	2/3
Protection	IP21
Weight	66 kG 145.5 lb
Voltage Regulation	± 0.5%
Insulation	Class H
Overload	110% of rated power for one hour / 6 hours
R.F.I Suppression	Standard EN55011
Warranty	5 Years
Approvals	I EC60034, NEMA MG1-32, IS08528, CSA C22.2-100, VDE 0530, GB755
<i>Ratings based on 60Hz / 1800RPM / 40°C / PF 0.8</i>	

AURORA
Diesel Generators

AURORA GENERATORS INC
USA & Canada
195 PONY DRIVE #2 NEWMARKET ONTARIO L3Y 7B5
WEB: WWW.AURORAGENERATORS.COM
1-877-510-6807

8,000 Watt Diesel Generator

AGi-7P-1-240-OEM

AURORA
Diesel Generators

STANDBY POWER RATING

8 KW , 8 KVA , 60 HZ.

PRIME POWER RATING

6 KW, 6 KVA, 60 HZ.

GENERATOR FUEL CONSUMPTION RATES

FUEL CONSUMPTION	
Standby	2.5 l/hr 0.67 gallons/hr
Prime Power	2.19 l/hr 0.58 gallons/hr
50% power	1.14 l/hr 0.30 gallons/hr

FUEL TANK - (optional)

SPECIFICATIONS	
Type	Aluminum
Design	Welded Construction
Approval	Non-regulated < 12 gallon (Optional UL / ULc sub base tanks available)
Components	Stainless Steel Fasteners Fuel Level Sensor Fuel Level Gauge Fuel Cap and Vent Priming Bulb Supply and Return Lines
Weight	15 lbs

*All ratings and specifications are subject to change.

DEFINITIONS

Standby - Applicable for a varying emergency load for the duration of a utility power outage with no overload capability.

Prime - Applicable for supplying power to a varying load in lieu of utility for an unlimited amount of running time. A 10% overload capacity is available for 1 out of every 12 hours.

Published - April 2018

AURORA
Diesel Generators

AURORA GENERATORS INC
USA & Canada
195 PONY DRIVE #2 NEWMARKET ONTARIO L3Y 7B5
WEB: WWW.AURORAGENERATORS.COM
1-877-510-6807